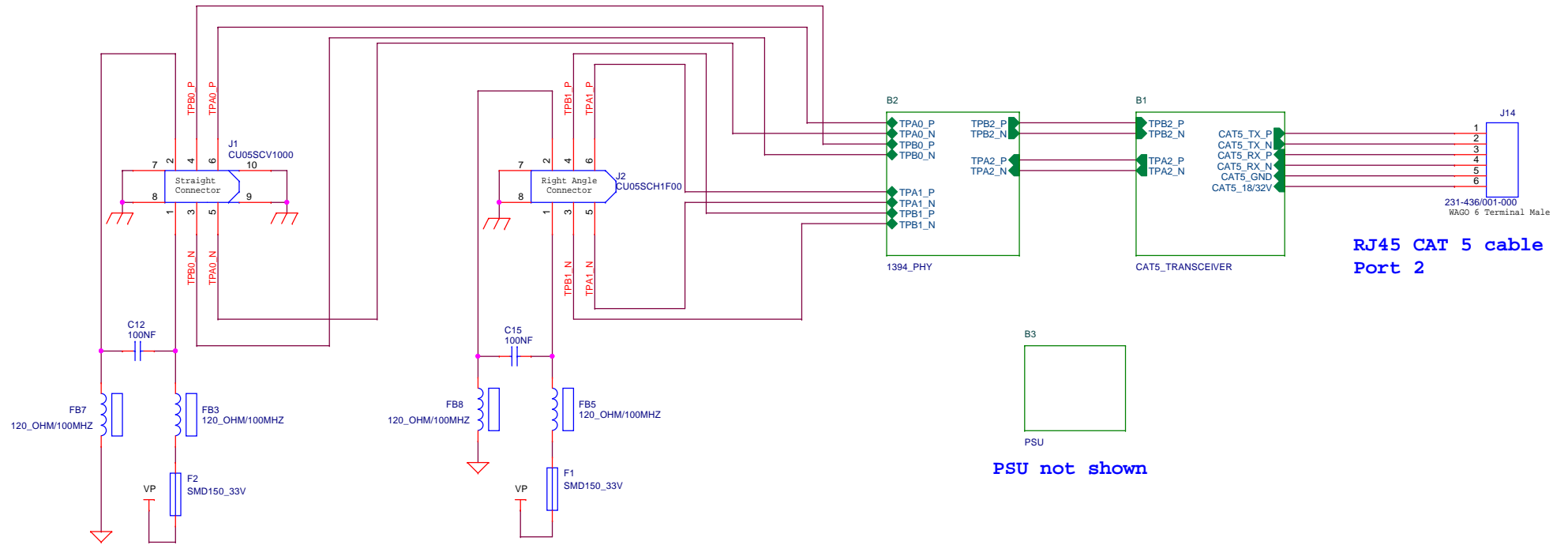


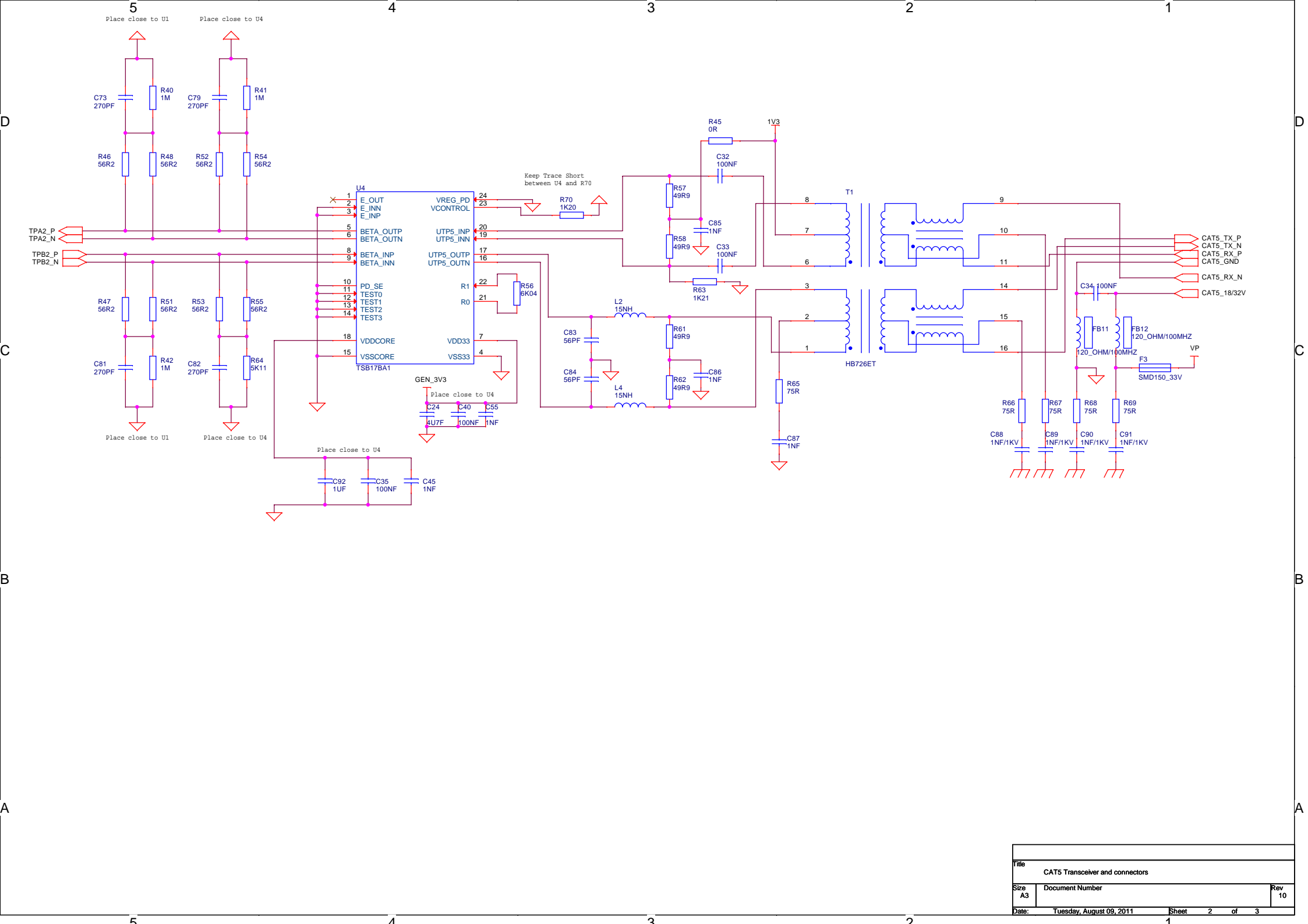
Port 1 & Port 0 normal 1394 ports



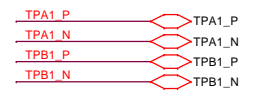
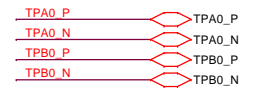
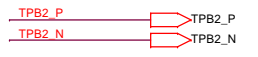
RJ45 CAT 5 cable
Port 2

PSU not shown

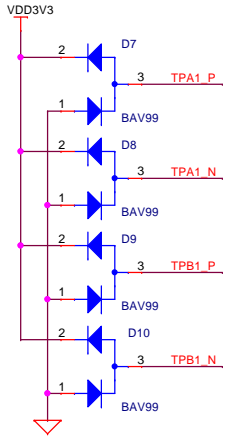
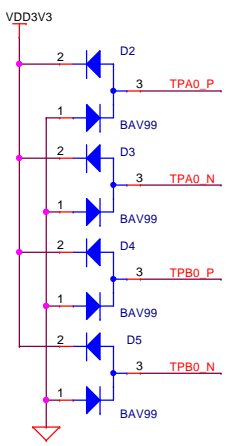
Title		
TOP SHEET		
Size	Document Number	Rev
A3		10
Date:	Tuesday, August 09, 2011	Sheet 1 of 3



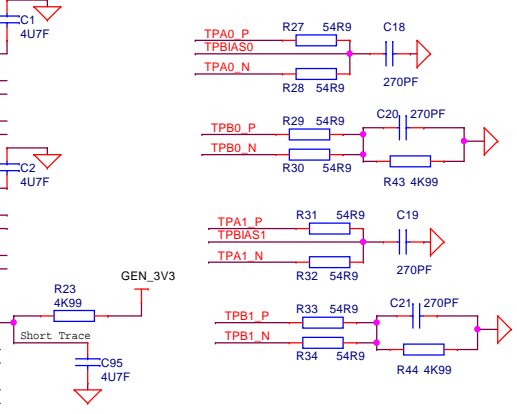
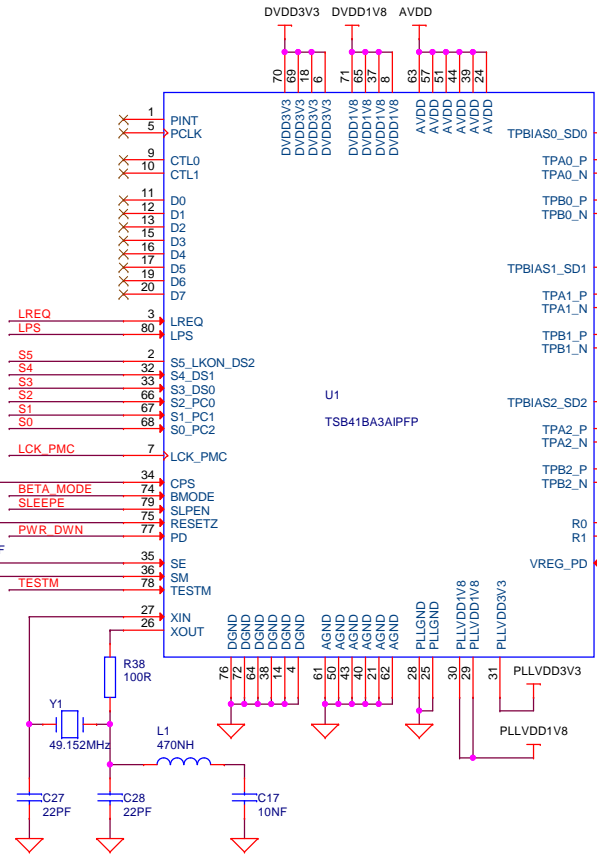
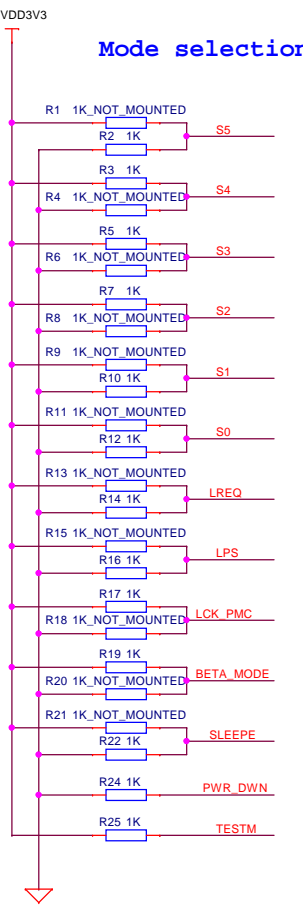
Title		
CAT5 Transceiver and connectors		
Size A3	Document Number	Rev 10
Date:	Tuesday, August 09, 2011	Sheet 2 of 3



ESD for the ports



Mode selection



Title		
1394 PHY		
Size	Document Number	Rev
A3		10
Date:	Tuesday, August 09, 2011	Sheet 3 of 3