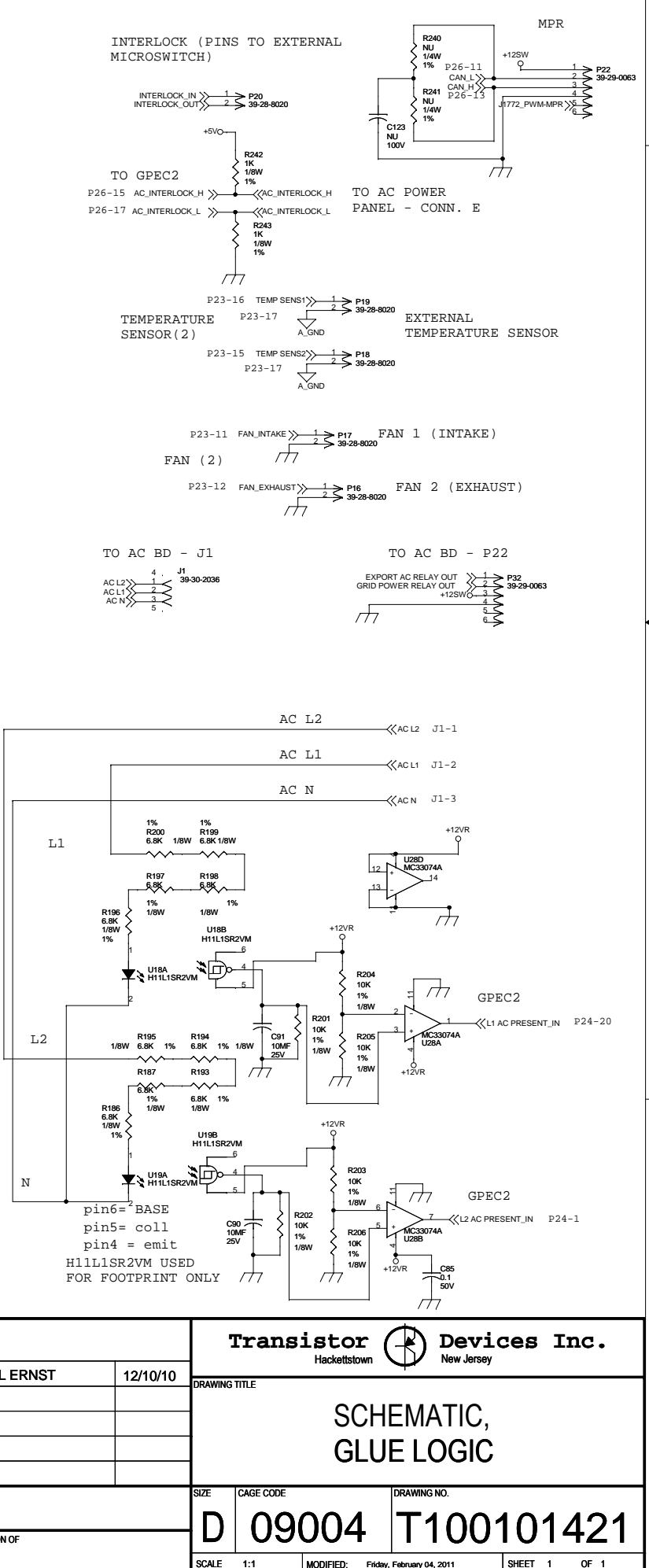
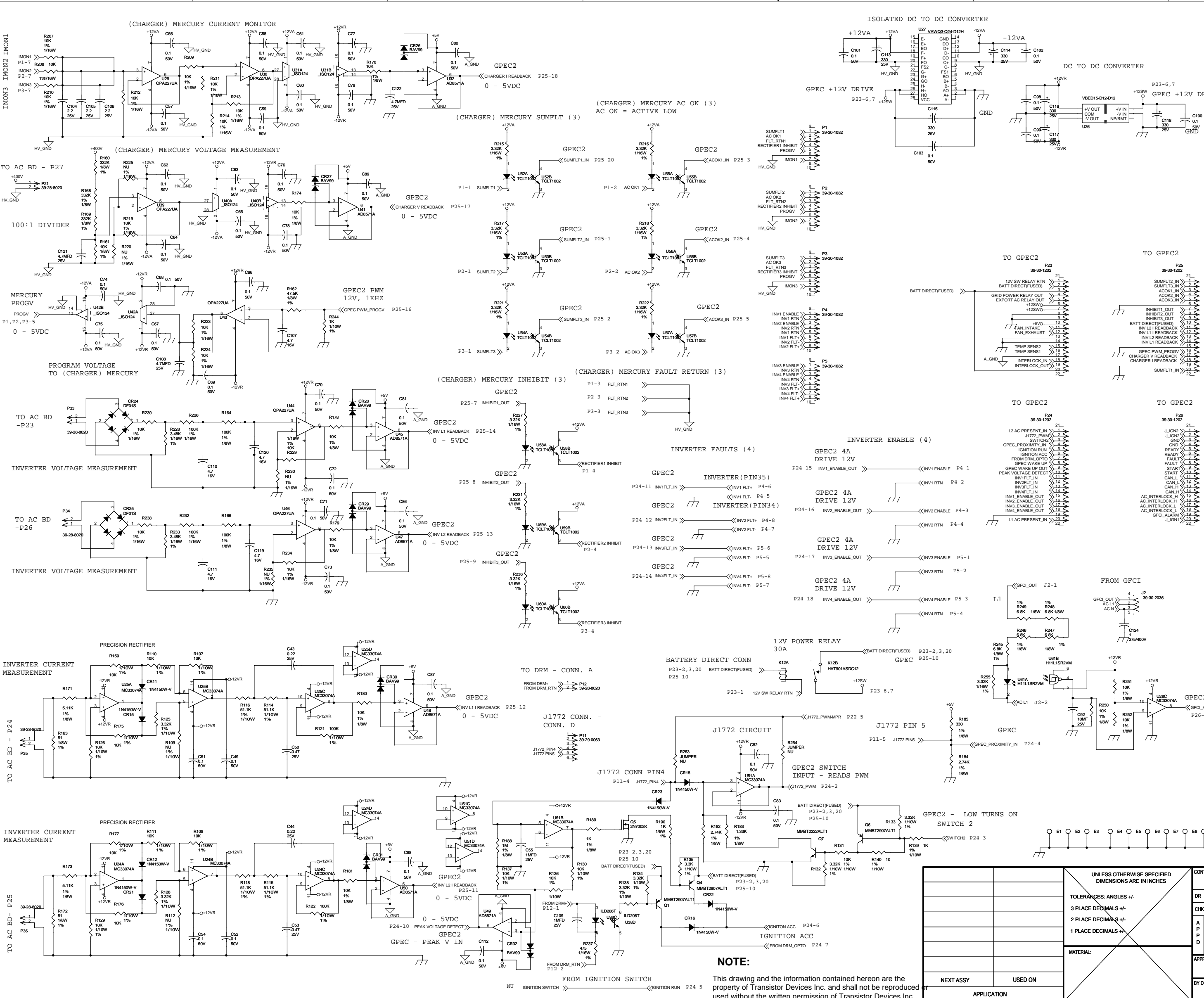


REVISIONS				
ZONE	LTR	DESCRIPTION	DATE	APPROVED
	P1	PRELIMINARY RELEASE	12-13-10	B. ERNST
	P2	updates per 12-17-10 call, add connectors	12-20-10	B. ERNST
	P3	updates per 12-21-10 call, add AC detect ckt, added buffer to peak detect, chg +5v chassis gnd to analog gnd	12-22-10	B. ERNST
	P4	REMOVE 'AC COMPONENTS' TO AC BD, Modify connectors	12-29-10	B. ERNST
	P5	add resistors R109, R112, R138, R139	1-2-11	B. ERNST
	P6	change connection of R138, R139, change optos, update component values, add R238, R239	1-4-11	B. ERNST
	P7	change C108, R174, ADD C121, C122, R230 & R220 not used, remove CR13, move connection to R138 & R139, R12 coil, & battery direct. Update pinout on P23-P25 to reflect PCB footprint.	1-10-11	B. ERNST
	P8	R237 WAS 475	1-16-11	B. ERNST
	P9	ADD R240, R241, R253, R254, C123 AS NU! ADD R140, R242, R243, R244, R245-R252, R255, J2, C52, C124, U81, R237 WAS 10. ADD CKT DESTINATIONS, FIX PIN INFO P23-P25.	2-4-11	B. ERNST



NOTE:
This drawing and the information contained hereon are the property of Transistor Devices Inc. and shall not be reproduced used without the written permission of Transistor Devices Inc.

CONTR. NO.		DR. BILL ERNST		DATE 12/10/10	
OK		A		P	
APPROVED		BY DIRECTION OF		SCALE 1:1	
NEXT ASSY		USED ON		APPLICATION	
UNLESS OTHERWISE SPECIFIED DIMENSIONS ARE IN INCHES		TOLERANCES: ANGLES +/-		3 PLACE DECIMALS +/-	
				2 PLACE DECIMALS +/-	
				1 PLACE DECIMALS +/-	
MATERIAL:		DRAWING TITLE		SHEET 1 OF 1	
		SCHEMATIC, GLUE LOGIC		MODIFIED: Files, February 04, 2011	
		SITE: CAGE CODE		DRAWING NO. T100101421	
		D 09004			