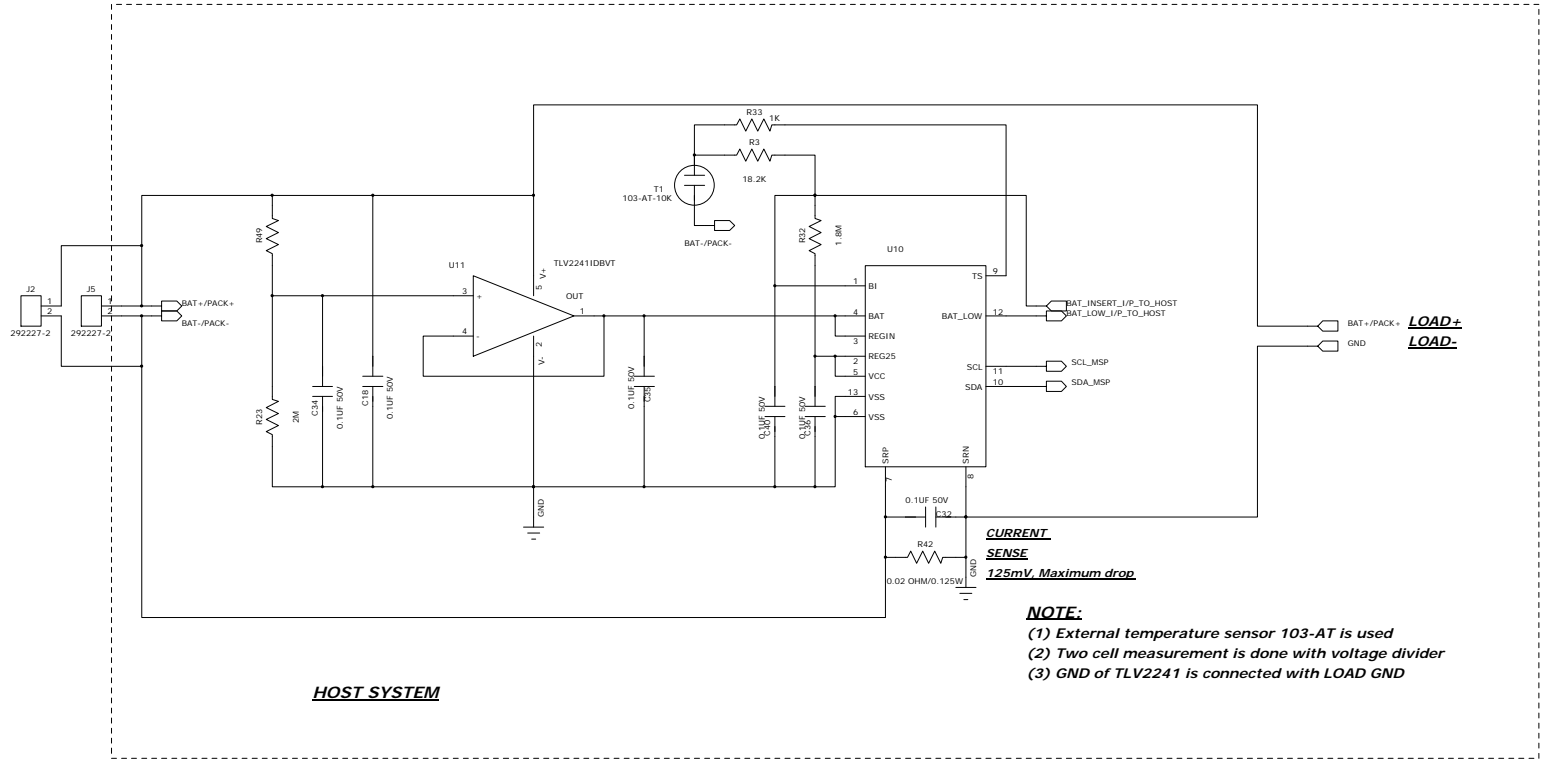


REVISION RECORD			
LTR	ECO NO:	APPROVED:	DATE:



HOST SYSTEM

**CURRENT SENSE**  
**125mV, Maximum drop**

- NOTE:**
- (1) External temperature sensor 103-AT is used
  - (2) Two cell measurement is done with voltage divider
  - (3) GND of TLV2241 is connected with LOAD GND

# SYSTEM/HOST SIDE BATTERY GAUGE

COMPANY:			
TITLE: <b>Door Lock_1.2_G</b>			
CODE:	SIZE:	DRAWING NO:	REV:
<b>C</b>	<b>BATTERY GAUGE</b>		<b>A</b>
SCALE:			SHEET: 1 of 1

DRAWN:	DATED:
CHECKED:	DATED:
QUALITY CONTROL:	DATED:
RELEASED:	DATED: