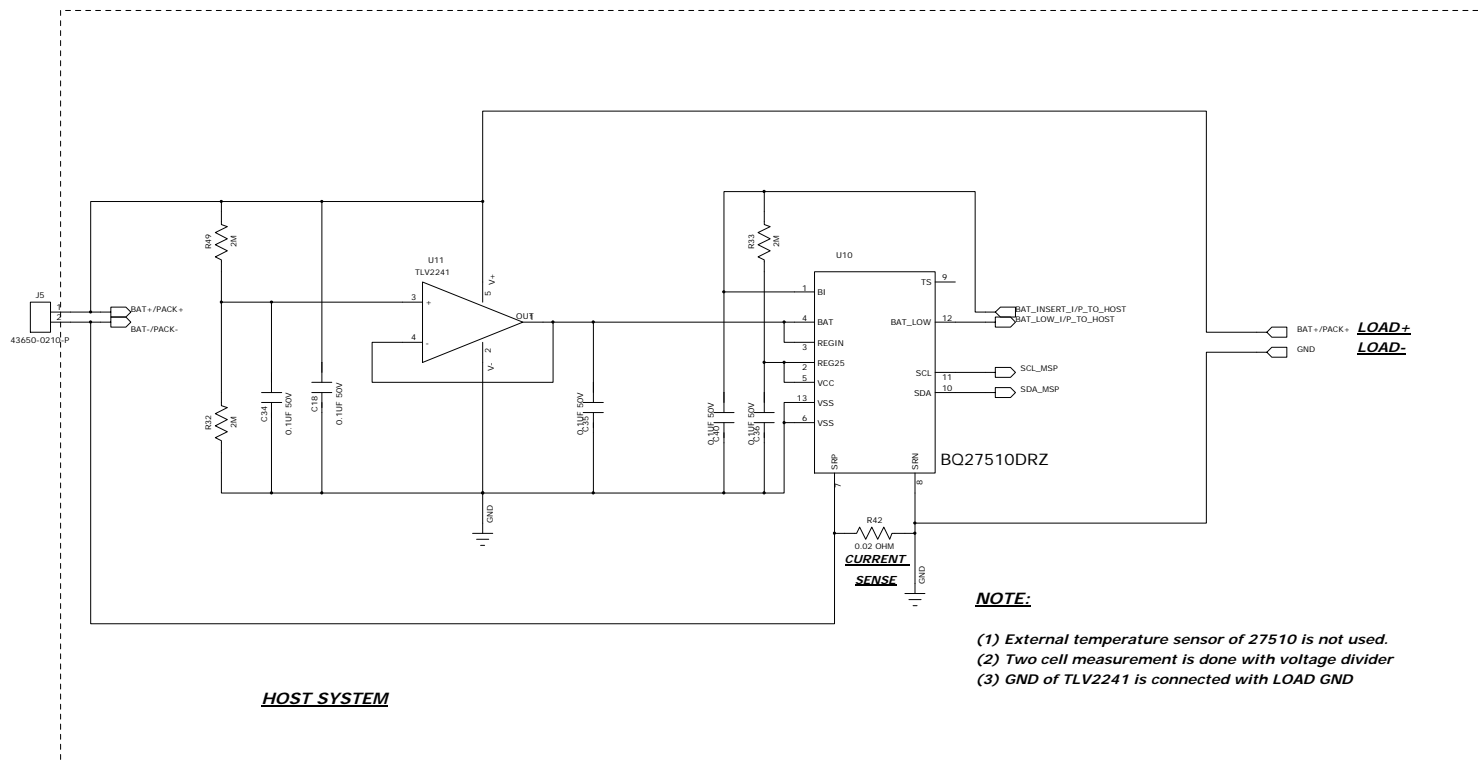
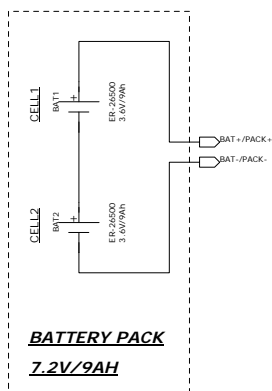


REVISION RECORD			
LTR	ECO NO:	APPROVED:	DATE:



- NOTE:**
- (1) External temperature sensor of 27510 is not used.
 - (2) Two cell measurement is done with voltage divider
 - (3) GND of TLV2241 is connected with LOAD GND

SYSTEM/HOST SIDE BATTERY GAUGE

COMPANY:			
TITLE: system side battery gauge			
DRAWN:	DATED:	CODE:	SIZE:
CHECKED:	DATED:	DRAWING NO:	
QUALITY CONTROL:	DATED:	C	BATTERY GAUGE
RELEASED:	DATED:	REV: A	
SCALE:			SHEET: 1 of 1