

1 Connection & Wiring

1-1 Power Supply and GND

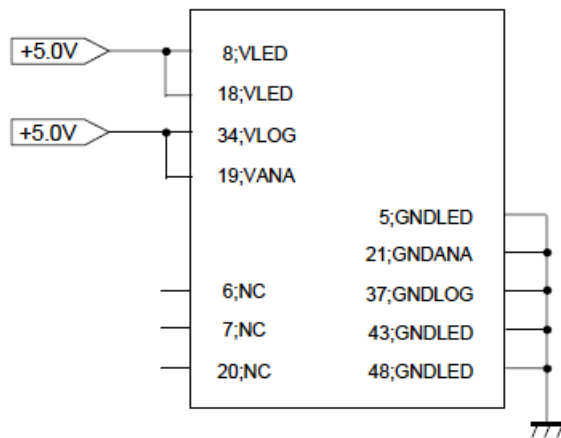
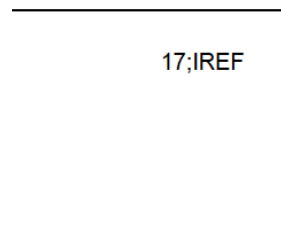


Fig1.Power Supply and GND

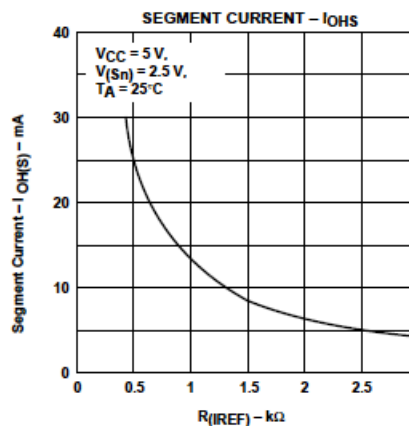
1-2 How to decide segment current of output



Segment current of output are decided by external resistor (Pin#17; IREF). Register connected between IREF and GND. See Fig2.

And relation of segment current and resistor are showed on Fig3.

Fig2.IREF connection



$$I_{OH(S)} = \frac{V_{REF}}{R_{(IREF)}} \times 10$$

Fig3.IREF vs Segment current (*Datasheet page6)

TLC5920 Operation Manual

How to connect LED

Anode of LED connect to segment pin and cathode connect common pin.

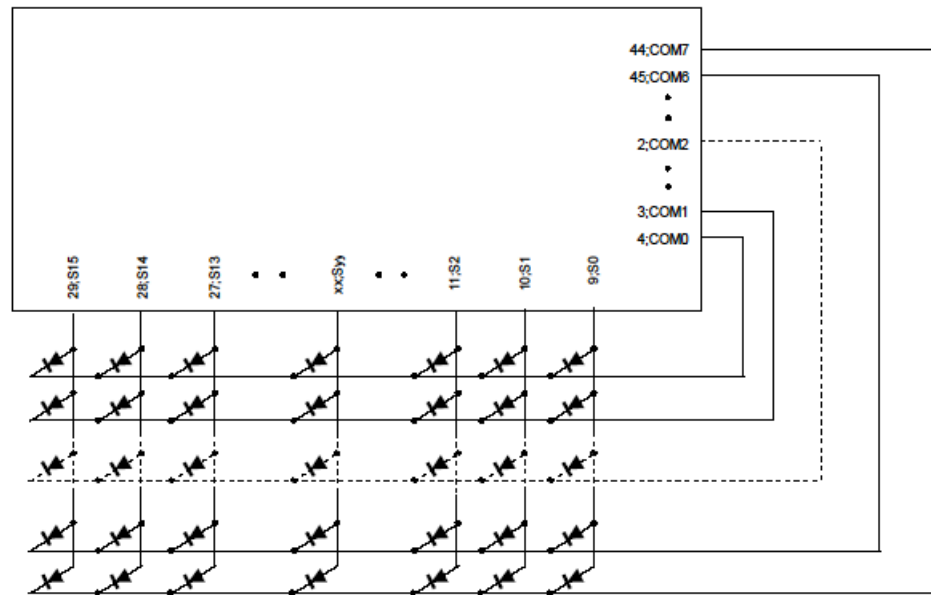


Fig4. LED connection

TLC5920 Operation Manual

How to turn on for target LED

When you want to turn on for target LED, you must consider segment line and com line. In case of Fig5, you must turn on for target LED, You must turn on "S0" and "COM0".

And in case of Fig6, turn on "S0", "S1", "S14", "S15" and "COM0". In case of Fig7, turn on "S1", "S13" and "COM6".

 ;current

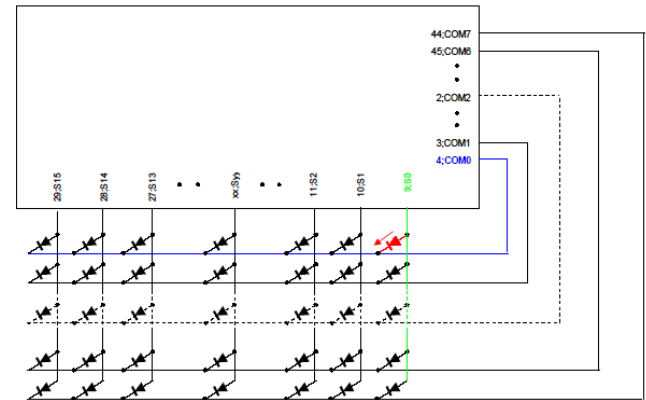


Fig5.Case1(turn on)

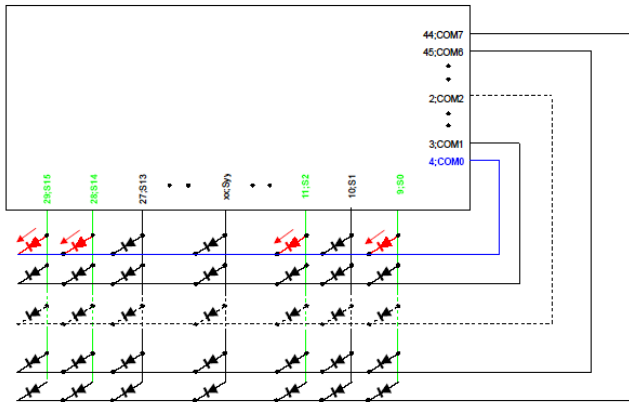


Fig6.Case2(turn on)

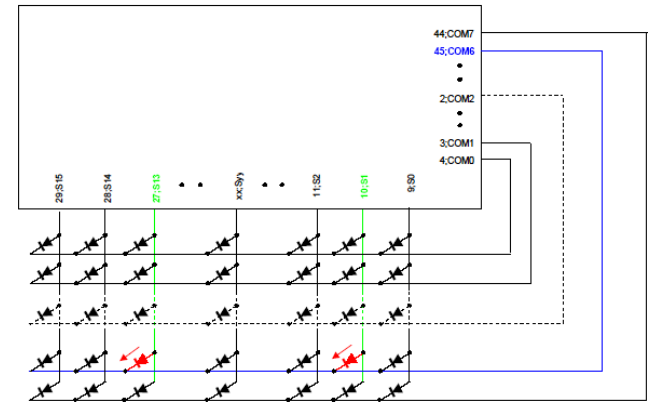


Fig7.Case3(turn on)

TLC5920 Operation Manual

Reference pattern and result

