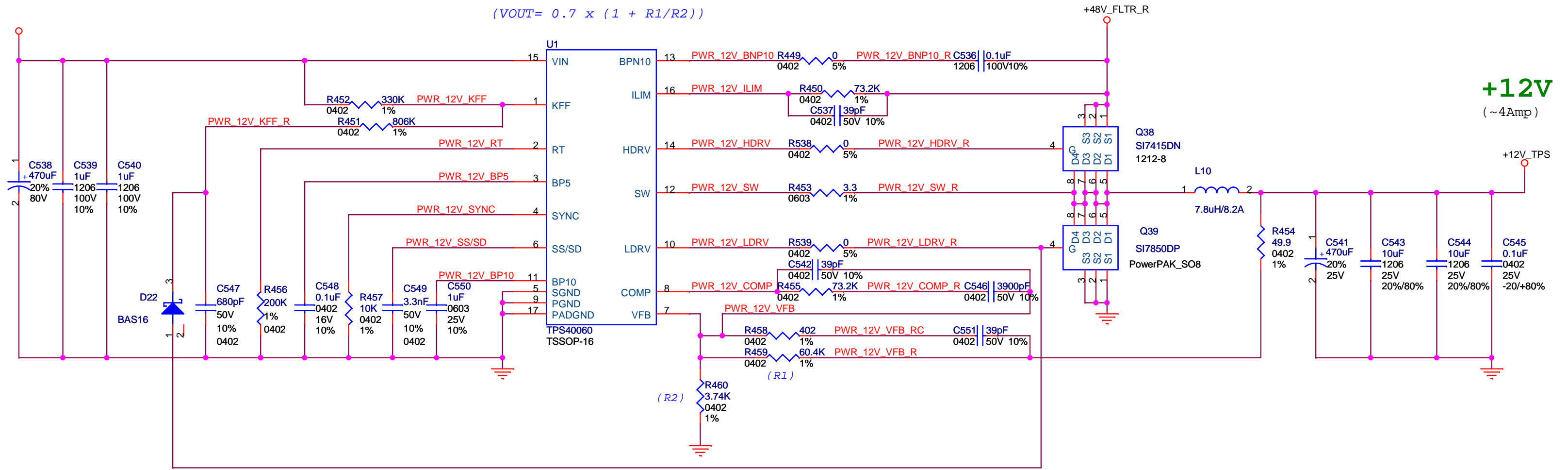


(Place Resistors Overlap at pins connected)

$$(V_{OUT} = 0.7 \times (1 + R1/R2))$$



**+12V**  
(~4Amp)