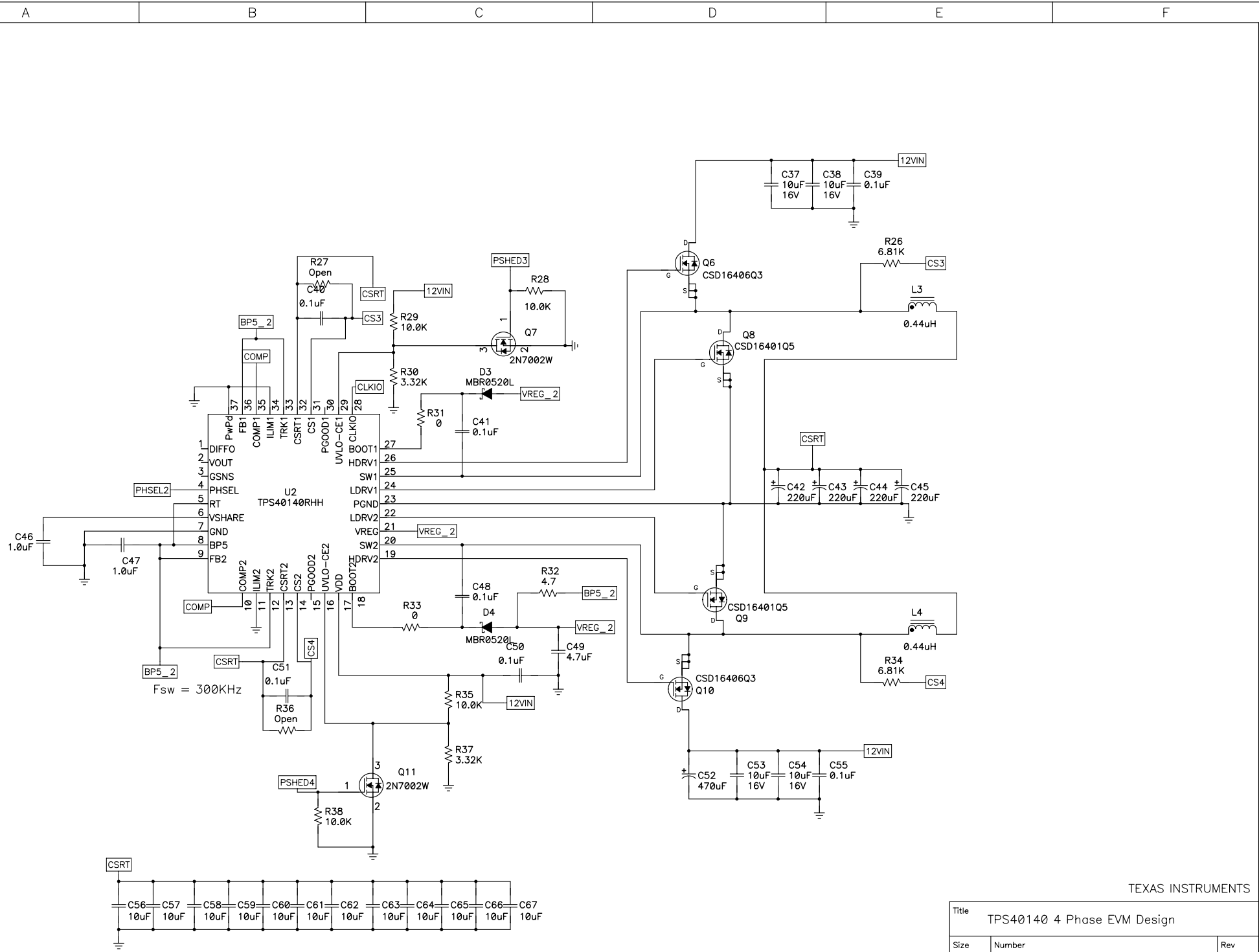


TEXAS INSTRUMENTS

Title			TPS40140 4 Phase EVM Design		
Size	Number	Rev			
C	TPS40140 EVM				1
Date	06/03/08	Drawn by			R Taylor / BEG
Filename	TPS40140_REV1_4PH.sch	Sheet	1 of 2		



TEXAS INSTRUMENTS

Title			TPS40140 4 Phase EVM Design		
Size	Number	Rev			
C	TPS40140 EVM	1			
Date	06/03/08	Drawn by		R Taylor / BEG	
Filename	TPS40140_REV1_4PH.sch	Sheet		2 of 2	