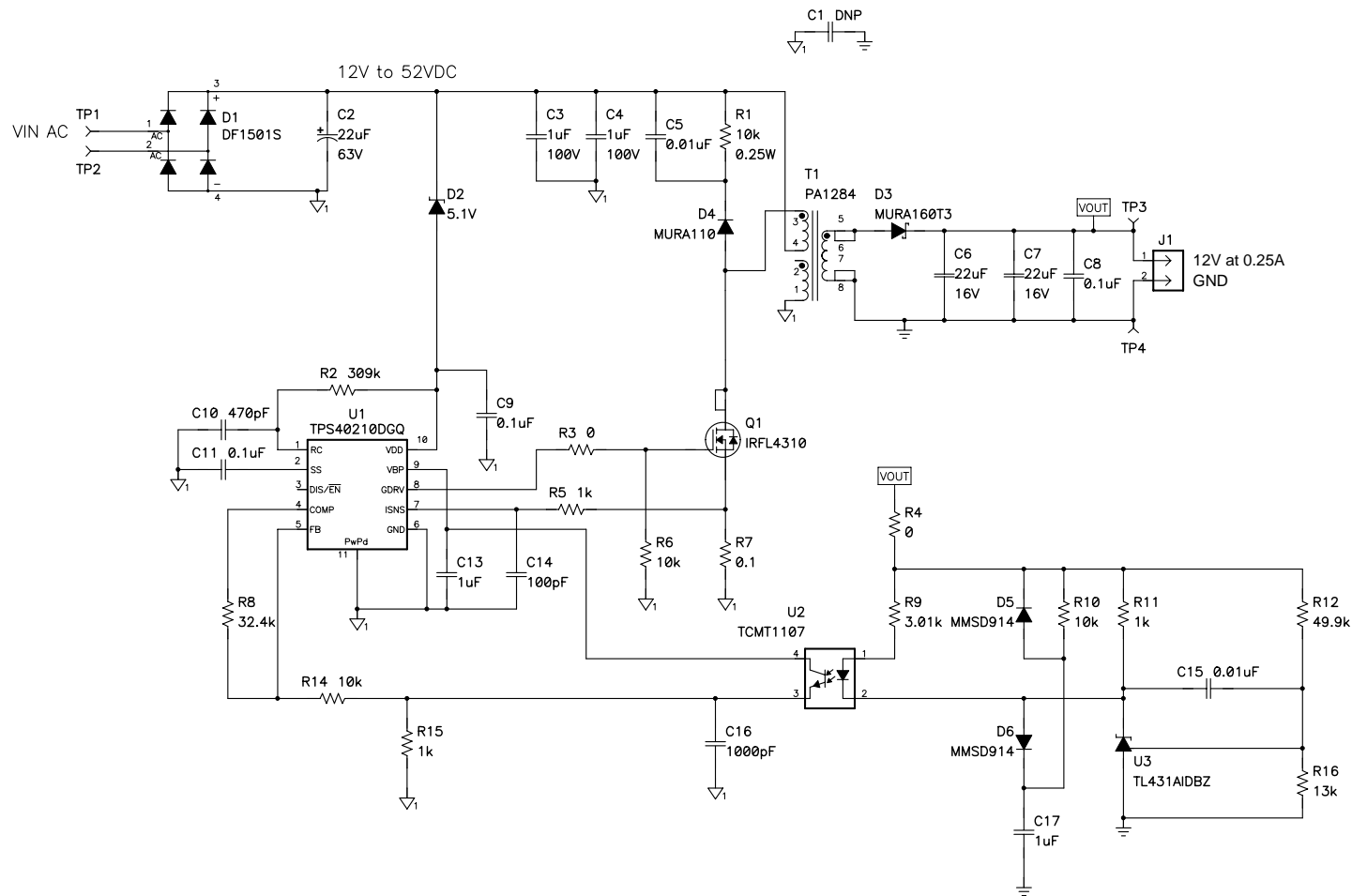


NOTES:
 1) Built on PMP4218 Rev A PWB.



Title 12Vdc-52Vdc Input, 12V/0.25A			
Size C	Number PMP4218	TEXAS INSTRUMENTS	Rev B
Date 03/04/2009	Drawn by B KING		
Filename PMP4218_REV.B.SCH	Sheet 1	of 1	