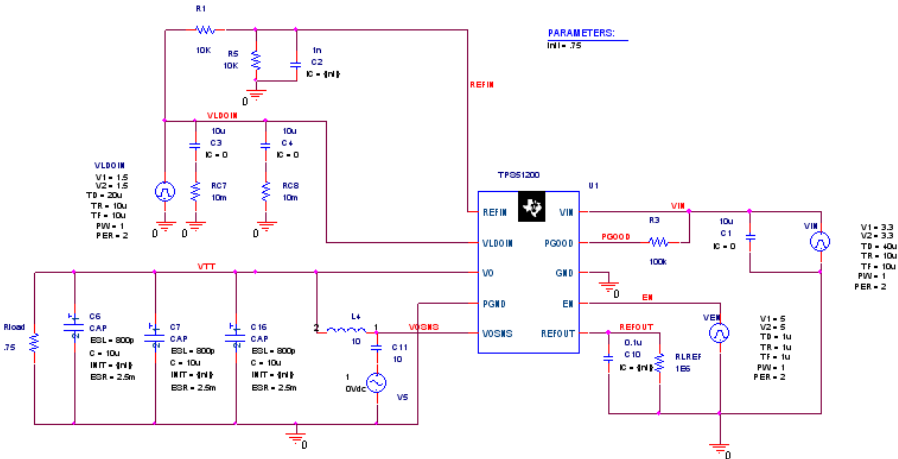


TPS51200 EVM Sink/Source DDR Termination Regulator - Average Model

TPS51200 EVM Sink/Source DDR Te	
Doc ID	Document Number
B	SLUU323
File	Thursday, December 23, 2010 11:01:11



STABILITY
 VIN = 3.3V, VLD0IN= 1.5 Load = 1A
 Gain crossover = 842 KHz
 Phase Margin = 62 degrees