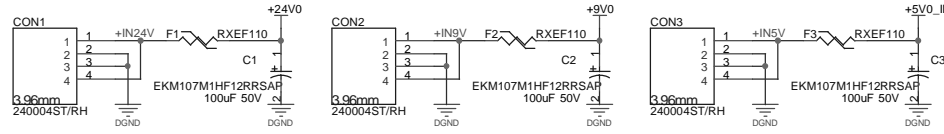
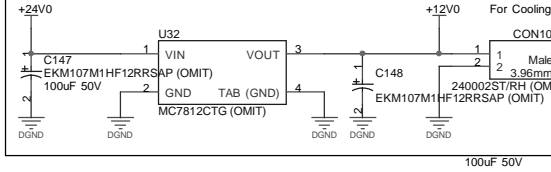


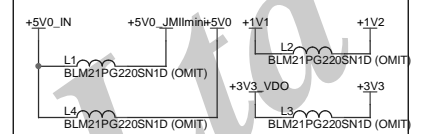
Input Connector



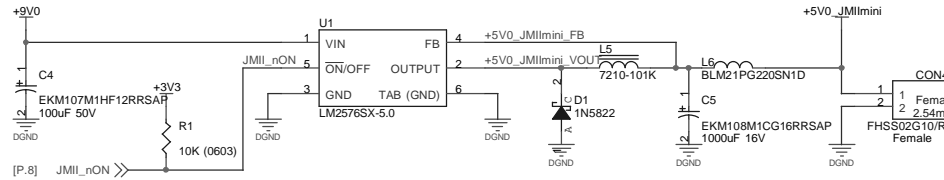
Low Dropout Regulator +12V, 1A for Cooling



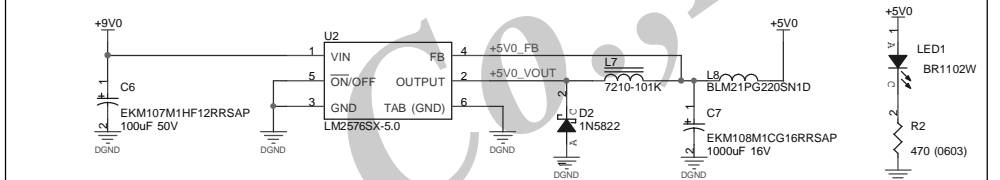
Inductor for power selection



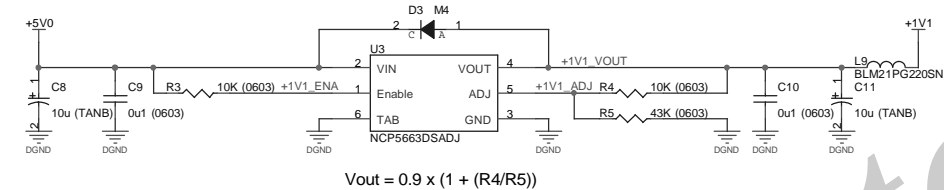
Switching Regulator +5.0V, 3A for JAMP-II mini



Switching Regulator +5.0V, 3A for Base Board

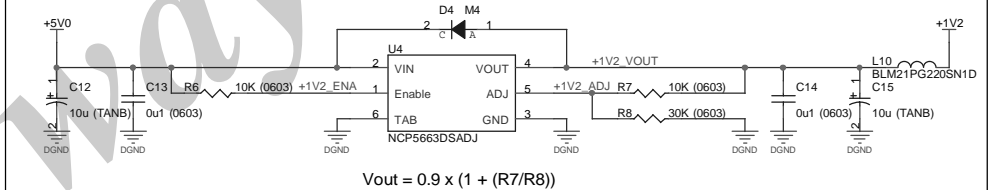


Low Dropout Regulator +1.1V, 3A for Video Decoder



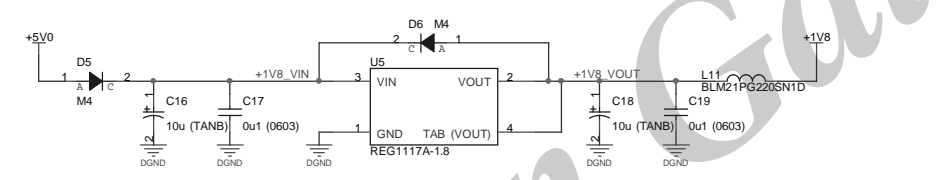
$V_{out} = 0.9 \times (1 + (R4/R5))$

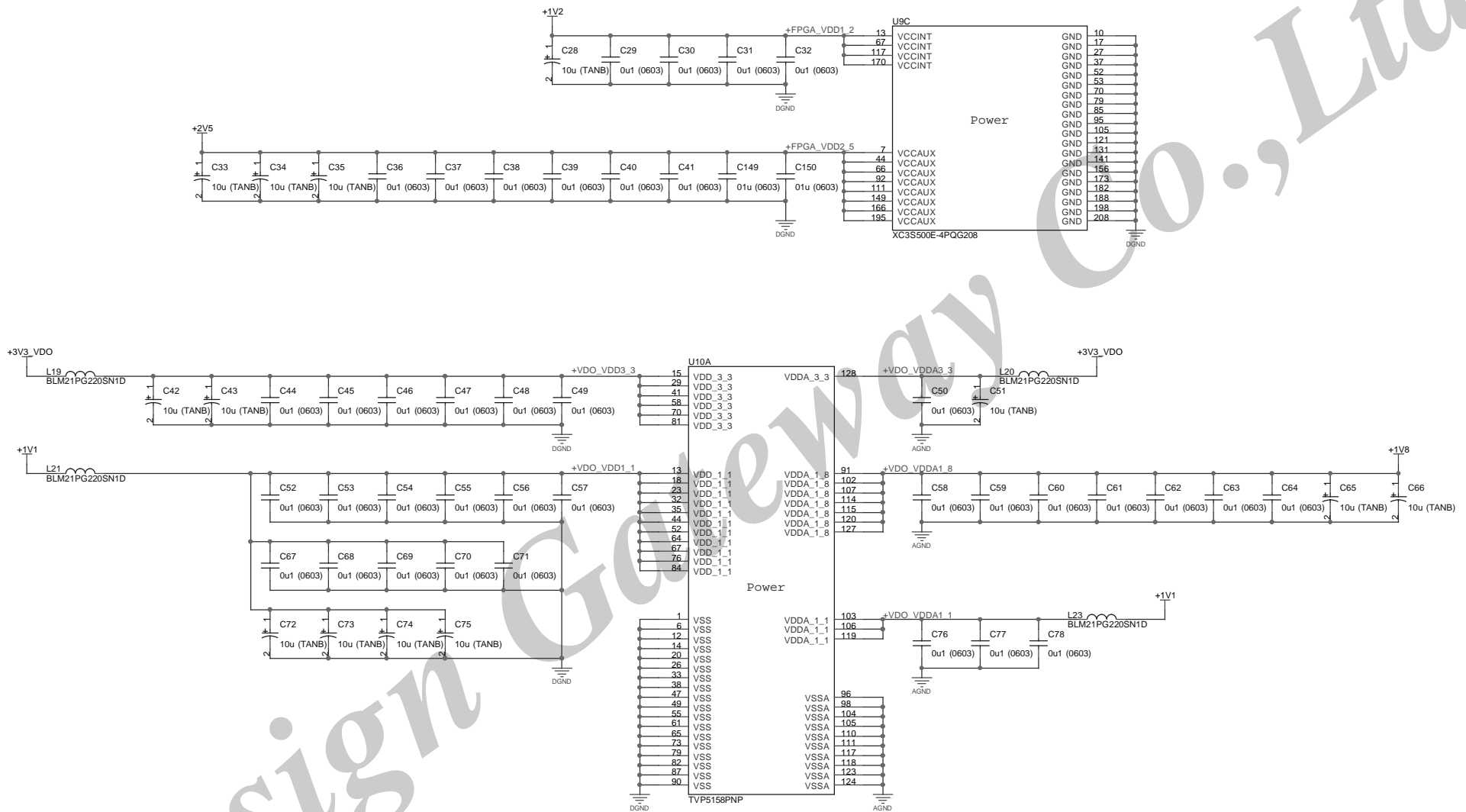
Low Dropout Regulator +1.2V, 3A for FPGA Core



$V_{out} = 0.9 \times (1 + (R7/R8))$

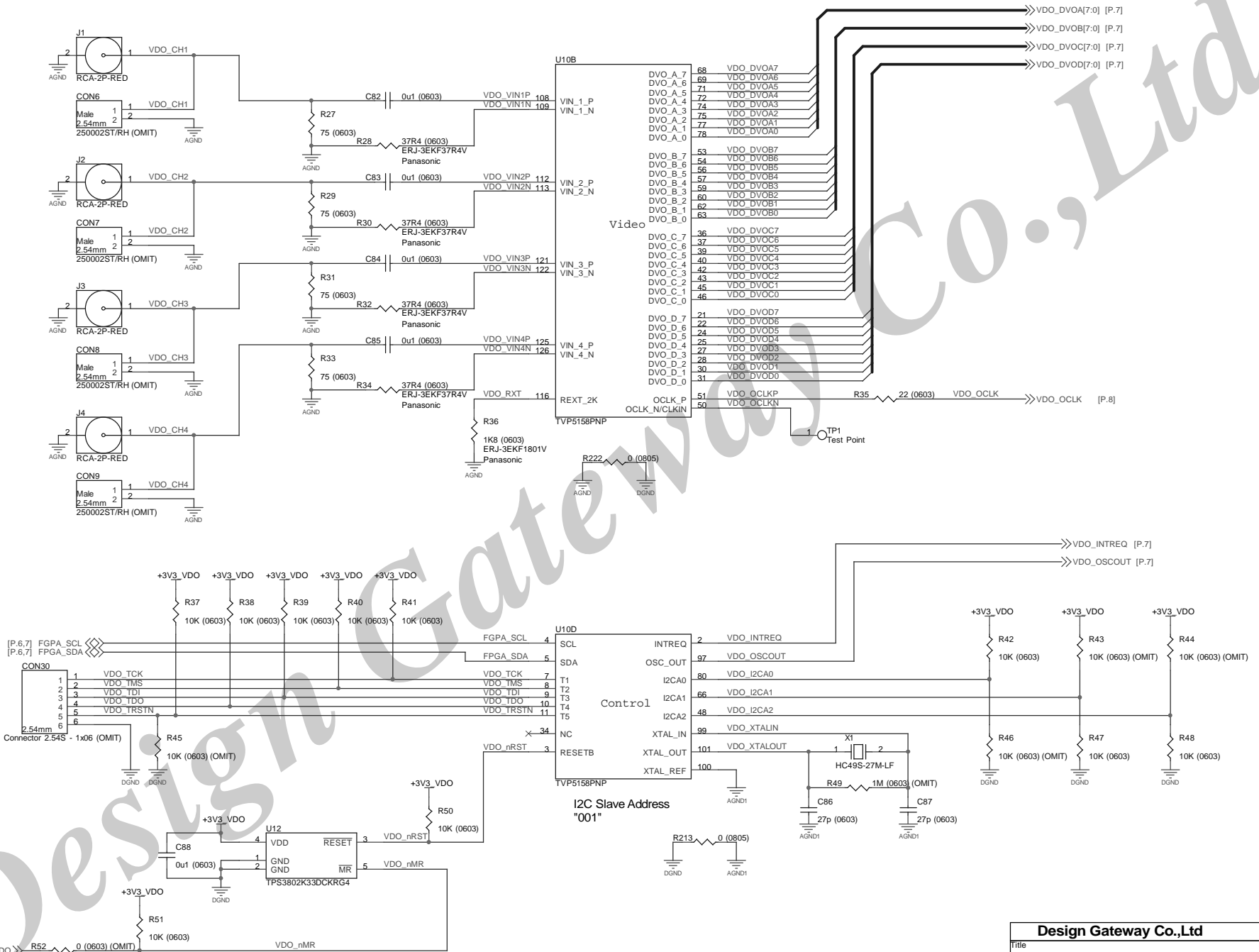
Low Dropout Regulator +1.8V, 1A for Video Decoder

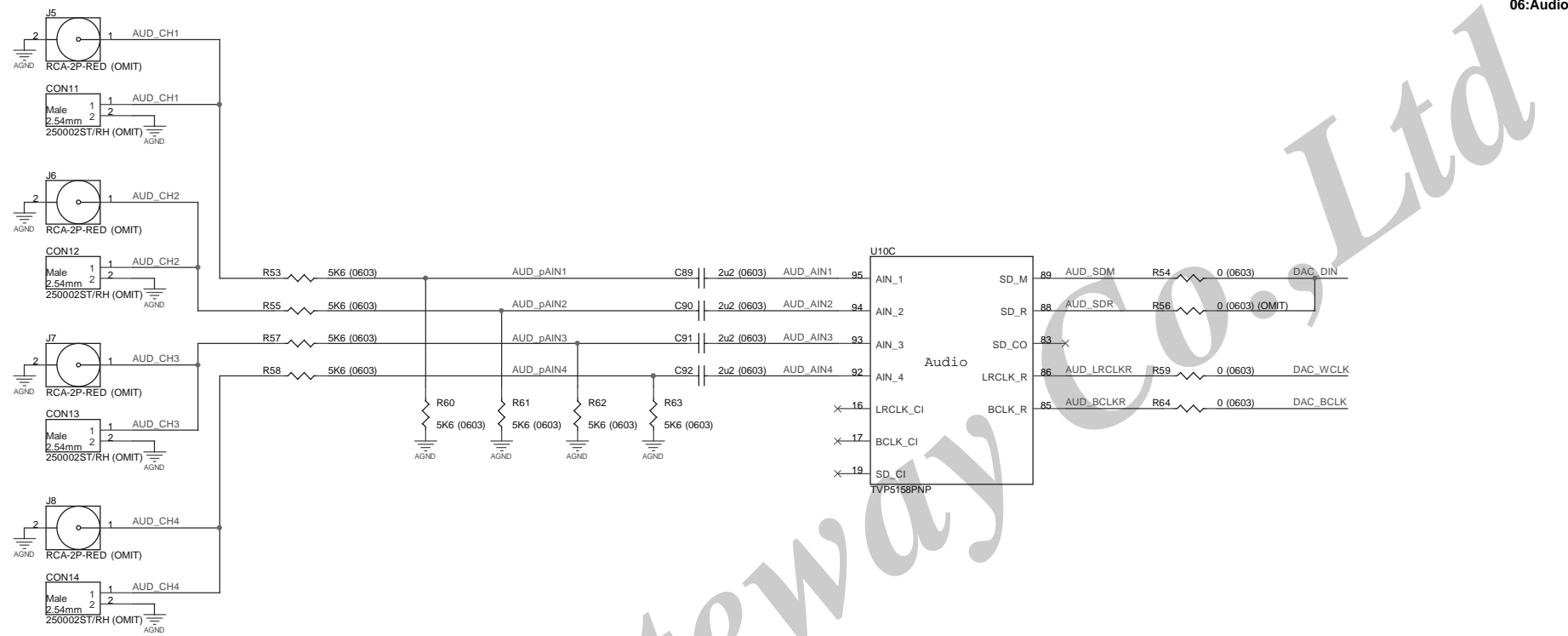




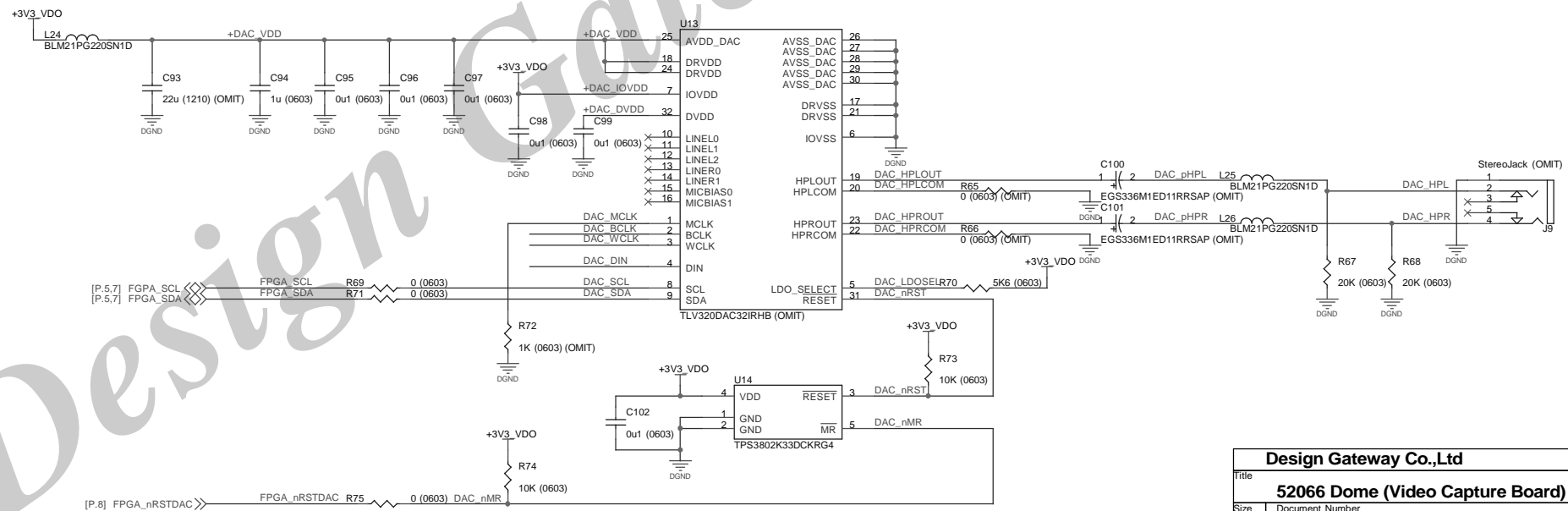
Design Gateway Co., Ltd

Design Gateway Co.,Ltd		
Title 52066 Dome (Video Capture Board)		
Size A3	Document Number FPGA & Video Power	Rev 1.0
Date: Friday, January 28, 2011	Sheet 3	of 12





I2C Slave Address
"0011000"



Design Gateway Co.,Ltd		
Title		
52066 Dome (Video Capture Board)		
Size	Document Number	Rev
A3	Audio Codec	1.0
Date:	Friday, January 28, 2011	Sheet 6 of 12