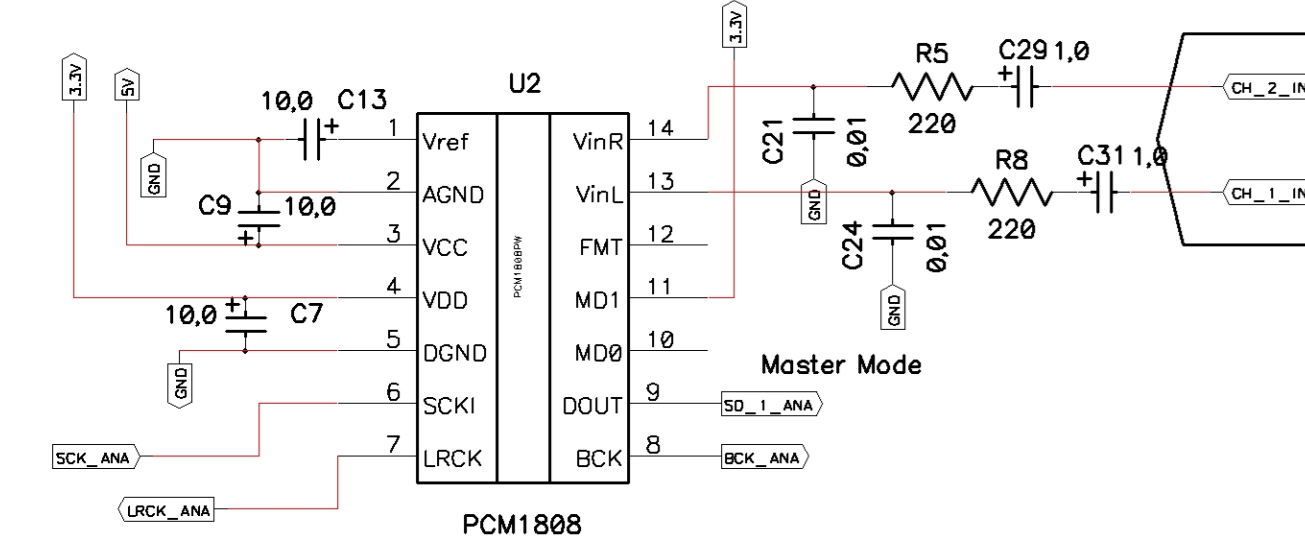
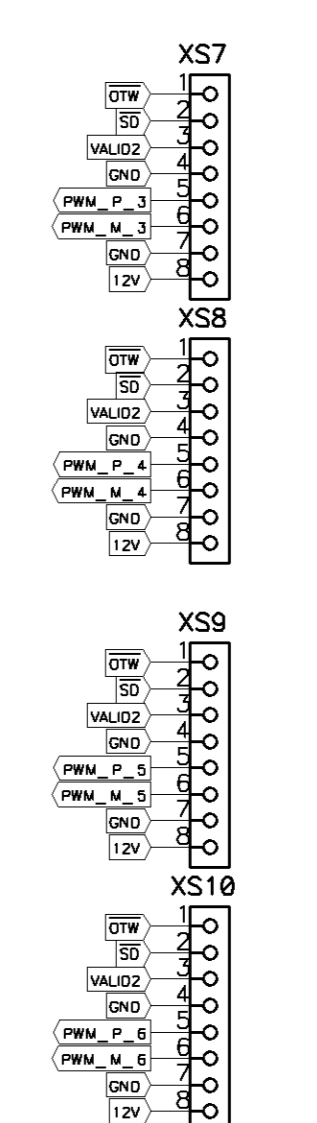
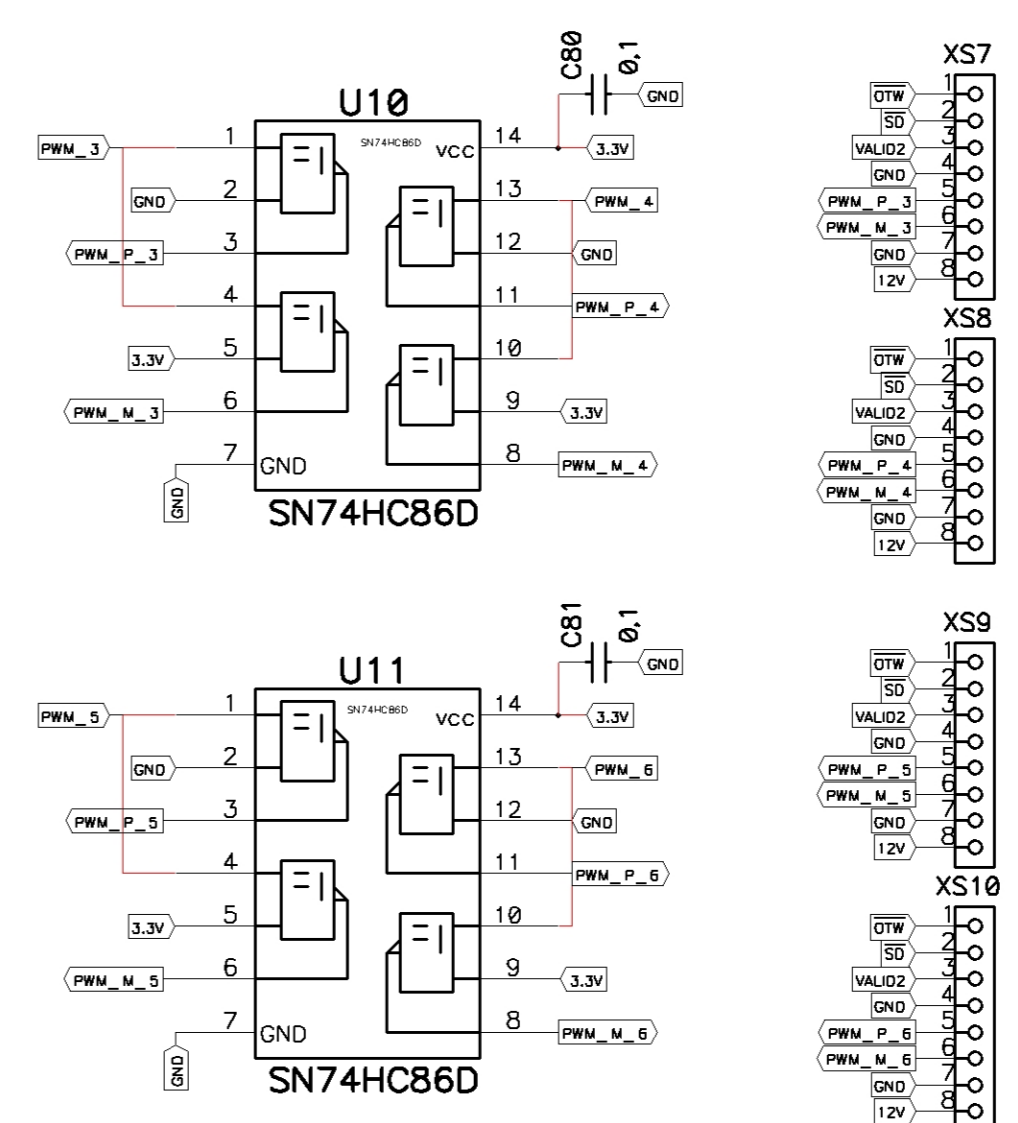
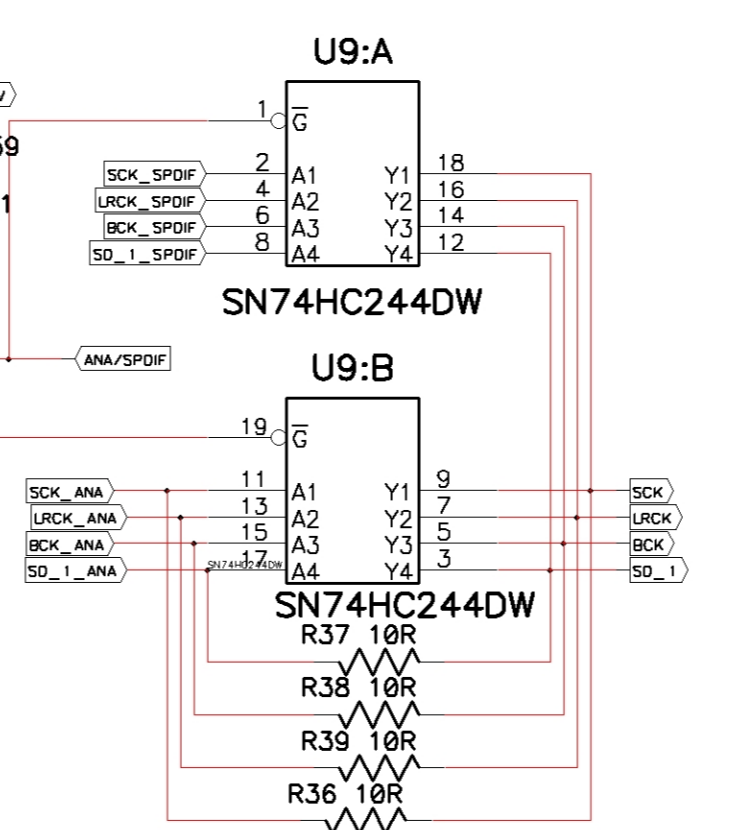
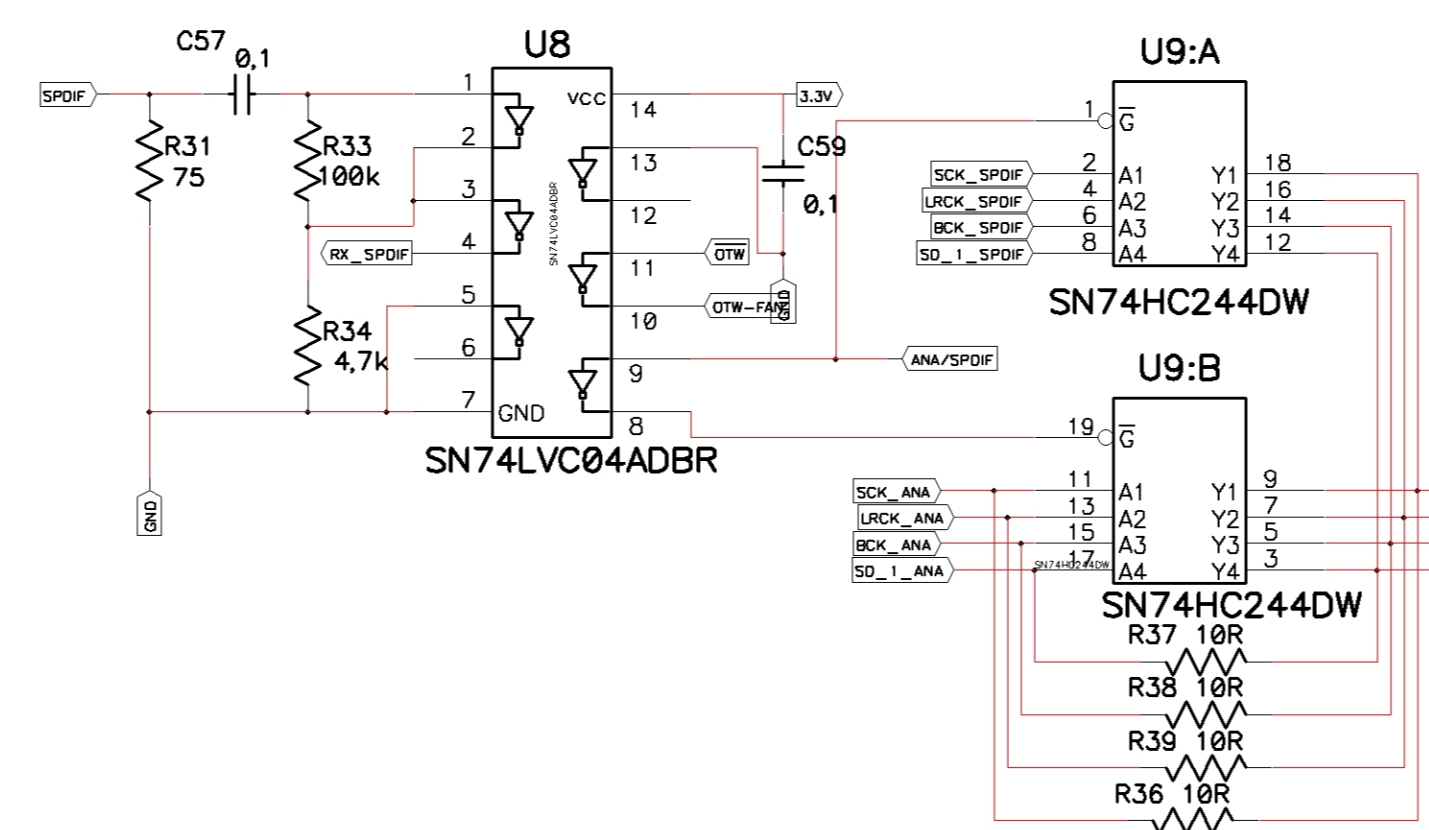
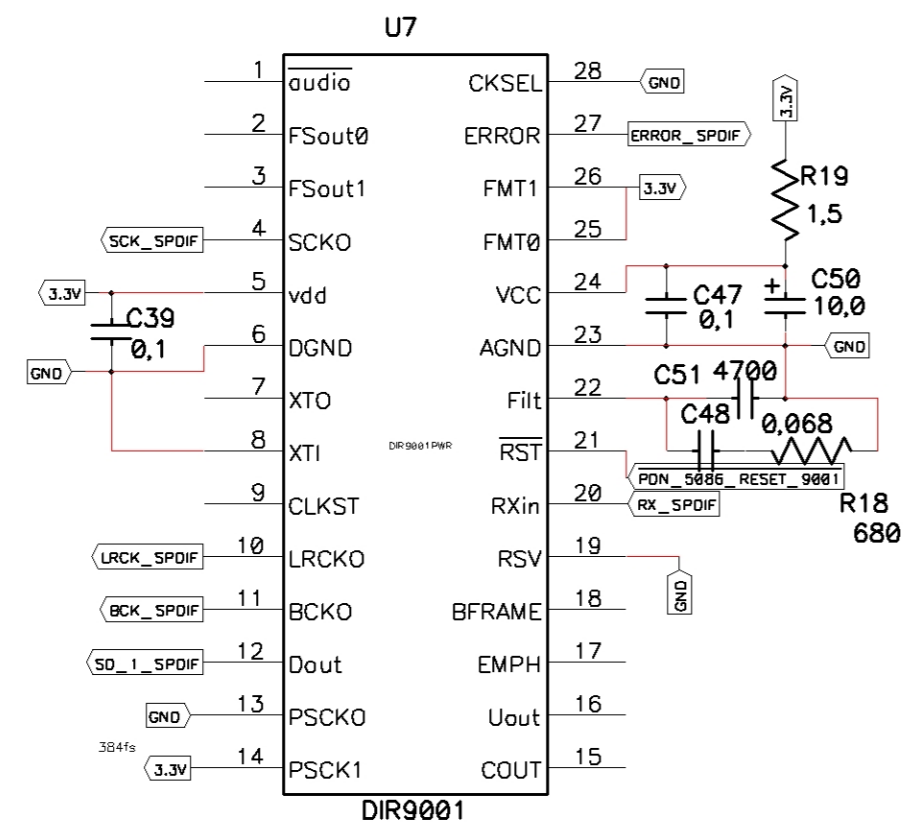
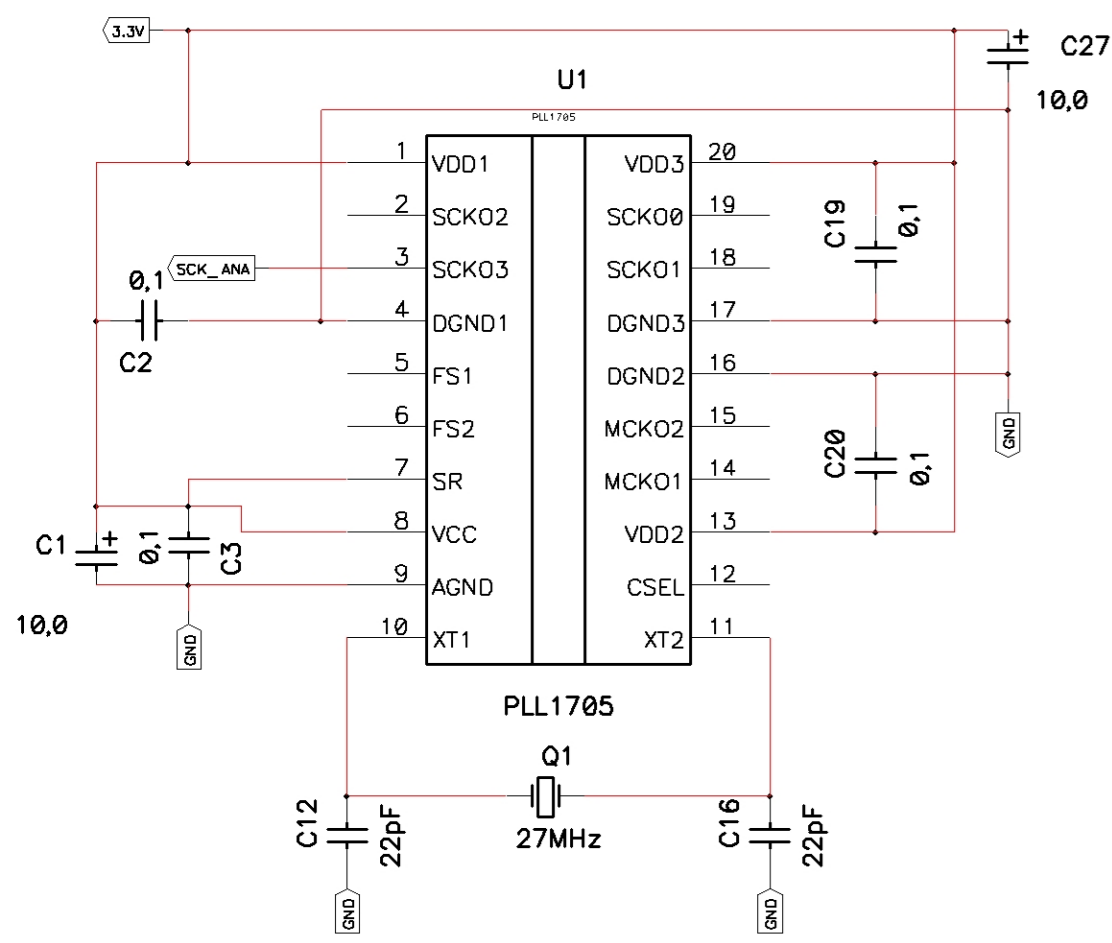


SR	Standard	SCK00	33.8688 MHz
OPEN	Double	SCK01	Selectable for 44.1 kHz 16.9344 33.8688 MHz
VCC		SCK02	256 fS
		SCK03	384 fS

FS2	FS1	SAMPLING FREQUENCY
Open	Open	48 kHz
Open	VCC	44.1 kHz
VCC	Open	32 kHz
VCC	VCC	Reserved

# 6 Channel Digital Audio Amplifire



MD1	MD0	INTERFACE MODE
Low	Low	Slave mode (256 fS, 384 fS, 512 fS autodet.)
Low	High	Master mode (512 fS)
High	Low	Master mode (384 fS)
High	High	Master mode (256 fS)

FMT	FORMAT
Low	I2S, 24-bit
High	Left-justified, 24-bit

