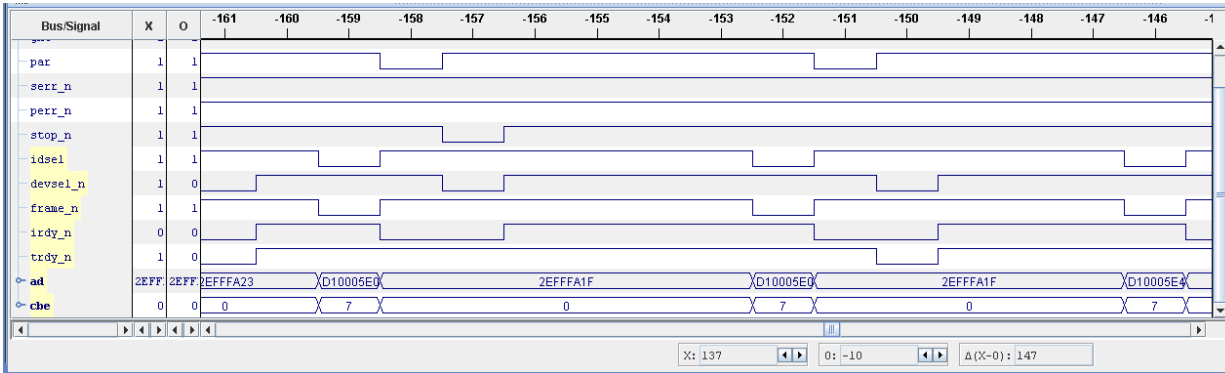
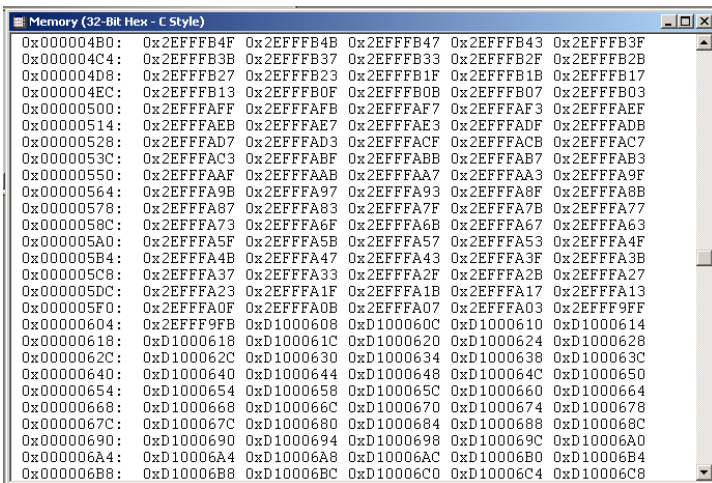
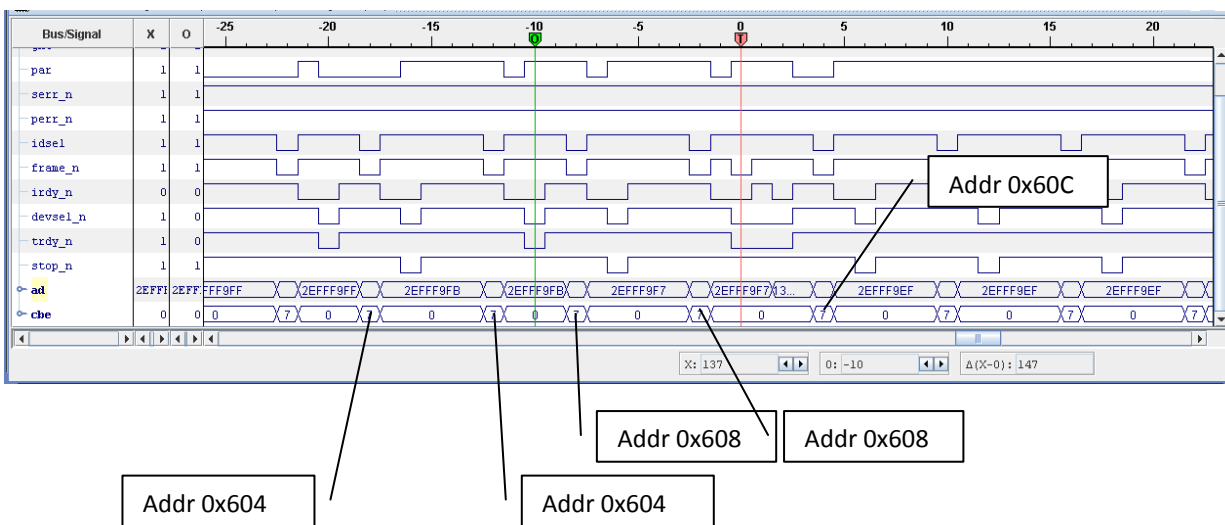


Normal memory write of an address, and the complement of that address as the data. Takes 2 tries because the target is slower.

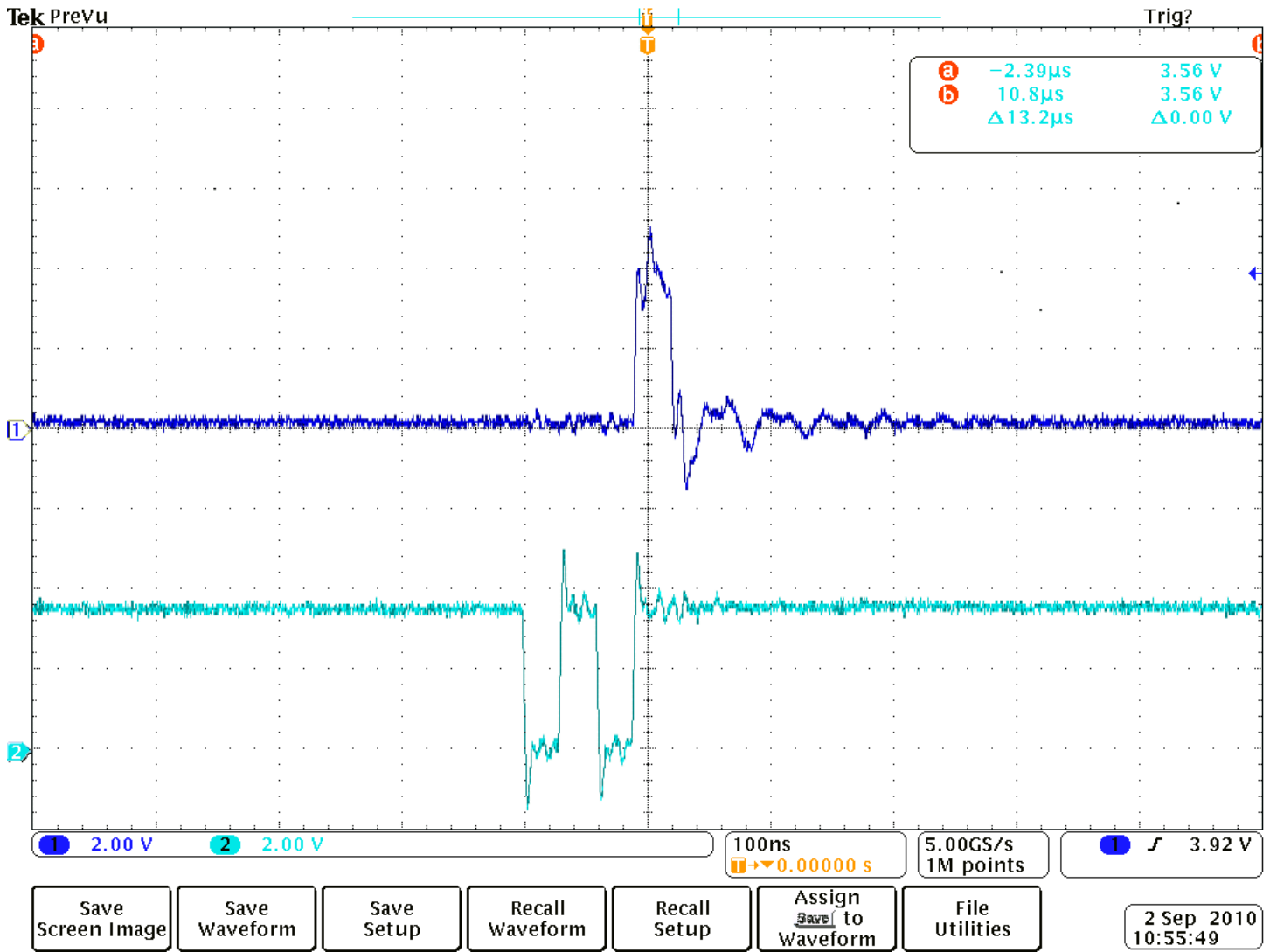


Here is the failure condition:



An inspection of the target devices memory shows that the data for the write to address 608 did not make it to memory. But the Gpp is moving to the next address

This is a scope trace of the FRAME signal. The upper signal is only a trigger:



Summary: The Gpp is asserting FRAME_N in the middle of the single-beat transaction when it shouldn't.