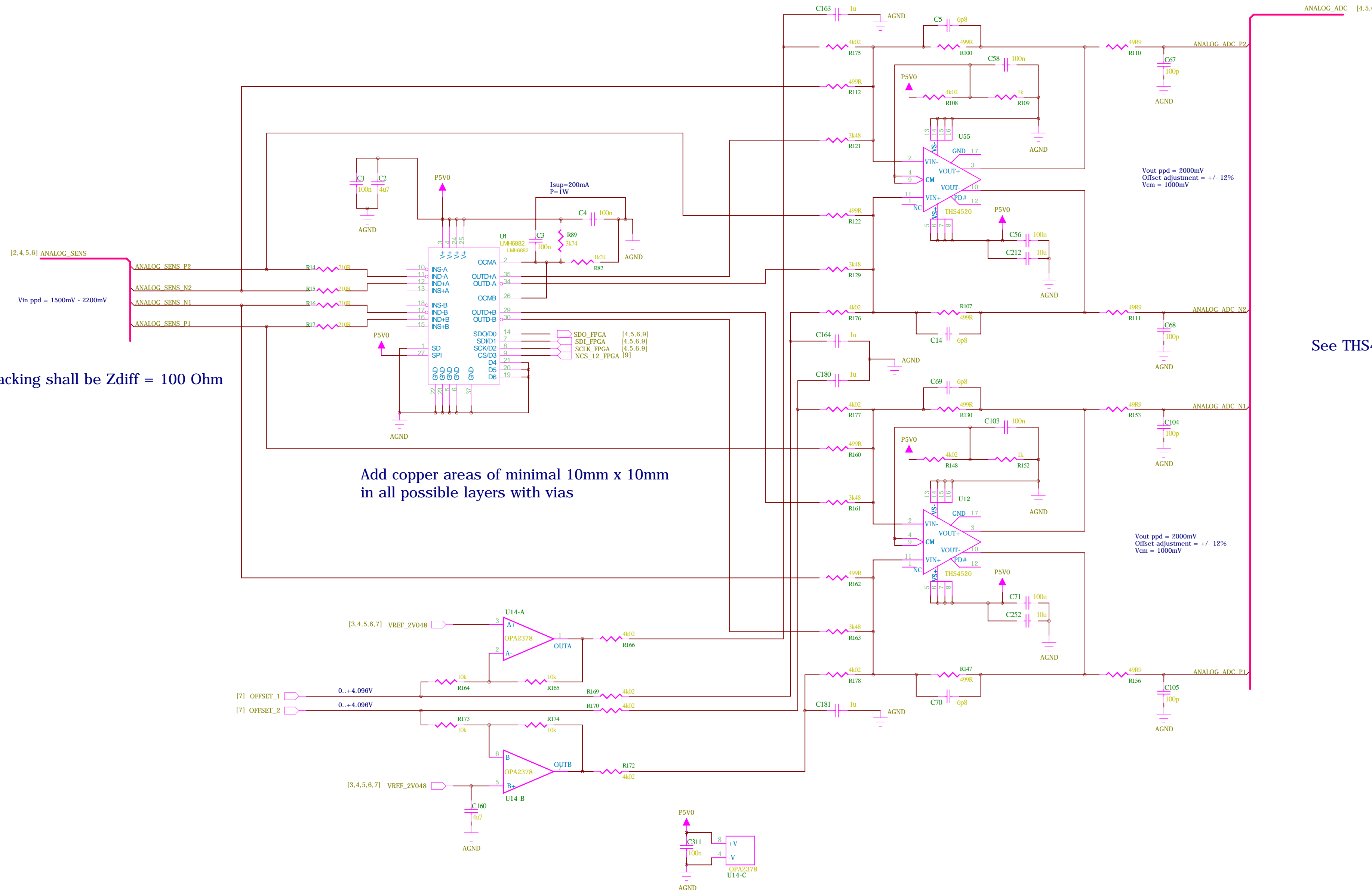


REVISION RECORD			
LTR	ECO NO.	APPROVED:	DATE:

Differential Analogue Signal tracking shall be  $Z_{diff} = 100 \text{ Ohm}$



Differential Analogue Signal tracking shall be  $Z_{diff} = 100 \text{ Ohm}$

Add copper areas of minimal 10mm x 10mm in all possible layers with vias

See THS4520 datasheet for Layout Recommendation P.27

DRAWN: N. Sarkissian		DATED: 25.03.2014		COMPANY: Perkin Elmer / Dexela	
CHECKED: <Checked By>		DATED: <Checked Date>		TITLE: 1313_ADC ANALOGUE_OPAMP12	
QUALITY CONTROL: <QC By>		DATED: <QC Date>		CODE: <Code>	SIZE: D
RELEASED: <Released By>		DATED: <Release Date>		DRAWING NO: PT-001562	
SCALE: <Scale>				REV: A	
SHEET: 3 OF 13					