

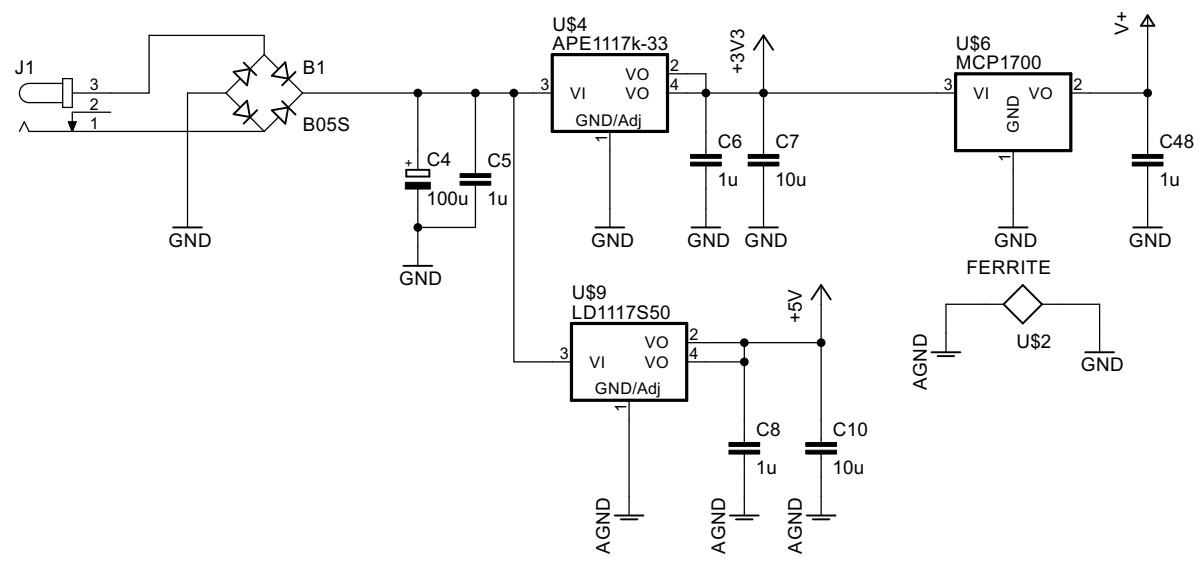
# Block scheme

by Fehér Áron

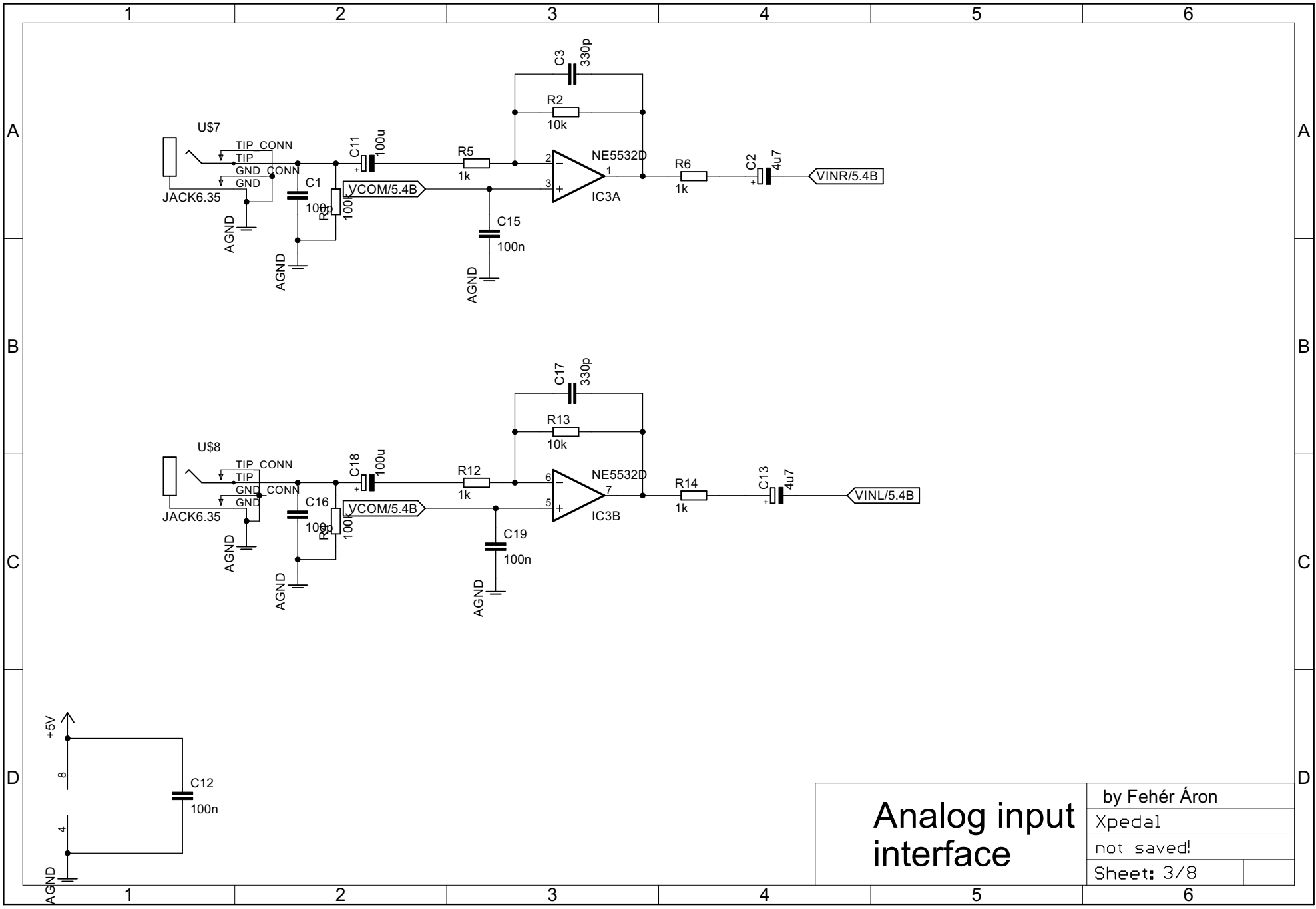
Xpedal

not saved!

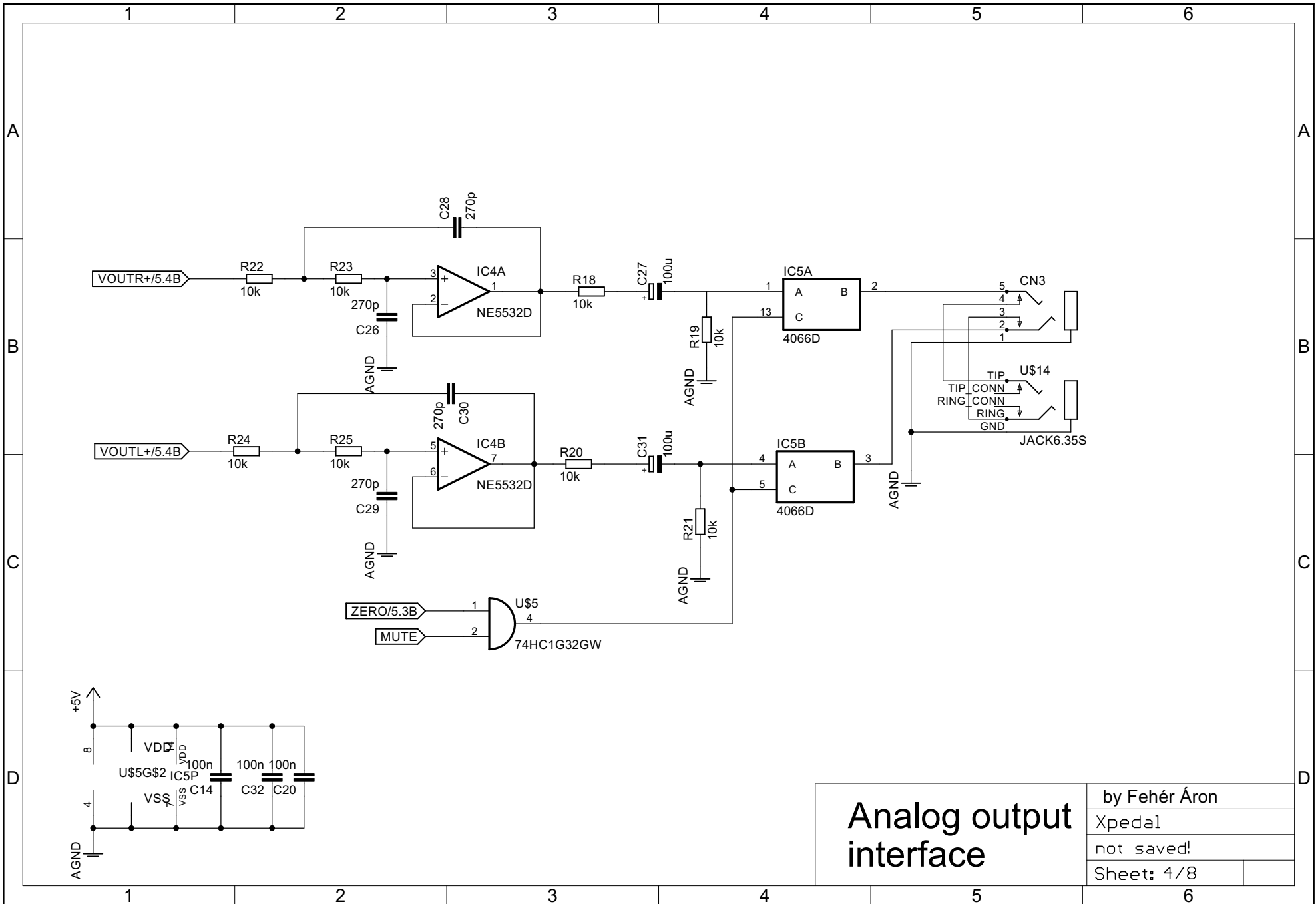
Sheet: 1/8



|                       |  |               |  |
|-----------------------|--|---------------|--|
| <h1>Power supply</h1> |  | by Fehér Áron |  |
|                       |  | Xpedal        |  |
|                       |  | not saved!    |  |
|                       |  | Sheet: 2/8    |  |

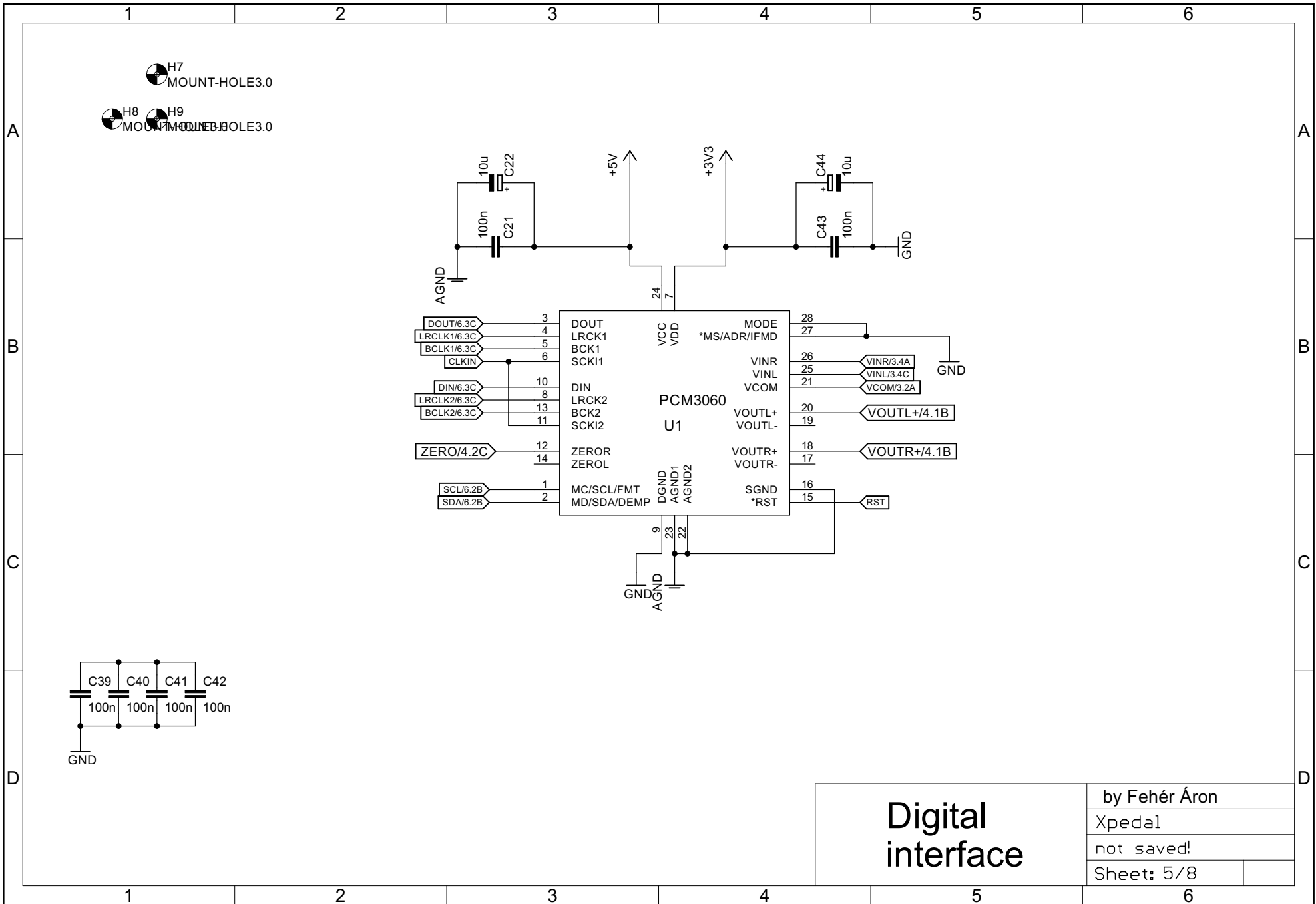


|                                 |  |               |  |
|---------------------------------|--|---------------|--|
| <h1>Analog input interface</h1> |  | by Fehér Áron |  |
|                                 |  | Xpedal        |  |
| <h1>Analog input interface</h1> |  | not saved!    |  |
|                                 |  | Sheet: 3/8    |  |



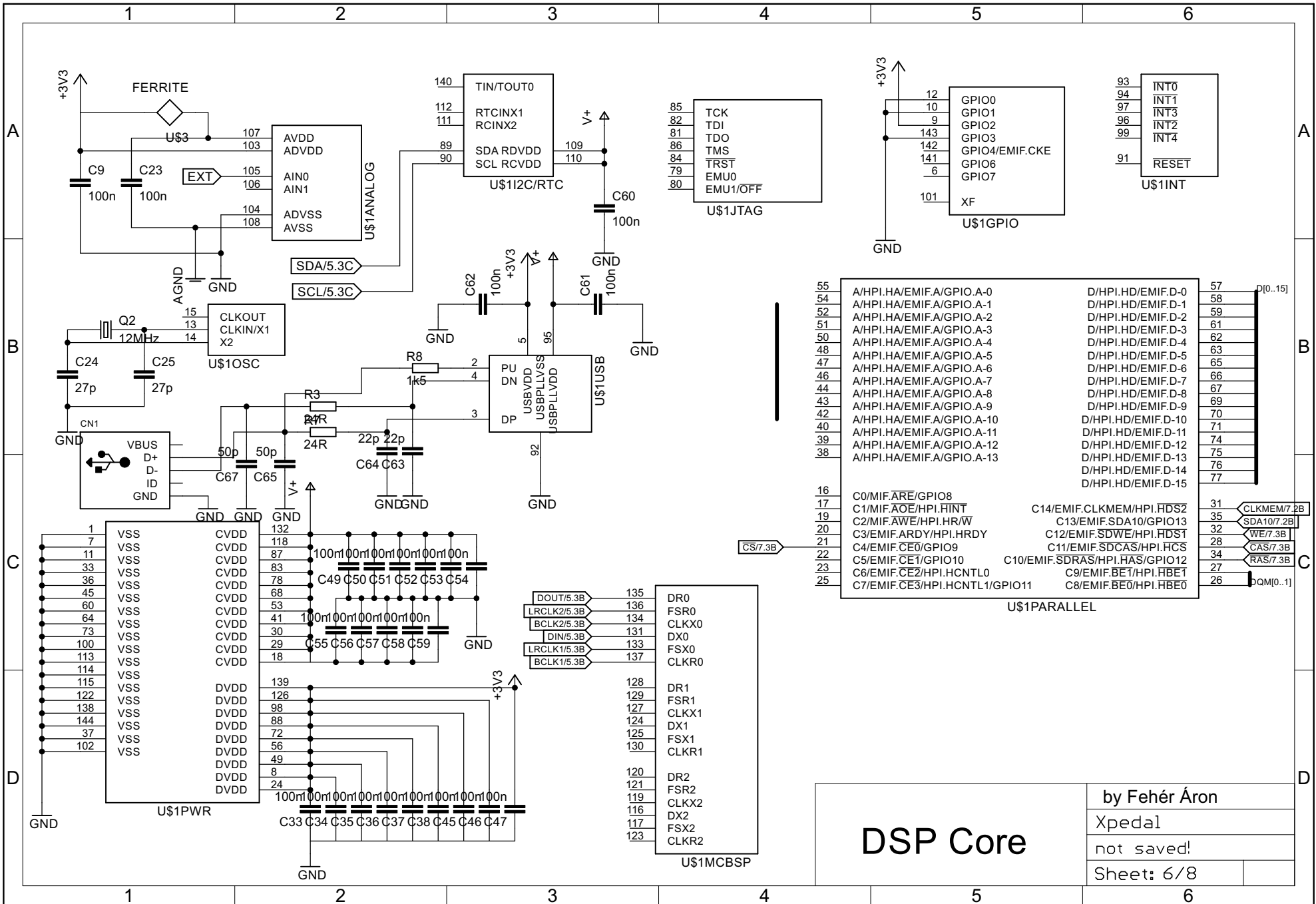
**Analog output interface**

|               |  |
|---------------|--|
| by Fehér Áron |  |
| Xpedal        |  |
| not saved!    |  |
| Sheet: 4/8    |  |



# Digital interface

by Fehér Áron  
 Xpedal  
 not saved!  
 Sheet: 5/8



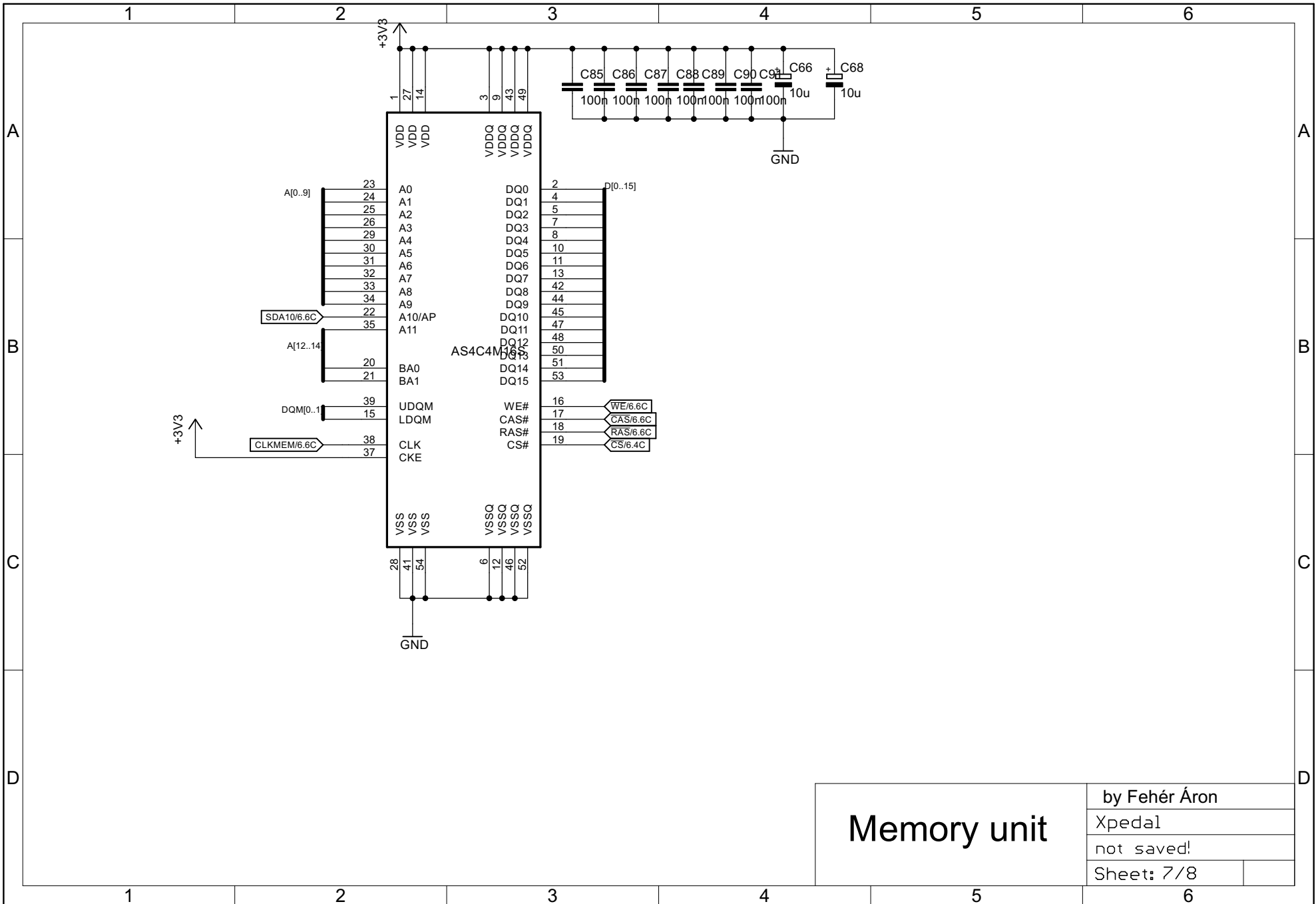
by Fehér Áron

DSP Core

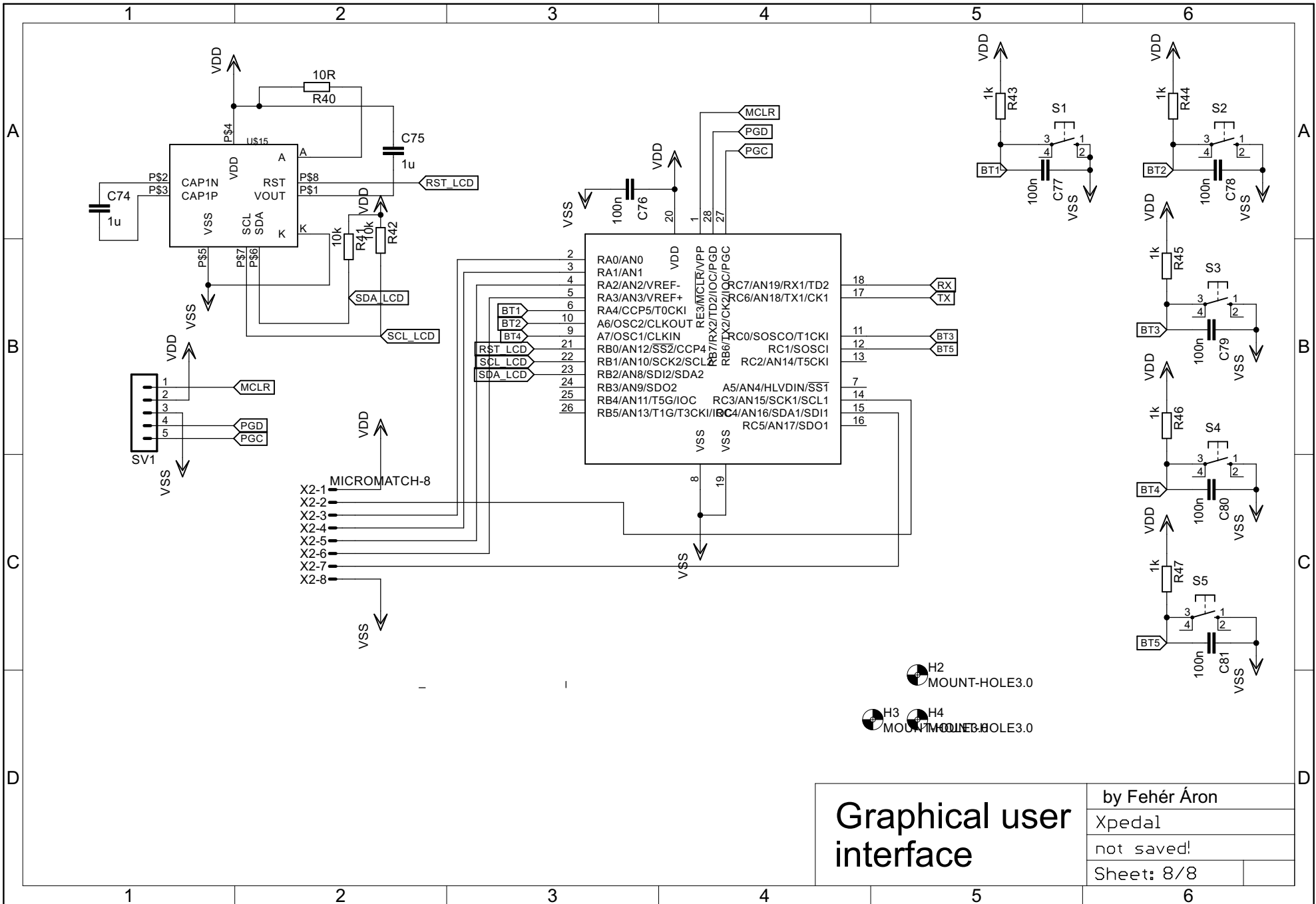
Xpedal

not saved!

Sheet: 6/8



|                      |               |  |
|----------------------|---------------|--|
| <h1>Memory unit</h1> | by Fehér Áron |  |
|                      | Xpedal        |  |
|                      | not saved!    |  |
|                      | Sheet: 7/8    |  |



H2 MOUNT-HOLE3.0

H3 H4 MOUNT-HOLE3.0

|                                   |               |  |
|-----------------------------------|---------------|--|
| <h1>Graphical user interface</h1> | by Fehér Áron |  |
|                                   | Xpedal        |  |
|                                   | not saved!    |  |
|                                   | Sheet: 8/8    |  |