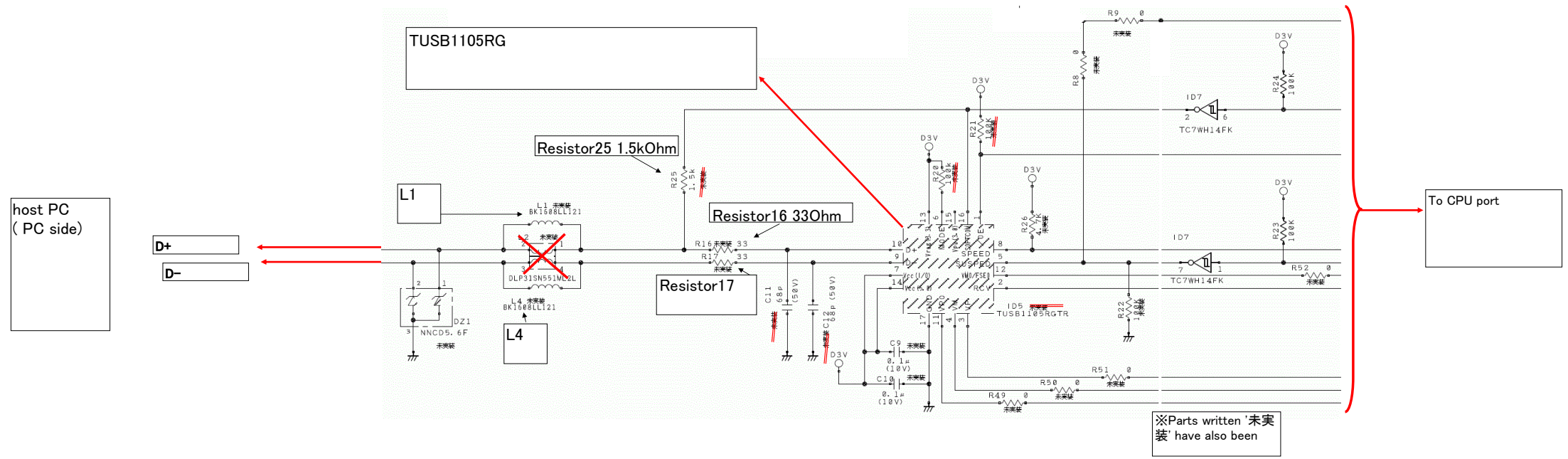


Circuit diagram



Trace pattern of substrate

