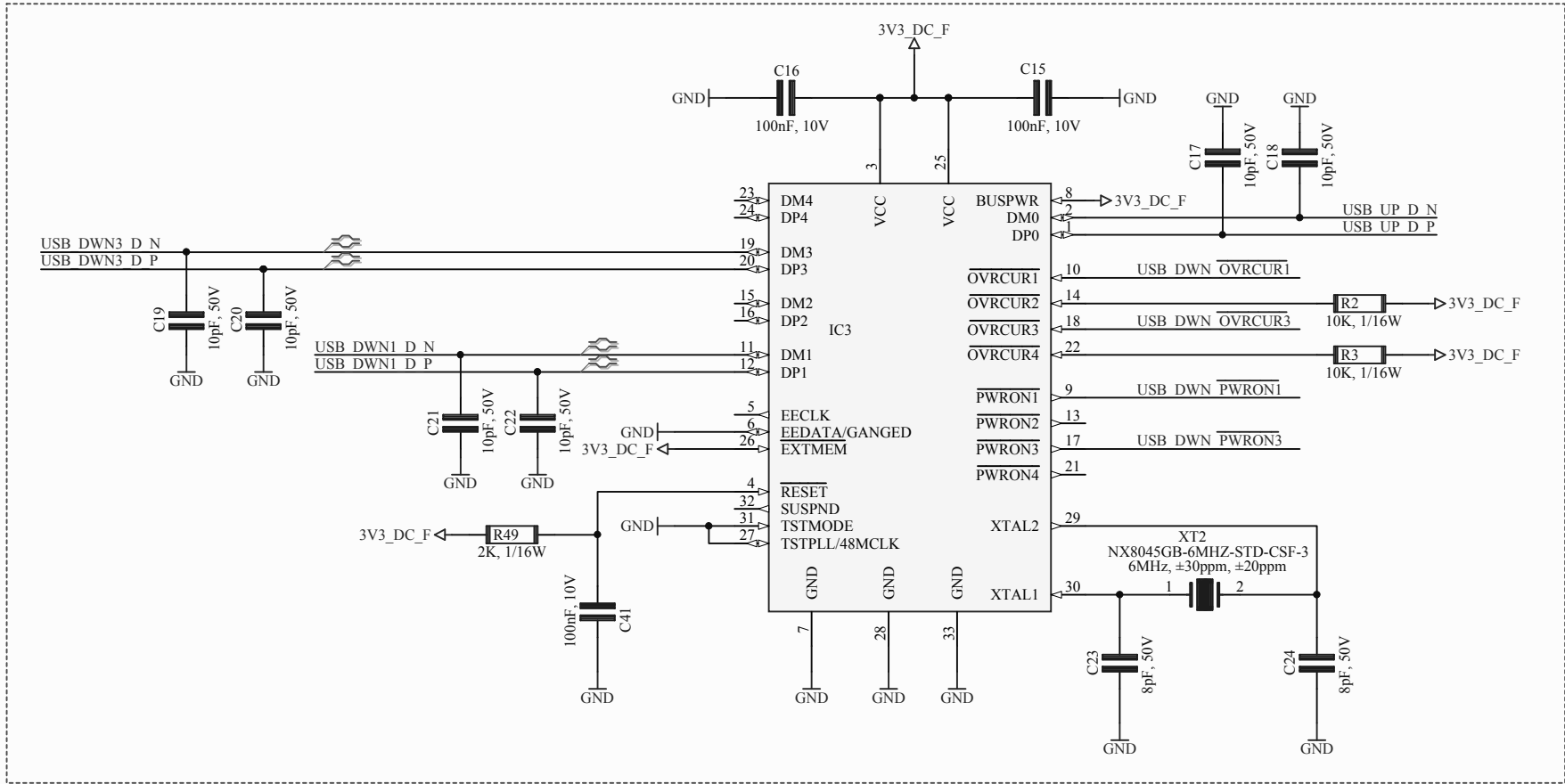


RF SHIELD



1 2 3 4

A

A

B

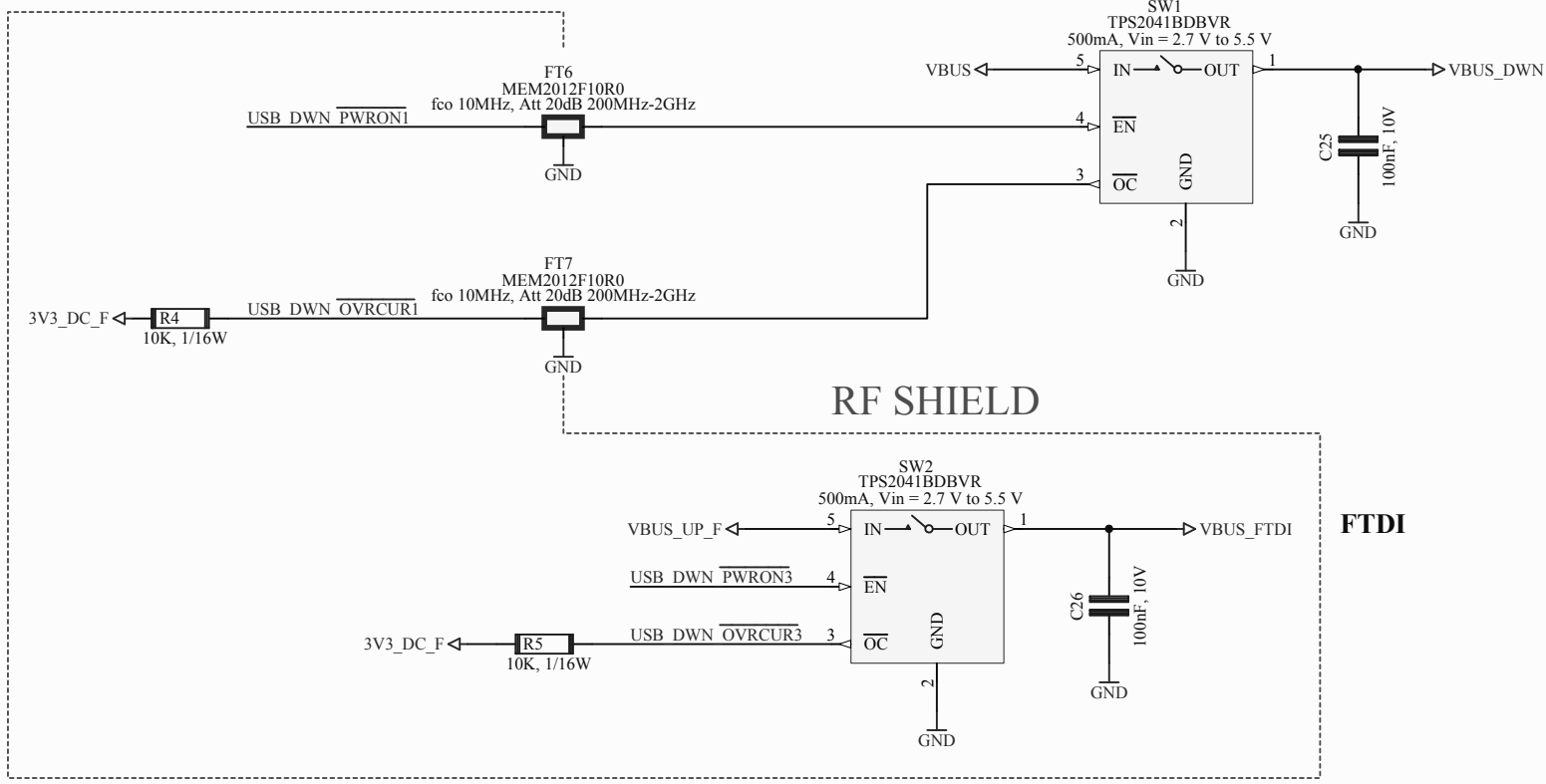
B

C

C

D

D



TABLET

RF SHIELD

FTDI

1 2 3 4

1

2

3

4

A

A

B

B

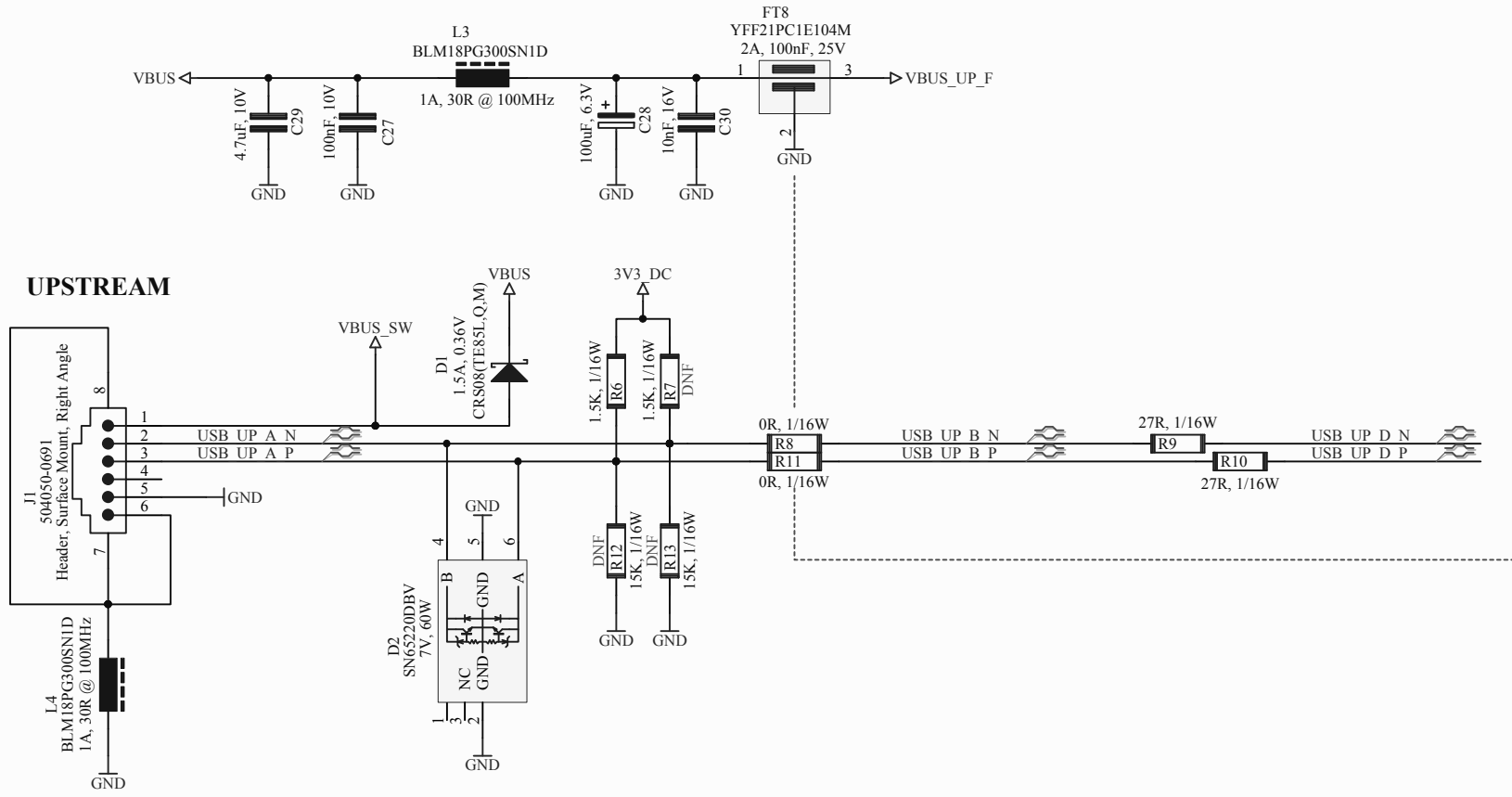
C

C

D

D

UPSTREAM



RF SHIELD

1

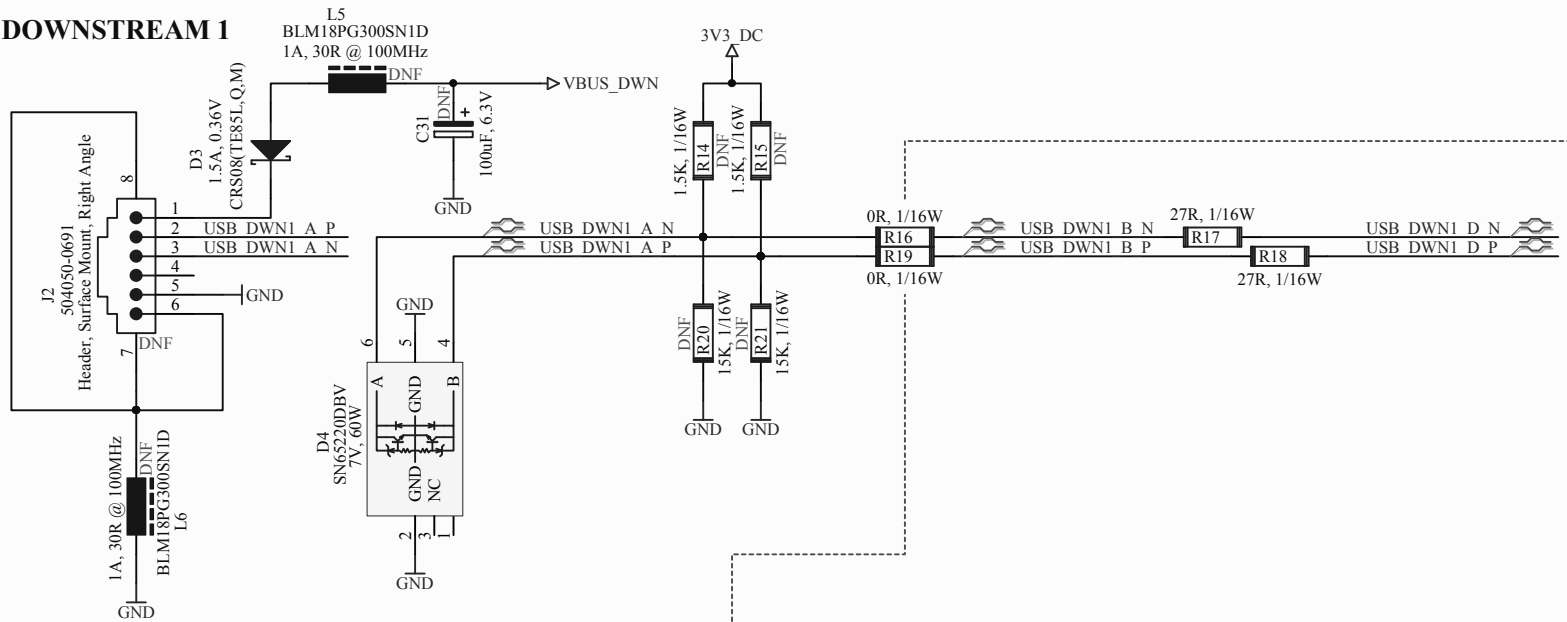
2

3

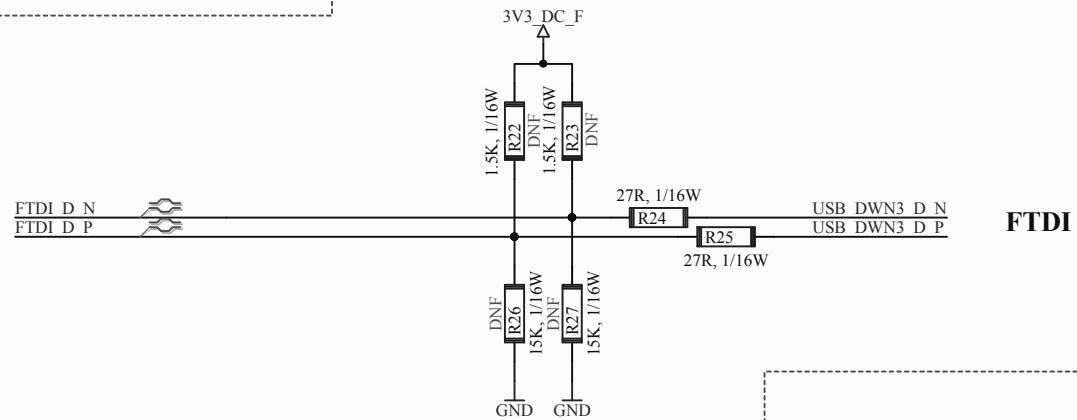
4

**TABLET
FULL SPEED USB**

DOWNSTREAM 1



**DOWNSTREAM 3
UART USB BRIDGE
LOW SPEED USB**



TABLET

RF SHIELD

FTDI

RF SHIELD

