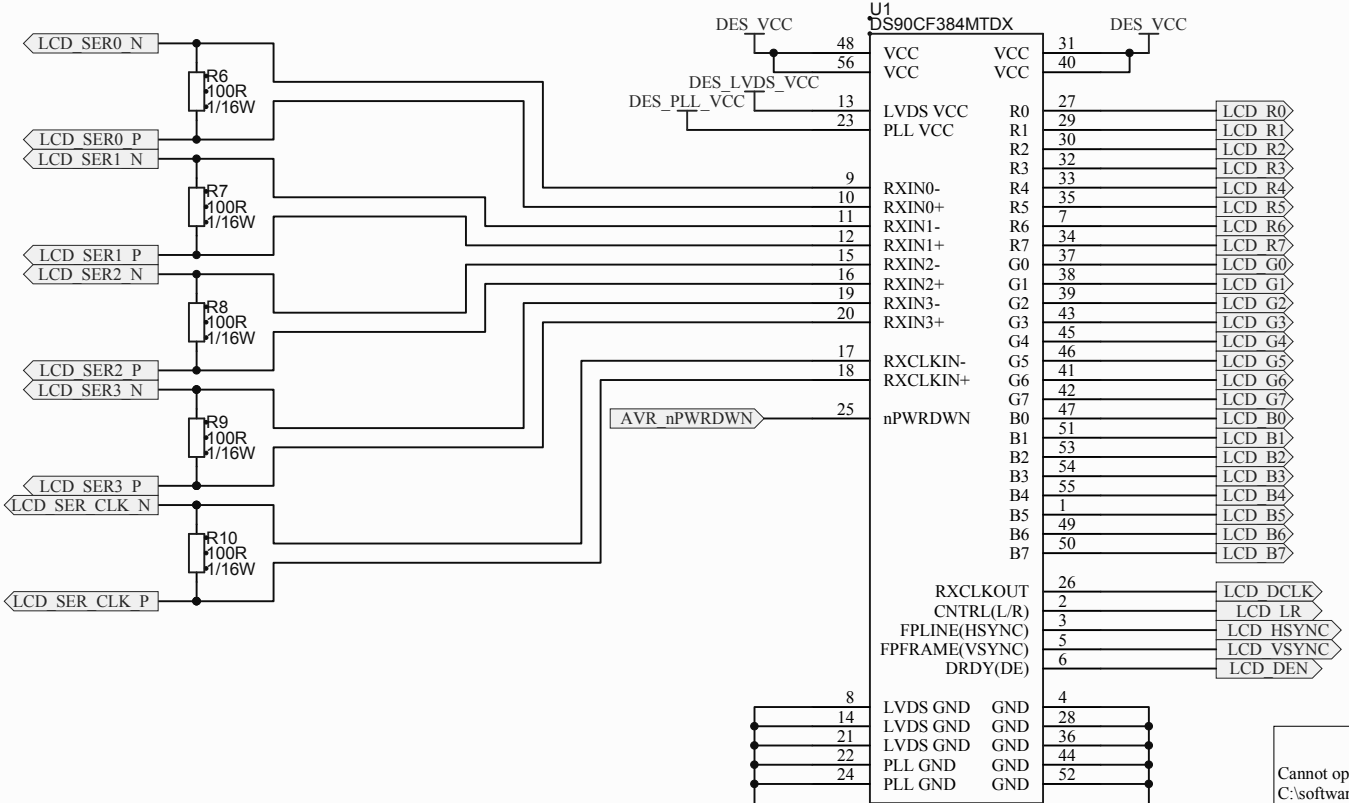
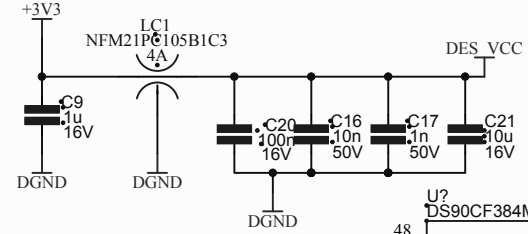
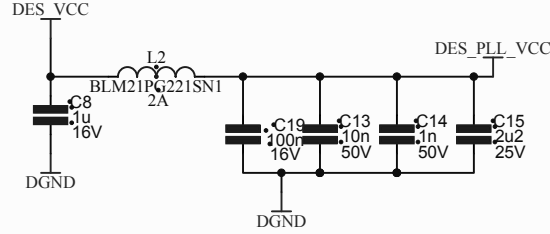
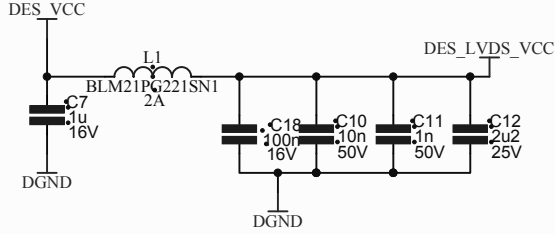
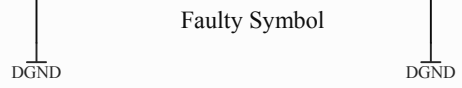


De-Serializer



U2
DS90CF384MTDX

48	VCC	VCC	31
56	VCC	VCC	40
13	LVDS VCC	RxOUT0	27
23	PLL VCC	RxOUT1	29
		RxOUT2	30
		RxOUT3	32
9	RXIN0-	RxOUT4	33
10	RXIN0+	RxOUT5	34
11	RXIN1-	RxOUT6	35
12	RXIN1+	RxOUT7	37
15	RXIN2-	RxOUT8	38
16	RXIN2+	RxOUT9	39
19	RXIN3-	RxOUT10	41
20	RXIN3+	RxOUT11	42
		RxOUT12	43
17	RXCLKIN-	RxOUT13	45
18	RXCLKIN+	RxOUT14	46
		RxOUT15	47
25	nPWRDWN	RxOUT16	49
		RxOUT17	50
		RxOUT18	51
		RxOUT19	53
		RxOUT20	54
		RxOUT21	55
		RxOUT22	1
		RxOUT23	2
		RxOUT24	3
		RxOUT25	5
		RxOUT26	6
		RxOUT27	7
		RXCLKOUT	26
8	LVDS GND	GND	4
14	LVDS GND	GND	28
21	LVDS GND	GND	36
22	LVDS GND	GND	44
24	PLL GND	GND	52



Faulty Symbol

Cannot open file
 C:\software\altium\09\Templat
 es\Protocad\UVRICO
 LOGO_final.jpg

	SchEng	SchDrawn	SchECR	SchDate	SchRev
	ENGR	DRAWN	ECR	DATE	REV
DeSerializer.SCHDOC					
PCB ASSY, SchTitle					
SHT 5 OF 7 SHTS					
SchDocNo					

DATESTAMP OF THIS PRINT 2/13/2014 10:29:17 PM +27 (0)12 3493760