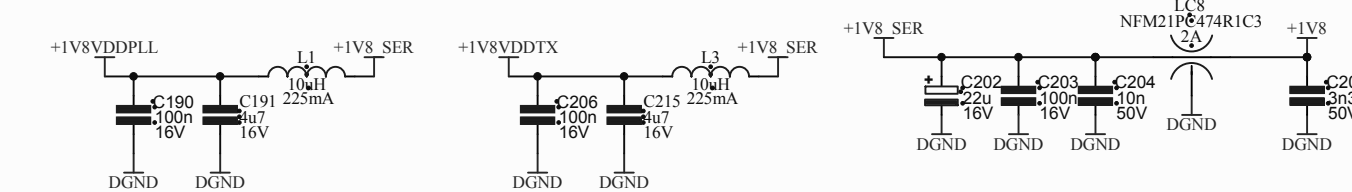
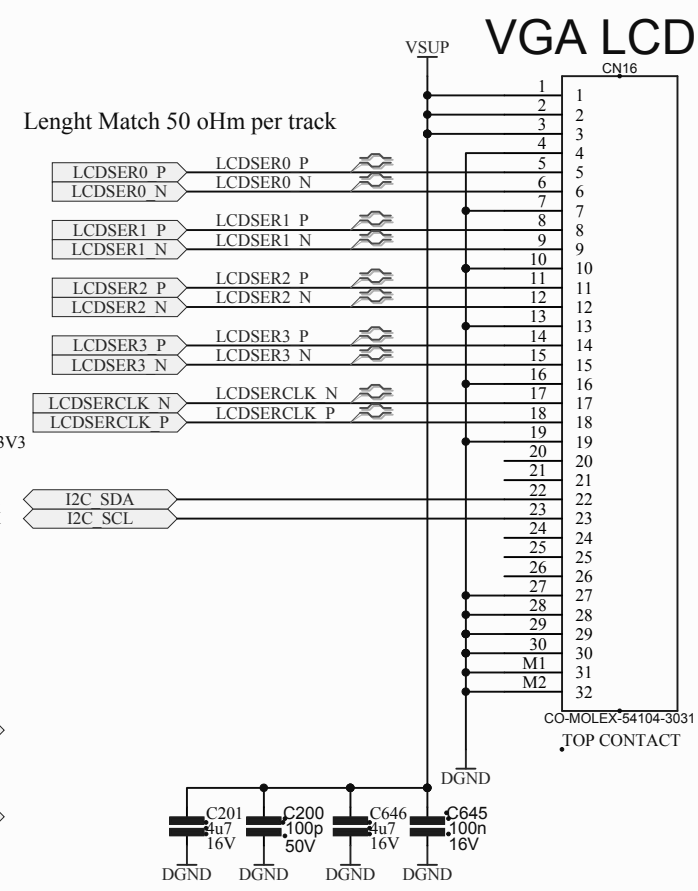
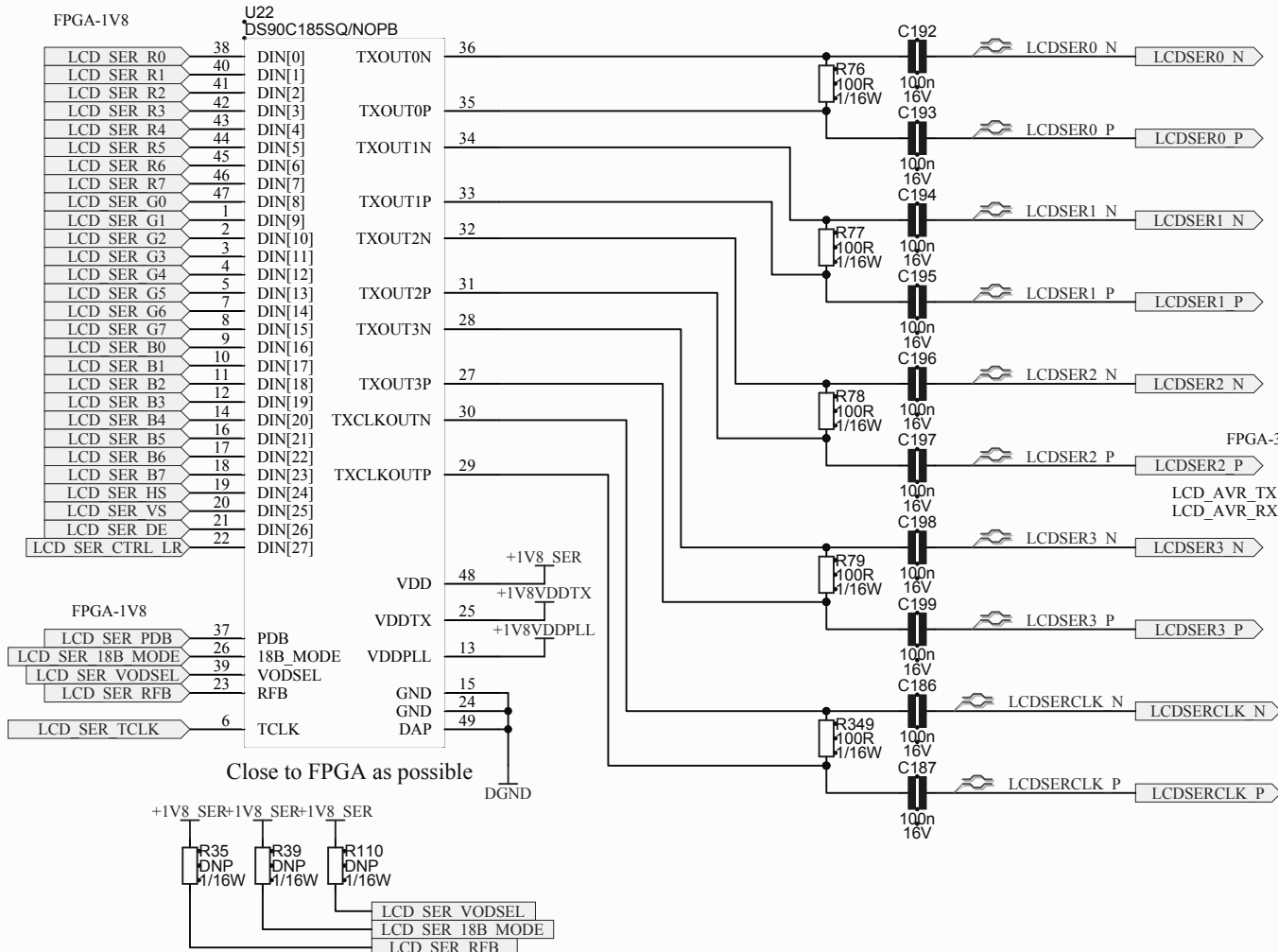


LCD SERIALIZER LVDS



Cannot open file
 C:\software\altium09\Templat
 es\Protocad\U\VIRCO
 LOGO_final.jpg

JM	JM	Nov2013	1
ENGR	DRAWN	ECR	DATE REV

LCD_SERIAL.SCHDOC

PCB ASSY,
 QuvirMain-1
 SHT 15 OF 29 SHTS

QuvirMain-213/1

POBox 39,
 Persequor Technopark,
 Pretoria 0020,
 South Africa
 +27 (0)12 3493760

DATESTAMP OF THIS PRINT 2/13/2014 10:27:28 PM