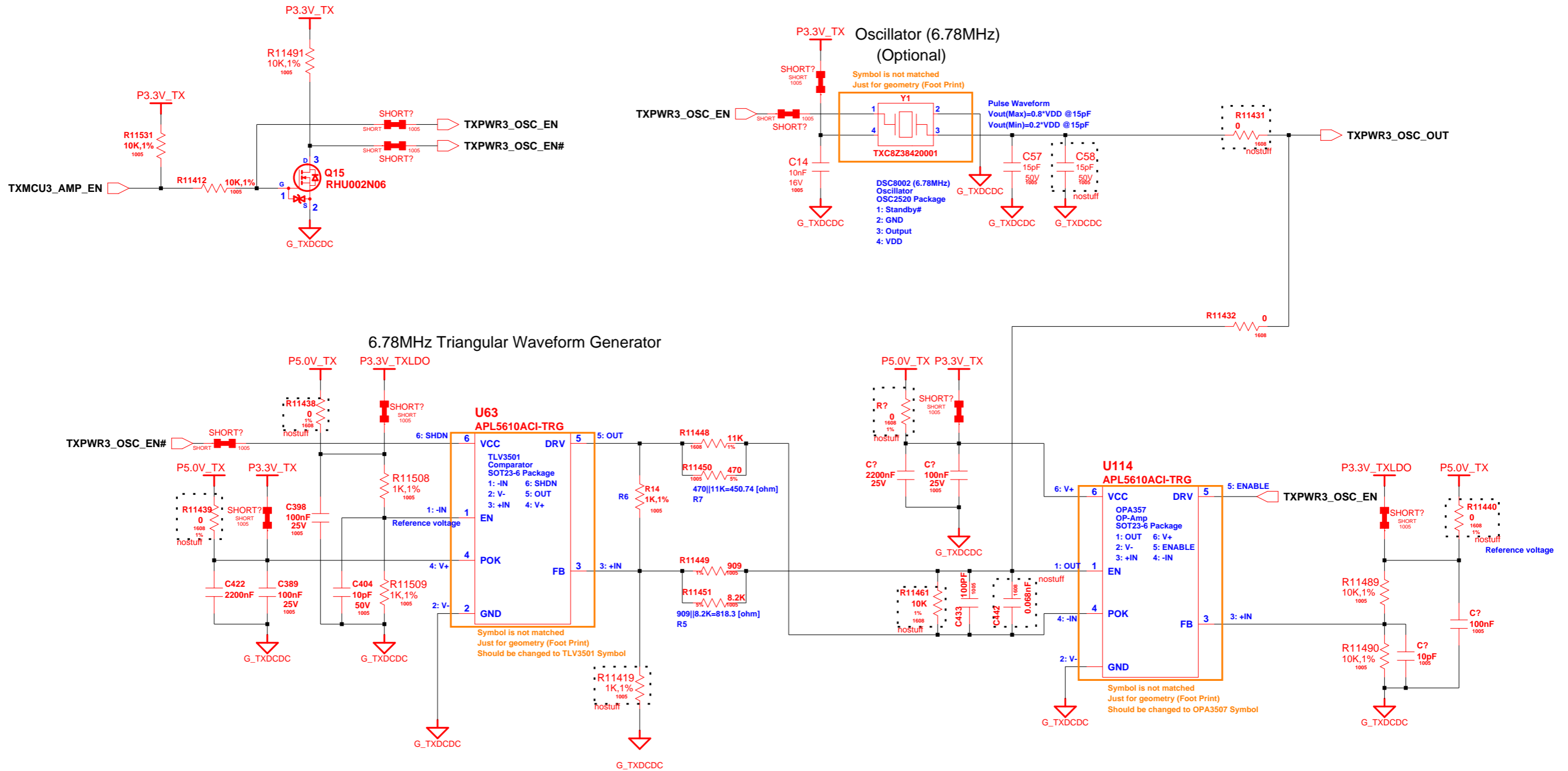


# TX - Power Amplifier

## 1. Oscillator, Triwave Generator (6.78MHz)



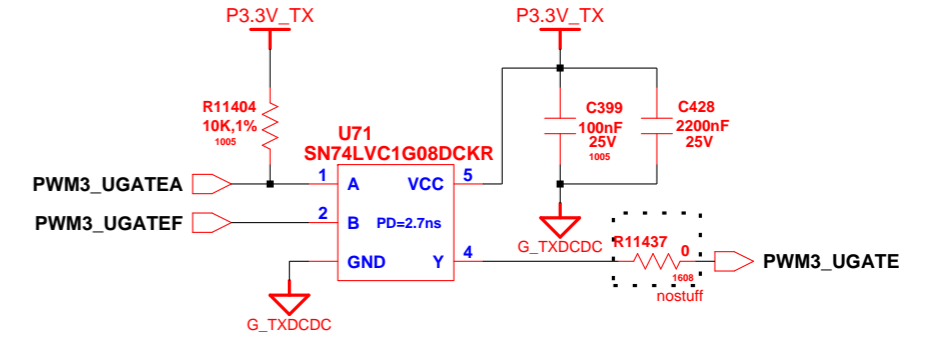
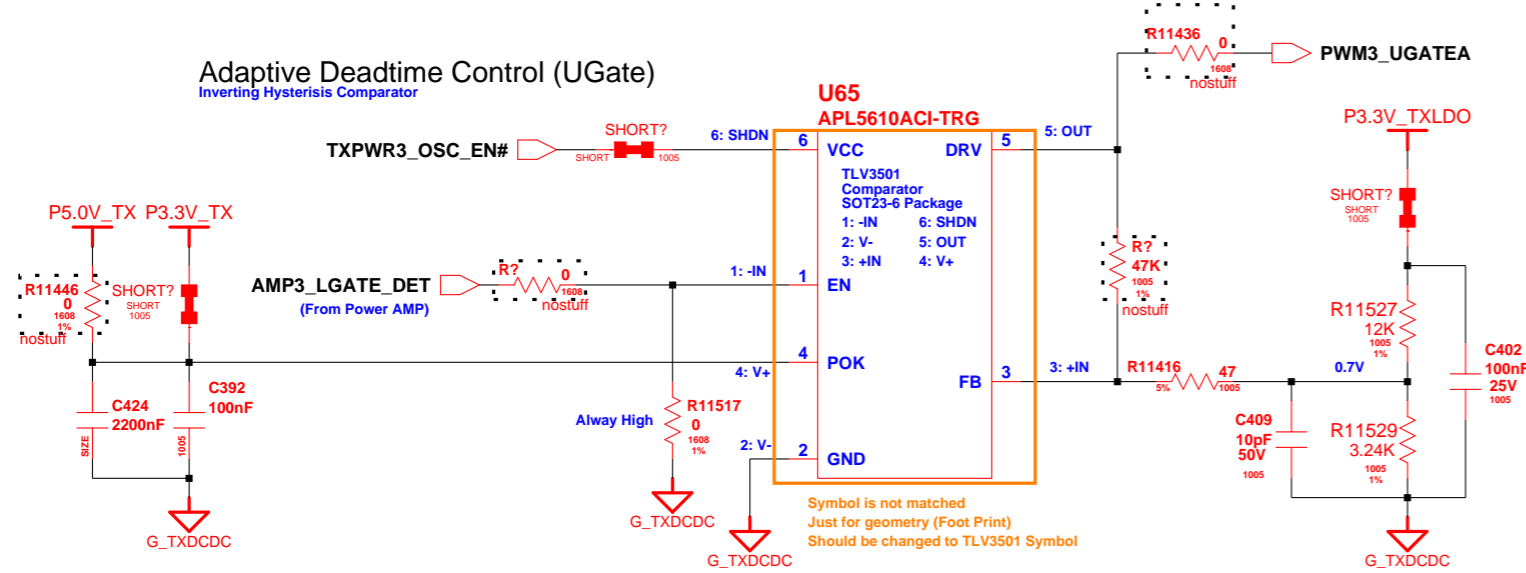
DESIGN	Cho Sungrae	DATE	2014/07/25	TITLE	Wireless Charging TX/RX TX AMPLIFIER	<b>SAMSUNG</b> ELECTRONICS
CHECK	Kim Jong Min	DEV. STEP	Proto	PART NO.		
APPROVAL	Cha Jae Deok	REV	REV 0.2	January 31, 2013 08:37:58 AM		PAGE 6 OF 13
MODULE CODE		LAST EDIT				



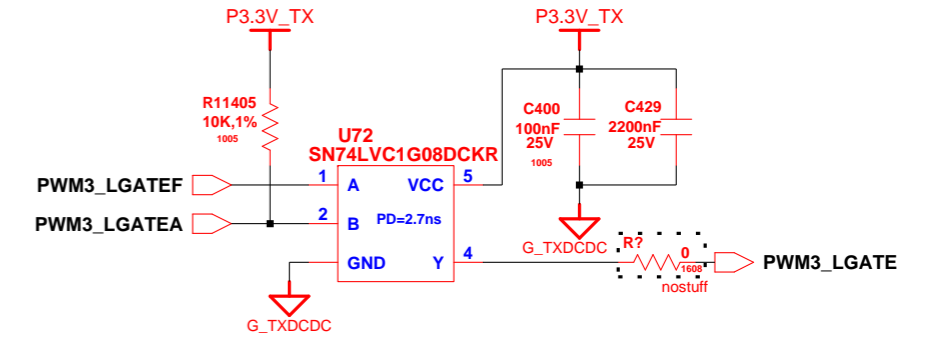
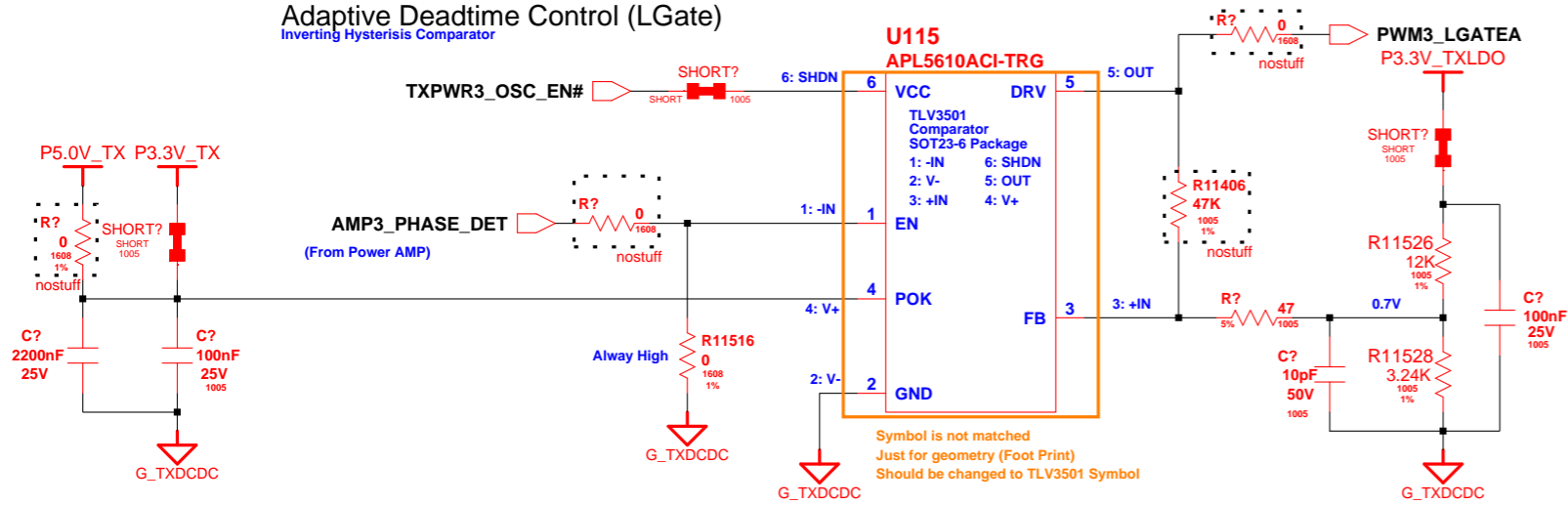
# TX - Power Amplifier

## 3. Adaptive Dead Time Control(6.78MHz)

**Adaptive Deadtime Control (UGate)**  
 Inverting Hysterisis Comparator



**Adaptive Deadtime Control (LGate)**  
 Inverting Hysterisis Comparator

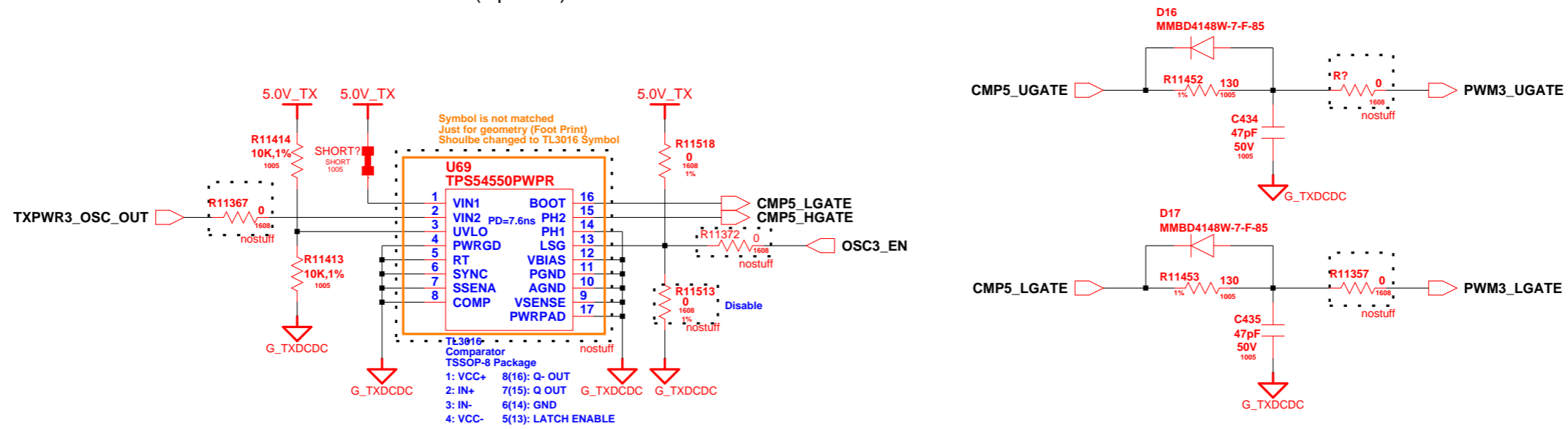


DESIGN	Cho Sungrae	DATE	2014/07/25	TITLE	Wireless Charging TX/RX TX AMPLIFIER	<b>SAMSUNG</b> ELECTRONICS
CHECK	Kim Jong Min	DEV. STEP	Proto	PART NO.		
APPROVAL	Cha Jae Deok	REV	REV 0.2	January 31, 2013 08:37:58 AM		PAGE 8 OF 13
MODULE CODE		LAST EDIT				

# TX - Power Amplifier

## 4. Adaptive Dead Time Control(6.78MHz) by RC

Comparator with Alternative Output  
(Optional)



DESIGN	Cho Sungrae	DATE	2014/07/25	TITLE	Wireless Charging TX/RX TX AMPLIFIER	<b>SAMSUNG</b> ELECTRONICS
CHECK	Kim Jong Min	DEV. STEP	Proto	PART NO.		
APPROVAL	Cha Jae Deok	REV	REV 0.2	January 31, 2013 08:37:58 AM		PAGE 9 OF 13
MODULE CODE		LAST EDIT				