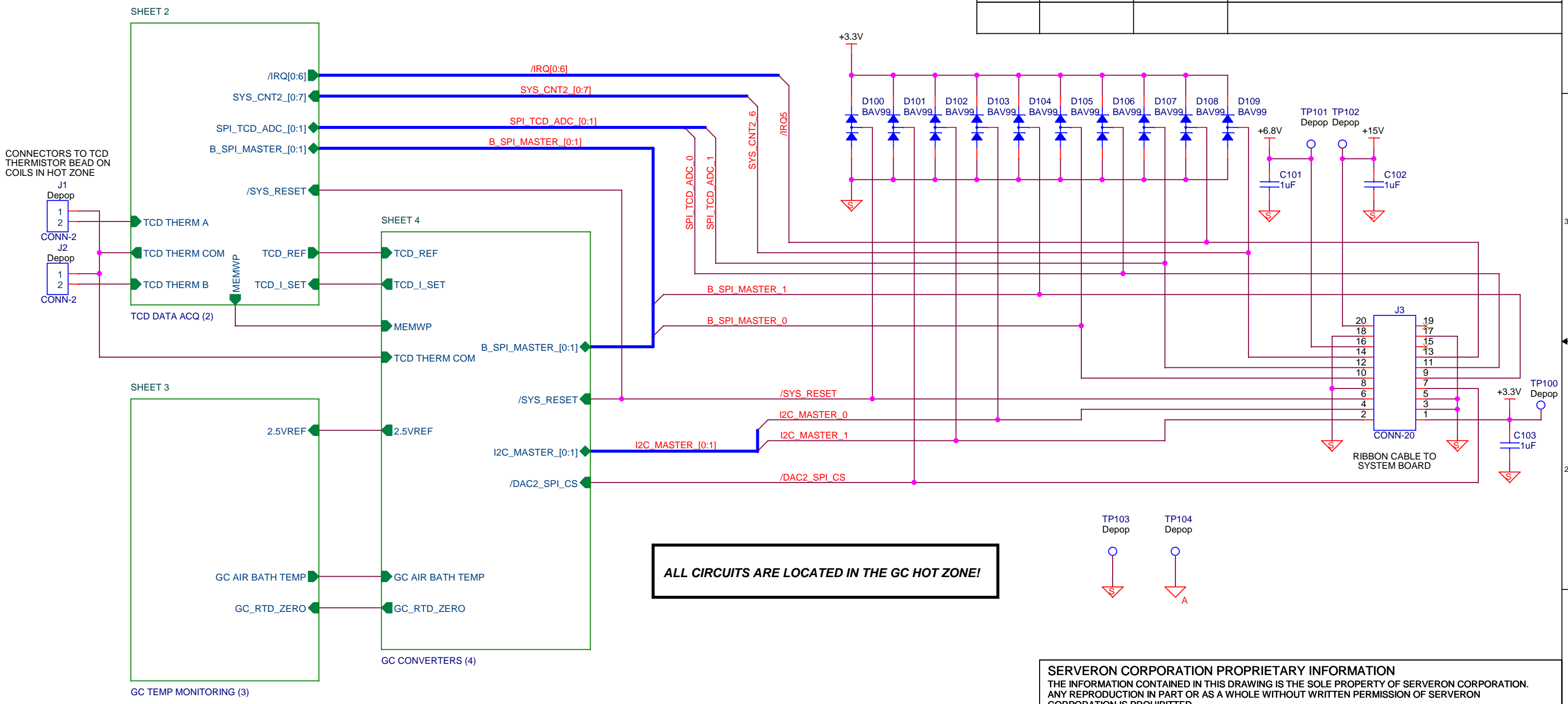
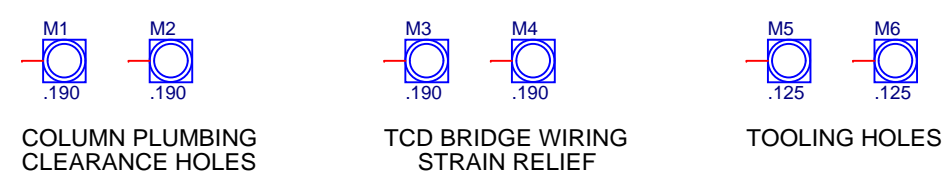


REVISIONS			
REV.	ECN	DFT BY	DESCRIPTION
A	1758	D. McMULLAN	INITIAL RELEASE
B	2542	B. Couch	Depop test points



ALL CIRCUITS ARE LOCATED IN THE GC HOT ZONE!



FILE: 801-0048-02_A.DSN
(OrCAD VERSION 9.20)

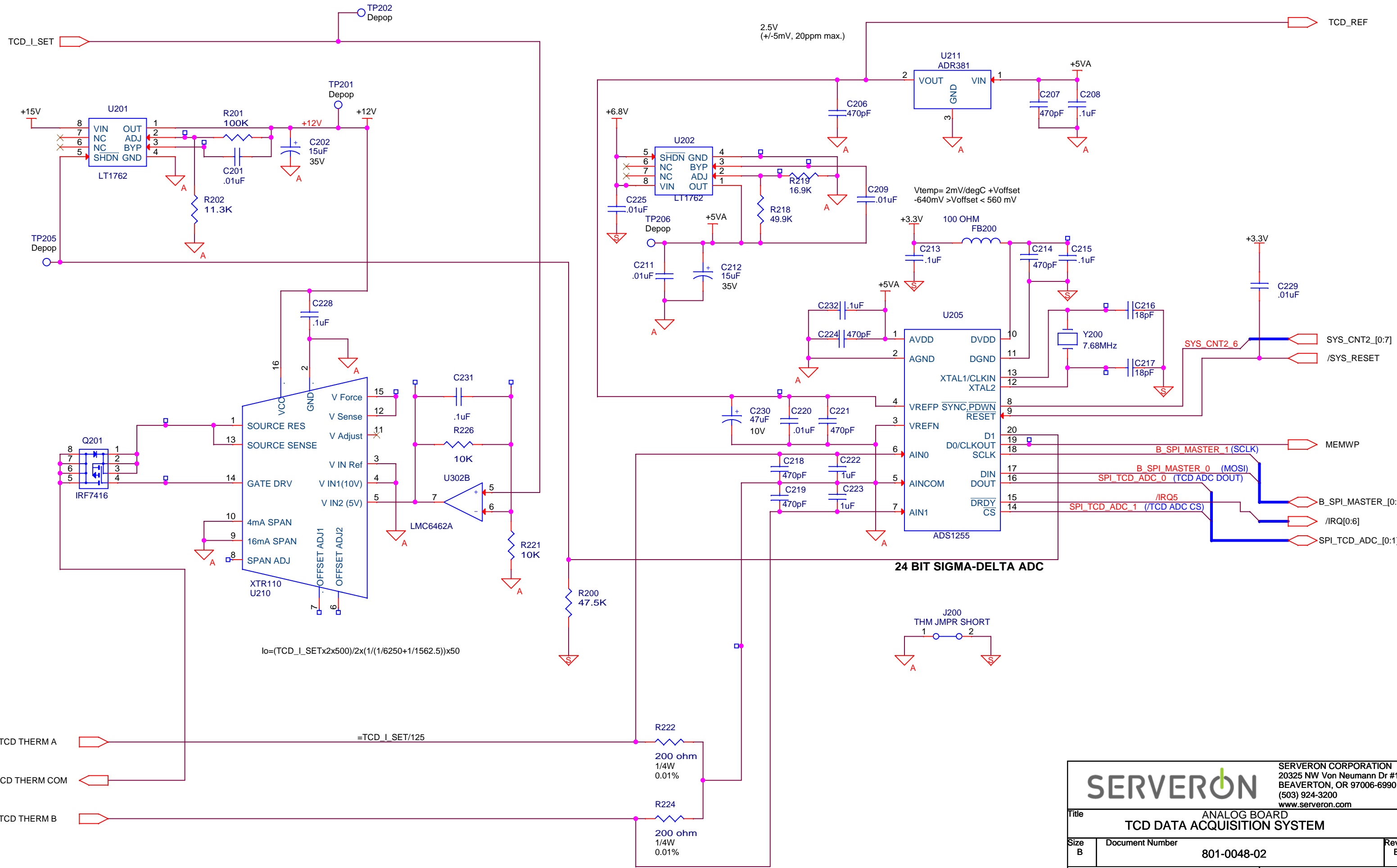
BARE PCB: 316-0048-02 REV A
PCB ASSEMBLY: 700-0048-02 REV A

SERVERON CORPORATION PROPRIETARY INFORMATION
 THE INFORMATION CONTAINED IN THIS DRAWING IS THE SOLE PROPERTY OF SERVERON CORPORATION. ANY REPRODUCTION IN PART OR AS A WHOLE WITHOUT WRITTEN PERMISSION OF SERVERON CORPORATION IS PROHIBITED.

SERVERON
 20325 NW Von Neumann Dr #120
 BEAVERTON, OR 97006-6990
 (503) 924-3200
 www.serveron.com

ANALOG BOARD

Title: ANALOG BOARD
 Document Number: 801-0048-02
 Date: Tuesday, October 15, 2013 Sheet 1 of 4

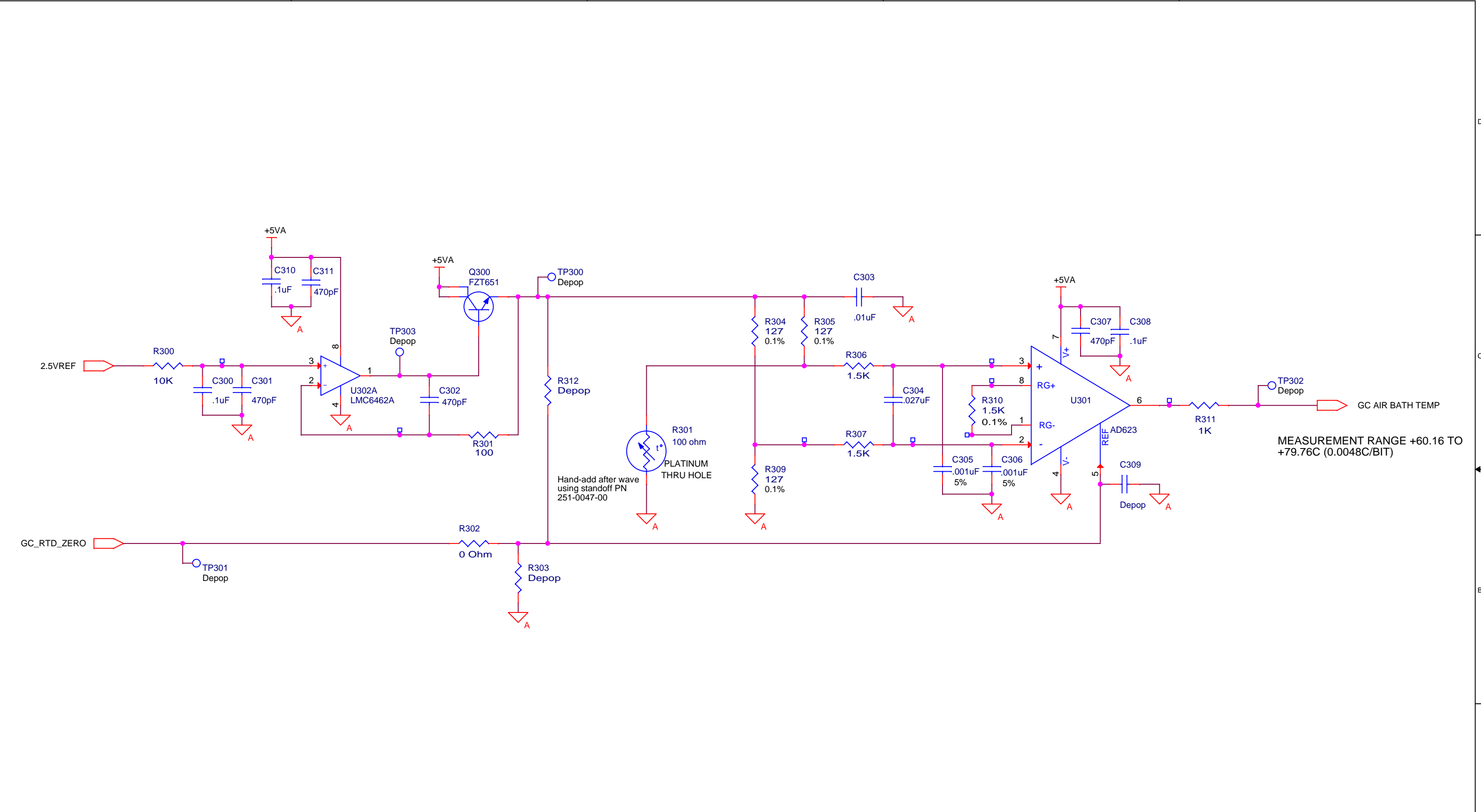


$$I_o = (TCD_I_SET \times 2 \times 500) / 2 \times (1 / (1 / 6250 + 1 / 1562.5)) \times 50$$

$$= TCD_I_SET / 125$$

24 BIT SIGMA-DELTA ADC

SERVERON CORPORATION 20325 NW Von Neumann Dr #120 BEAVERTON, OR 97006-6990 (503) 924-3200 www.serveron.com		
Title ANALOG BOARD TCD DATA ACQUISITION SYSTEM		
Size B	Document Number 801-0048-02	Rev B
Date: Tuesday, October 15, 2013	Sheet 2	of 4



GC AIR BATH TEMP
 MEASUREMENT RANGE +60.16 TO
 +79.76C (0.0048C/BIT)

		SERVERON CORPORATION 20325 NW Von Neumann Dr #120 BEAVERTON, OR 97006-6990 (503) 924-3200 www.serveron.com	
		Title: ANALOG BOARD GC ZONE - TEMPERATURE MONITORING	
Size B	Document Number	Rev B	
	801-0048-02		
Date:	Tuesday, October 15, 2013	Sheet	3 of 4

