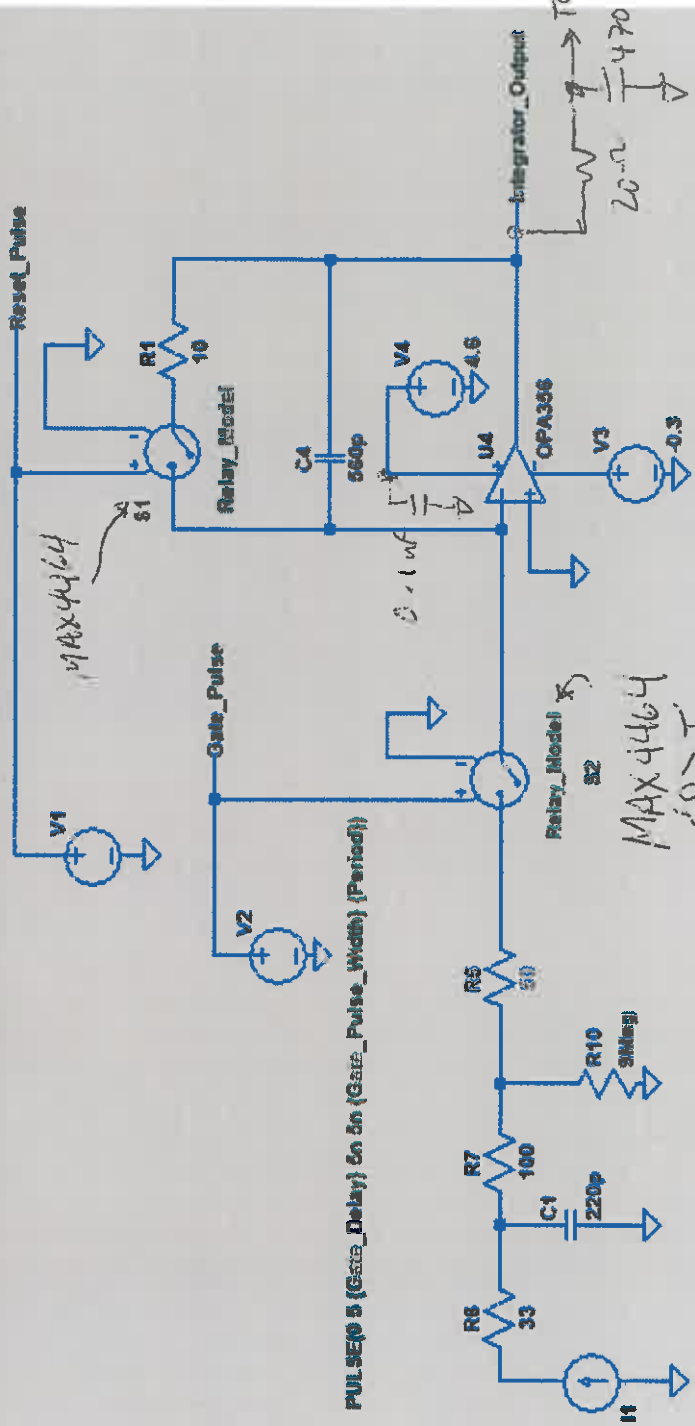


PULSE(5 0 (Reset\_Delay) 10n 10n (Reset\_Pulse\_Width) (Period))



PULSE(0 5 (Gate\_Delay) 5n 5n (Gate\_Pulse\_Width) (Period))

TO ADS8324 "INT" pin

470pF

MAX4464 SPDT CMOS switch

LOW charge injection  
SPC typical