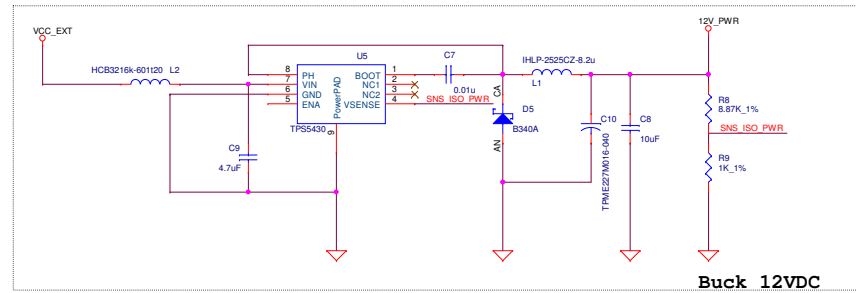
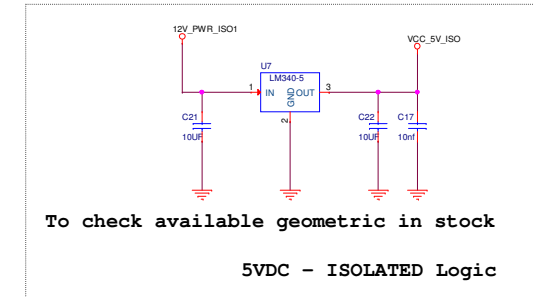


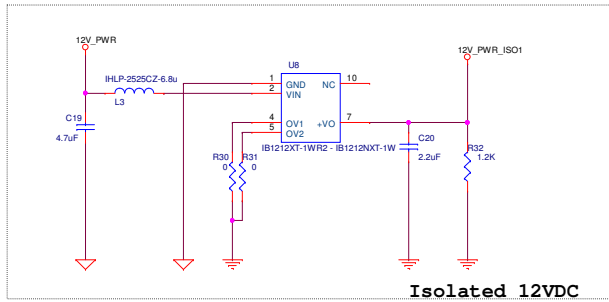
Press & Violacity Sensor Inputs Filter



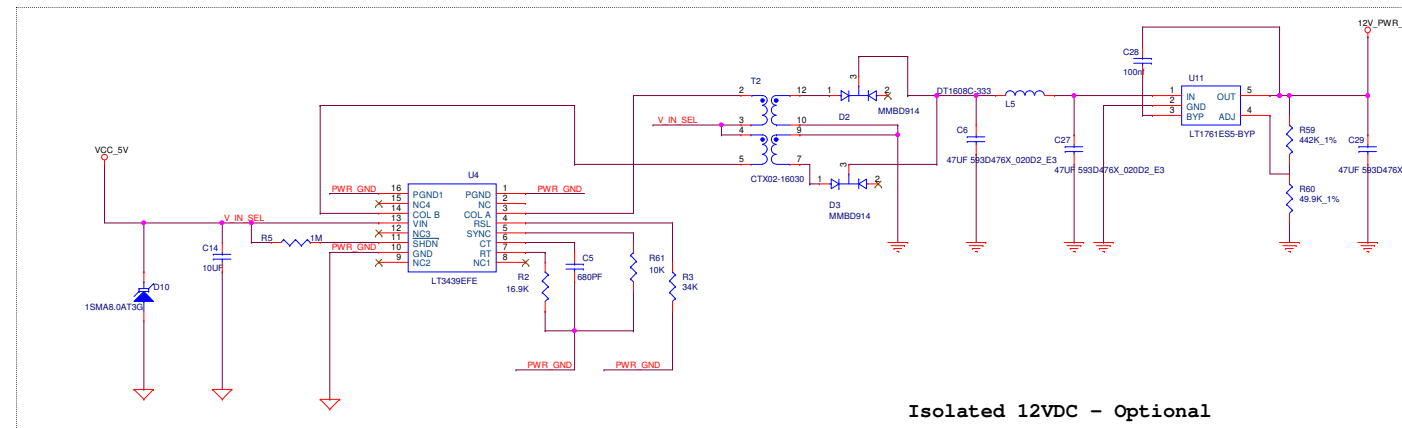
Buck 12VDC



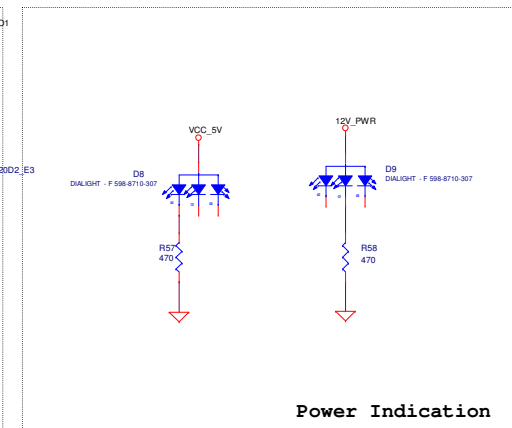
To check available geometric in stock
5VDC - ISOLATED Logic



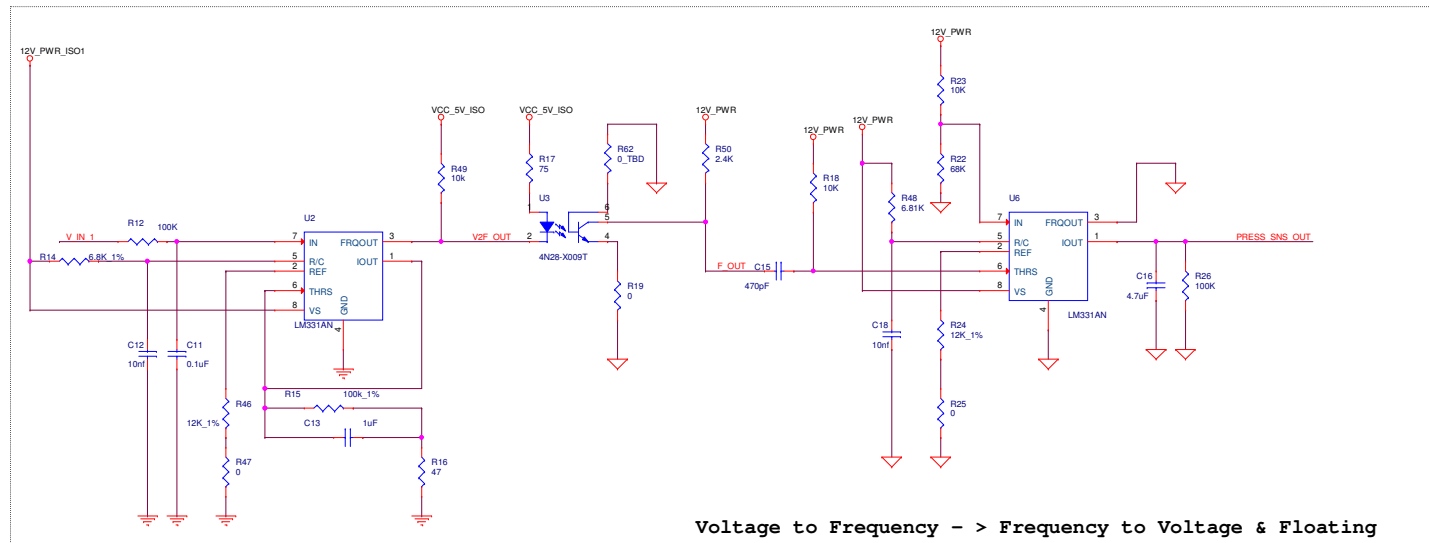
Isolated 12VDC



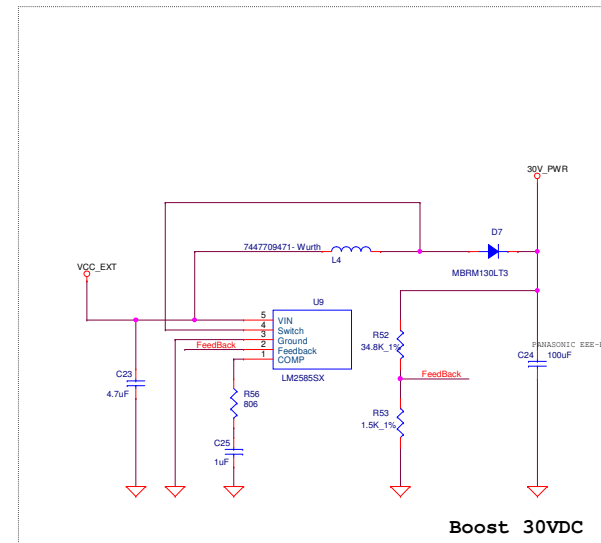
Isolated 12VDC - Optional



Power Indication



Voltage to Frequency -> Frequency to Voltage & Floating



Boost 30VDC

