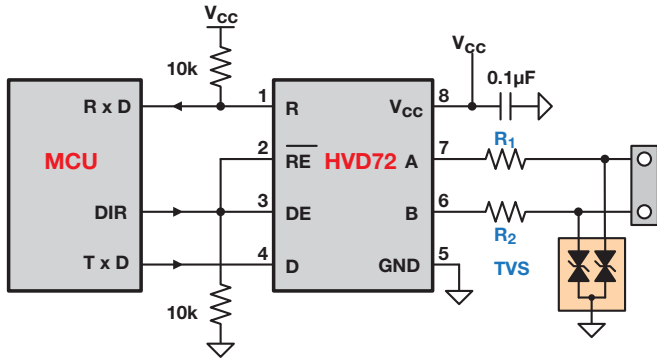


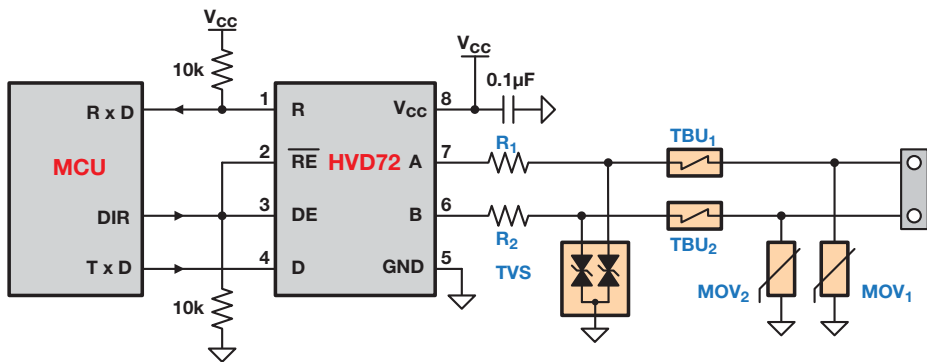
# RS-485 Reference Guide

## → Transient Protection



Device	Function	Order Number	Manufacturer
R <sub>1</sub> , R <sub>2</sub>	10Ω, Pulse-Proof Thick-Film Resistor	CRCW0603010RJNEAHP	Vishay
TVS	Bidirectional 400W Transient Suppressor	CDS0T23-SM712	Bourns
TBU <sub>1</sub> , TBU <sub>2</sub>	Bidirectional, 200mA Transient Blocking Unit	TBU-CA-065-200-WH	Bourns
MOV <sub>1</sub> , MOV <sub>2</sub>	200V, Metal-Oxide Varistor	MOV-10D201K	Bourns

**ESD: 12kV contact, 15kV air; EFT: 4kV; Surge: 1kV**

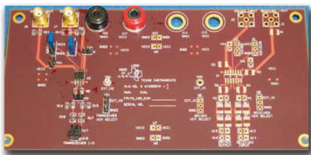


**ESD: 12kV contact, 16kV air  
EFT: 4kV  
Surge: 5kV  
Power Cross: 125Vrms**

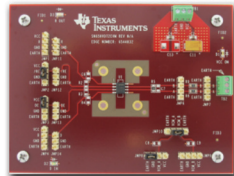
Transient protection against ESD, EFT and surge transients – [www.ti.com/transientprotection](http://www.ti.com/transientprotection)

## → Evaluation Boards

RS-485 EVM  
SN65HVD22EVM  
Evaluation Module



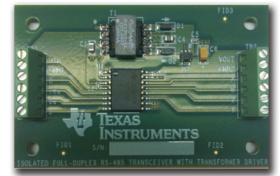
RS-485 EVM  
SN65HVD72EVM  
Evaluation Module



Isolated RS-485 EVM  
ISO1176EVM  
Evaluation Module



Isolated RS-485 EVM  
ISO3086T Small EVM  
Evaluation Module



## → Technical Support and Resources

### TI Worldwide Online Technical Support

- TI Semiconductor Product Information Center Home Page ..... [support.ti.com](http://support.ti.com)
- TI E2E™ Community Home Page ..... [e2e.ti.com](http://e2e.ti.com)
- Worldwide Product Information Center ..... [www.ti.com/worldwidepic](http://www.ti.com/worldwidepic)

**Important Notice:** The products and services of Texas Instruments Incorporated and its subsidiaries described herein are sold subject to TI's standard terms and conditions of sale. Customers are advised to obtain the most current and complete information about TI products and services before placing orders. TI assumes no liability for applications assistance, customer's applications or product designs, software performance, or infringement of patents. The publication of information regarding any other company's products or services does not constitute TI's approval, warranty or endorsement thereof.

© 2012 Texas Instruments Incorporated. The platform bar and E2E, are trademarks of Texas Instruments. All other trademarks are the property of their respective owners. Printed in U.S.A.