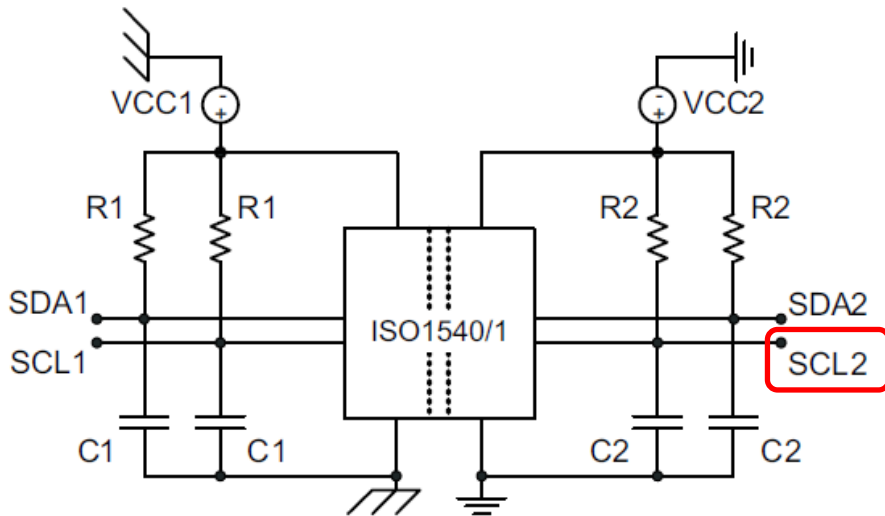


Changed referred GND



Output CLK from SCL2 is skipped though CLK is input to SCL1 correctly. This behavior is confirmed when the load current at DC/DC converter on the same board is heavy, so the VCC or GND line may be noisy.

[Question]

Is it possible that the noise on VCC or GND will be the cause of such pulse skip?