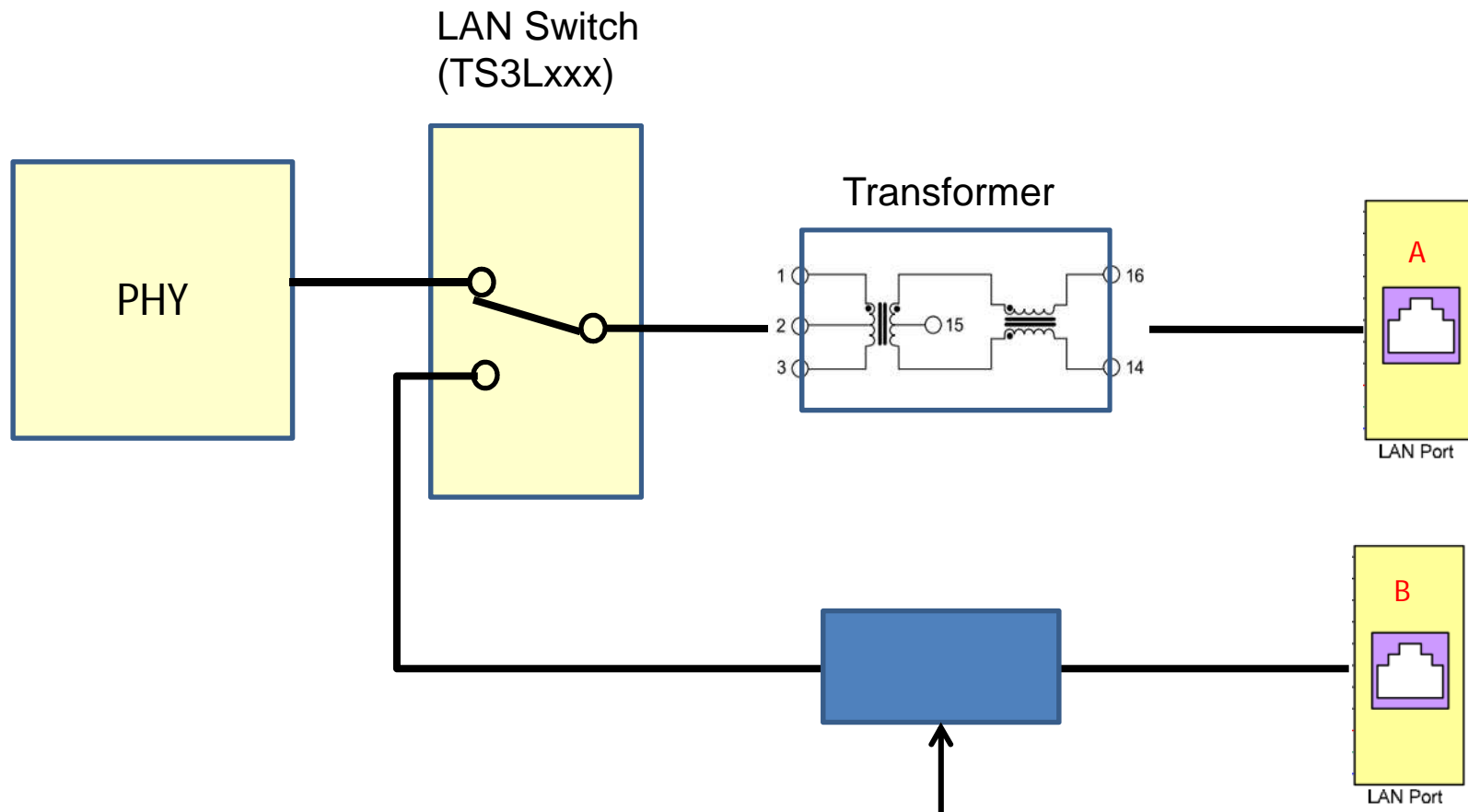


Case-1: Connect PHY and Port A
Case-2: Connect Port A and Port B



May need Transformer to isolate LAN switch and LAN port