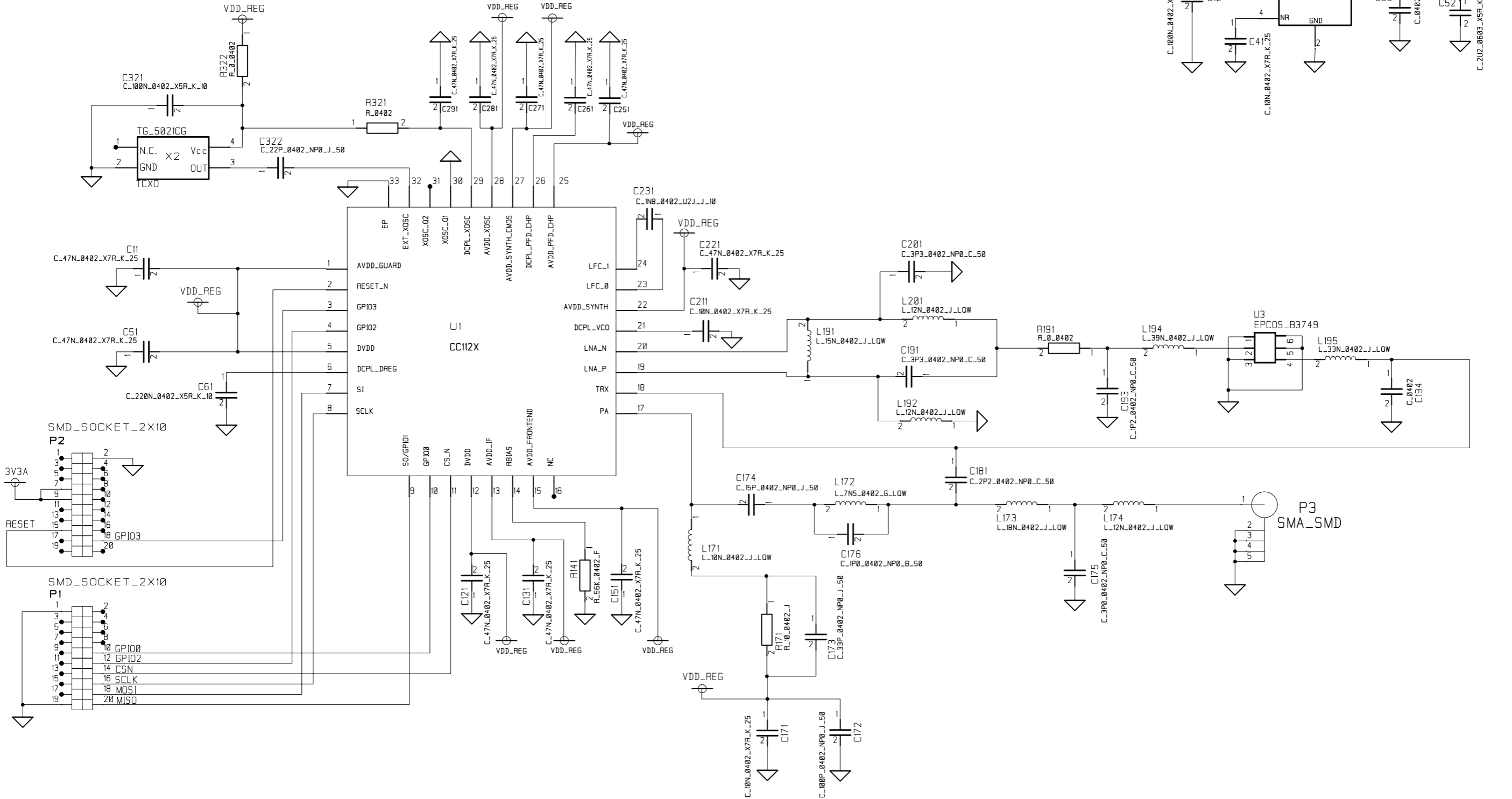


FIDUCIAL_MARK FM1 FIDUCIAL_MARK FM2 FIDUCIAL_MARK FM3

L1 is a bead to be mounted if the regulator U2 is not mounted.
This ref des will default not use regulator
Do not mount: U2, C12, C41, C53



CC1125 Category 1

CONTRACT NO.		COMPANY NAME			
03236		Texas Instruments			
APPROVALS	DATE	DWG			
		CC1125 Cat1 EM			
DRAWN	SHE/FRS	SIZE	FSCM NO.	DWG NO.	REV.
CHECKED		A3			1.1.1
ISSUED		SCALE		SHEET 1 of 1	