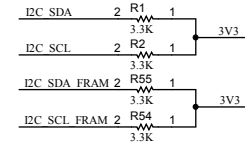
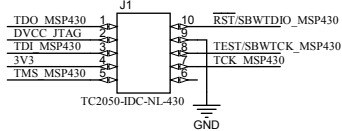
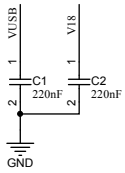
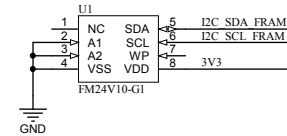


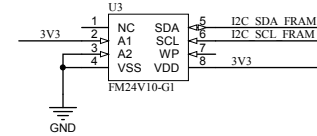
Close to MSP430



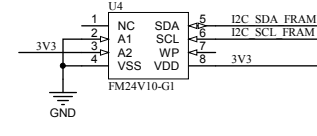
Address 0x50



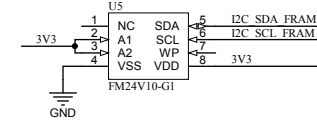
Address 0x52



Address 0x54



Address 0x56



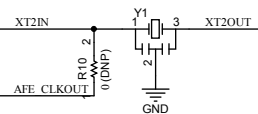
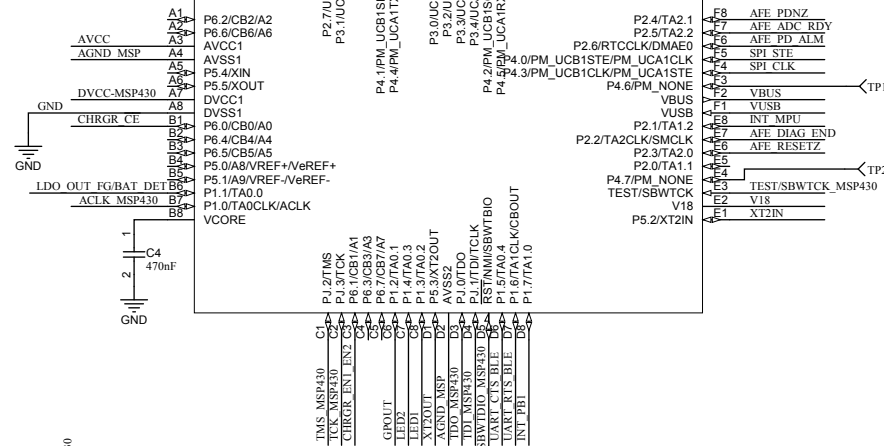
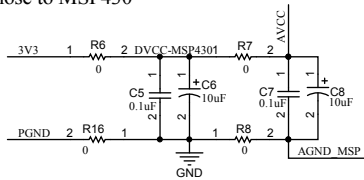
U_Wrist Watch_Sheet2
Wrist Watch_Sheet2.SchDoc

U_Wrist Watch_Sheet4
Wrist Watch_Sheet4.SchDoc

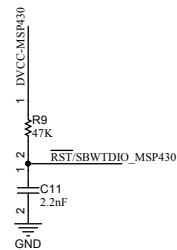
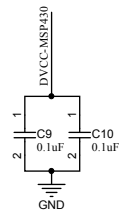
U_Wrist Watch_Sheet3
Wrist Watch_Sheet3.SchDoc

U_Wrist Watch_Sheet5
Wrist Watch_Sheet5.SchDoc

Close to MSP430



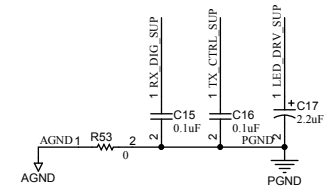
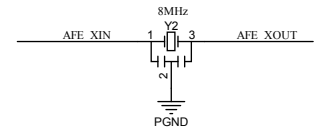
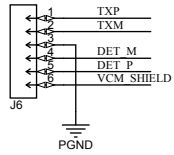
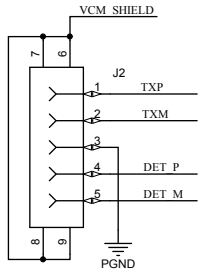
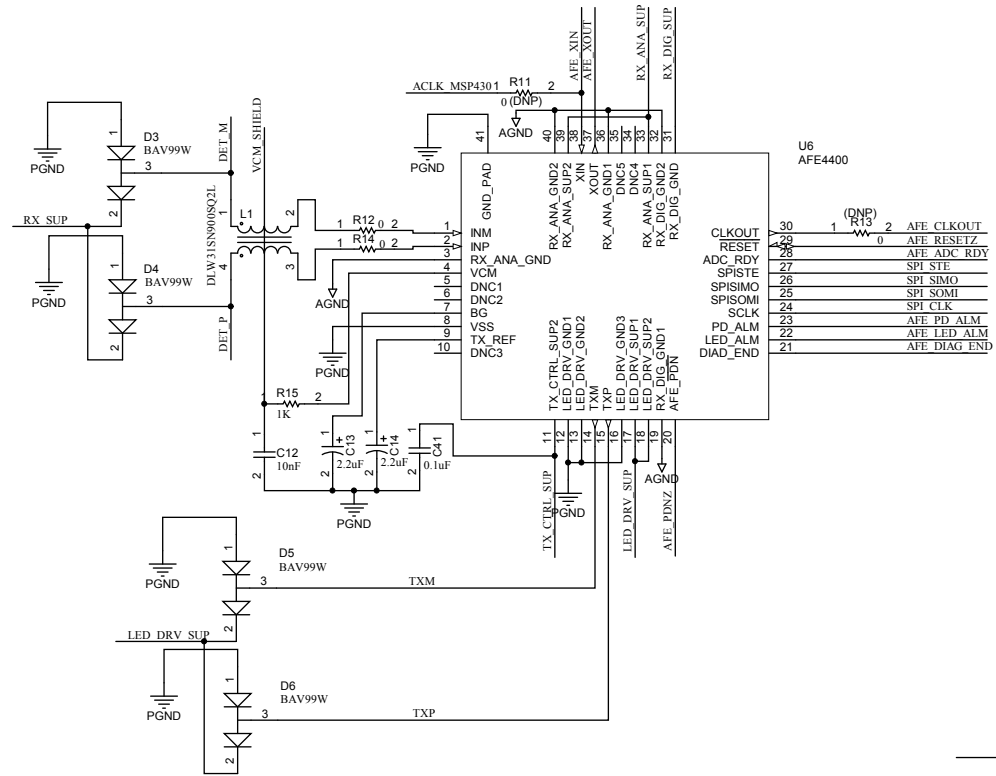
Decoupling Caps



Texas Instruments and/or its licensors do not warrant the accuracy or completeness of this specification or any information contained therein. Texas Instruments and/or its licensors do not warrant that this design will meet the specifications, will be suitable for your application or fit for any particular purpose, or will operate in an implementation. Texas Instruments and/or its licensors do not warrant that the design is production worthy. You should completely validate and test your design implementation to confirm the system functionality for your application.

Designed for: Public Release
Project: Wrist Watch
Sheet Title: ChangeMe
Size: A3
Assembly Variant: Variant name not interpreted
Contact: <http://www.ti.com/support>
Mod. Date: 1/28/2013
Sheet: 1 of 5
Rev: Rev B





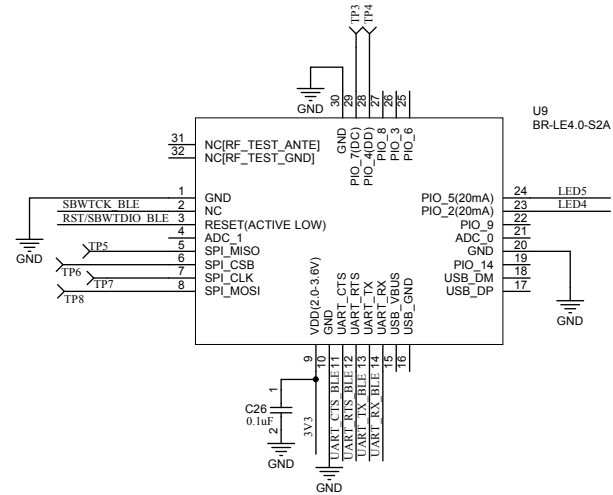
Texas Instruments and/or its licensors do not warrant the accuracy or completeness of this specification or any information contained therein. Texas Instruments and/or its licensors do not warrant that this design will meet the specifications, will be suitable for your application or fit for any particular purpose, or will operate in an implementation. Texas Instruments and/or its licensors do not warrant that the design is production worthy. You should completely validate and test your design implementation to confirm the system functionality for your application.

| | |
|--|--------------------------------------|
| Designed for: Public Release | Mod. Date: 1/28/2013 |
| Project: Wrist Watch | |
| Sheet Title: ChangeMe | Sheet 2 of 5 |
| Size: A3 | Schematic: 870Wrist Watch Rev. Rev B |
| Assembly Variant: Variant name not interpreted | |
| File: HRMPOx MSP430_AFE4400_BLE_Sheet2.SchDoc | |
| Contact: http://www.ti.com/support | |

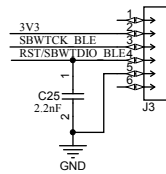


<http://www.ti.com>

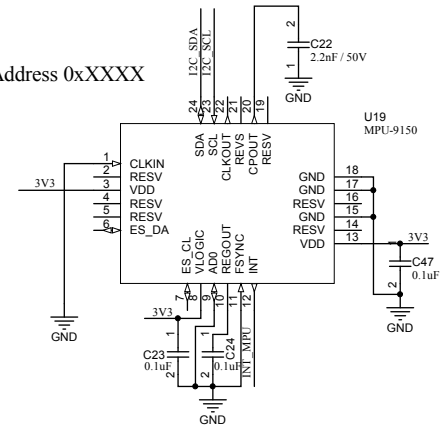
© Texas Instruments. Copyright 2013



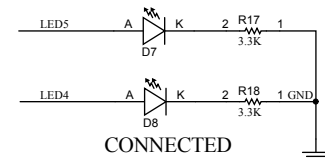
BT/BLE MODULE SPY-BY-WIRE



Address 0xXXXX

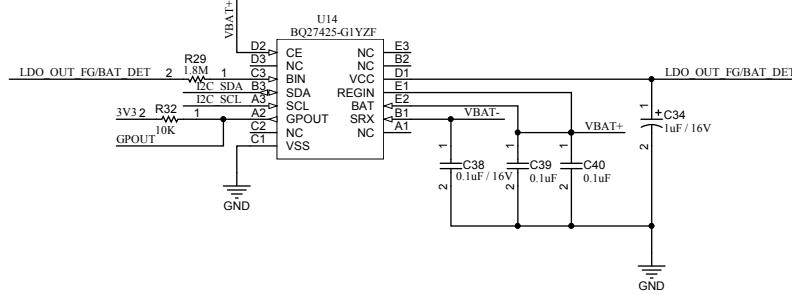
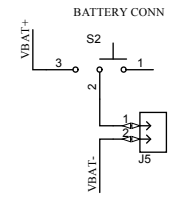
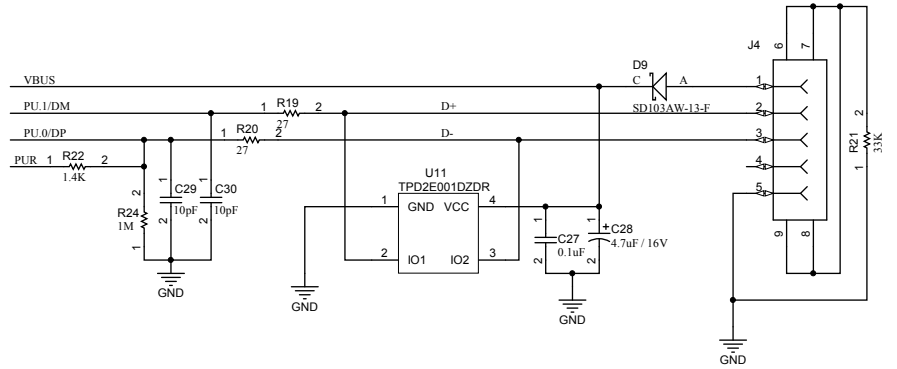
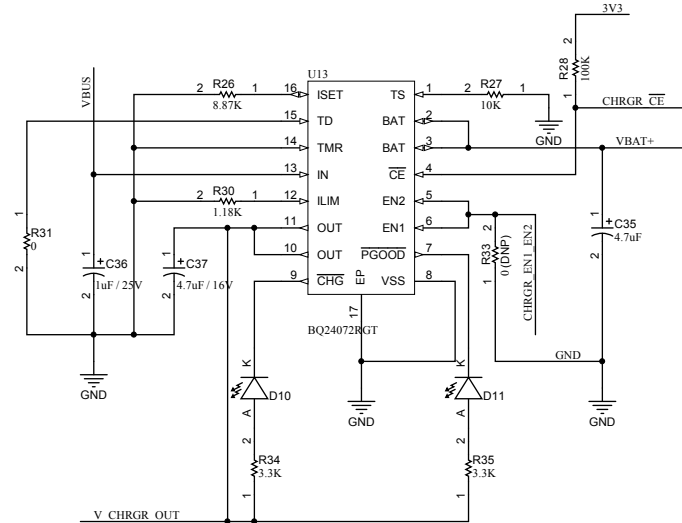
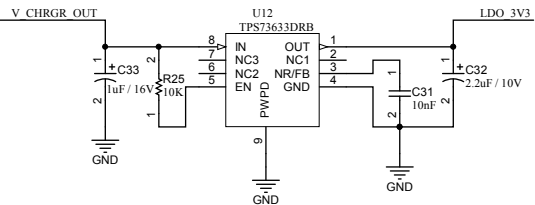
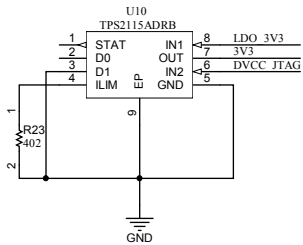


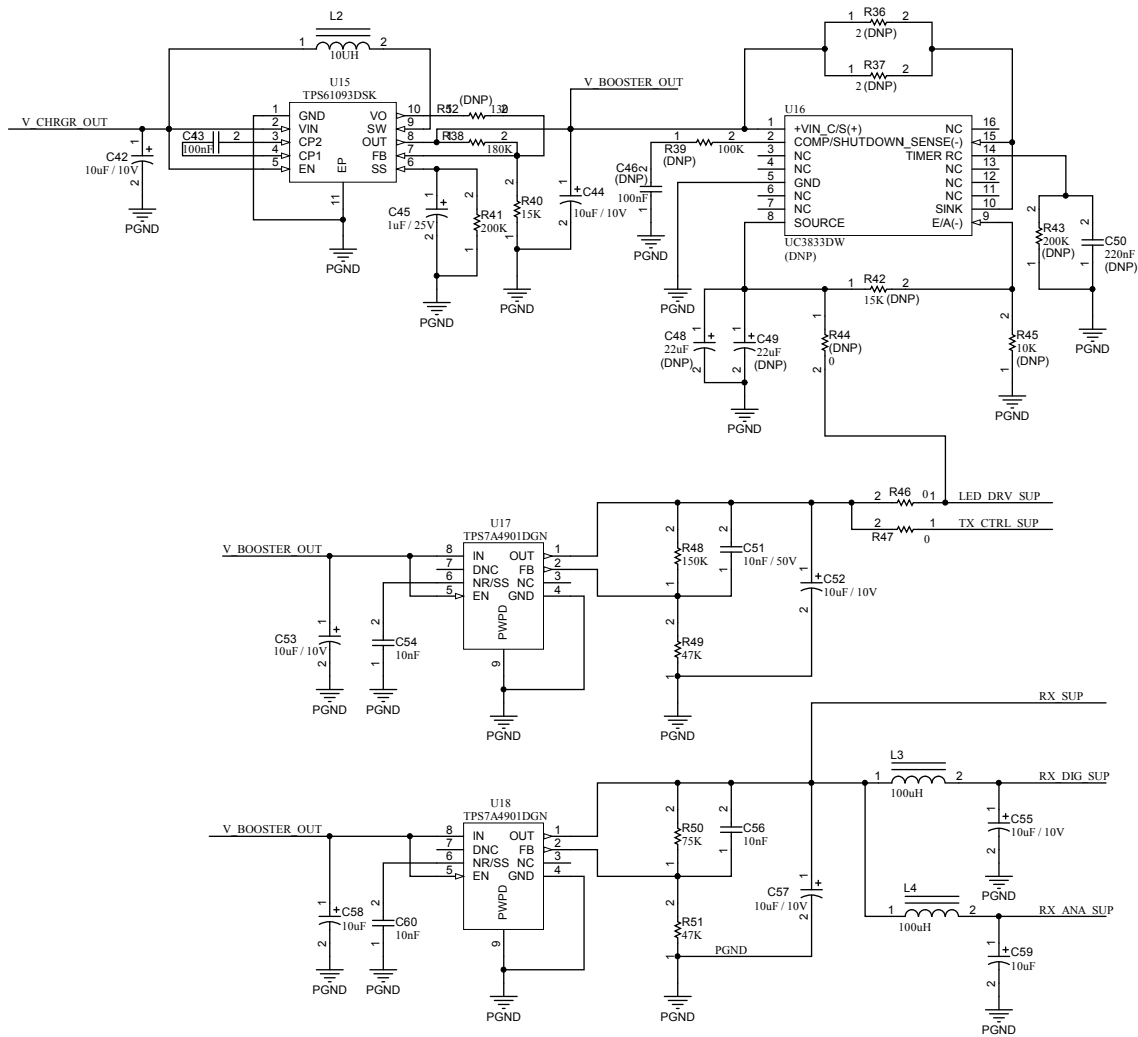
STATE



Texas Instruments and/or its licensors do not warrant the accuracy or completeness of this specification or any information contained therein. Texas Instruments and/or its licensors do not warrant that this design will meet the specifications, will be suitable for your application or fit for any particular purpose, or will operate in an implementation. Texas Instruments and/or its licensors do not warrant that the design is production worthy. You should completely validate and test your design implementation to confirm the system functionality for your application.

| | |
|--|---------------------------|
| Designed for: Public Release | Mod. Date: 1/25/2013 |
| Project: Wrist Watch | |
| Sheet Title: Wrist Watch | Sheet: 3 of 5 |
| Size: A3 | Schematic: 870Wrist Watch |
| Assembly Variant: Variant name not interpreted | Rev: Rev B |
| File: HRMPOx MSP430_AFE4400_BLE_Sheet3.SchDoc | |
| Contact: http://www.ti.com/support | |





Texas Instruments and/or its licensors do not warrant the accuracy or completeness of this specification or any information contained therein. Texas Instruments and/or its licensors do not warrant that this design will meet the specifications, will be suitable for your application or fit for any particular purpose, or will operate in an implementation. Texas Instruments and/or its licensors do not warrant that the design is production worthy. You should completely validate and test your design implementation to confirm the system functionality for your application.

| | |
|--|---------------------------|
| Designed for: Public Release | Mod. Date: 1/28/2013 |
| Project: Wrist Watch | |
| Sheet Title: ChangeMe | Sheet 5 of 5 |
| Size: A3 | Schematic: 870Wrist Watch |
| Assembly Variant: Variant name not interpreted | Rev: Rev B |
| File: HRMPOx MSP430_AFE4400_BLE_Sheet5.SchDoc | |
| Contact: http://www.ti.com/support | |



<http://www.ti.com>

© Texas Instruments. Copyright 2013