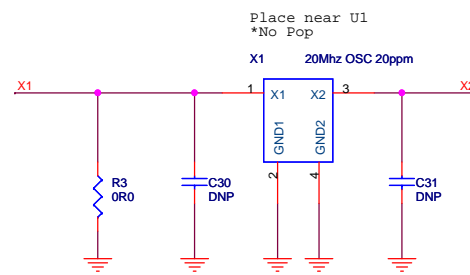
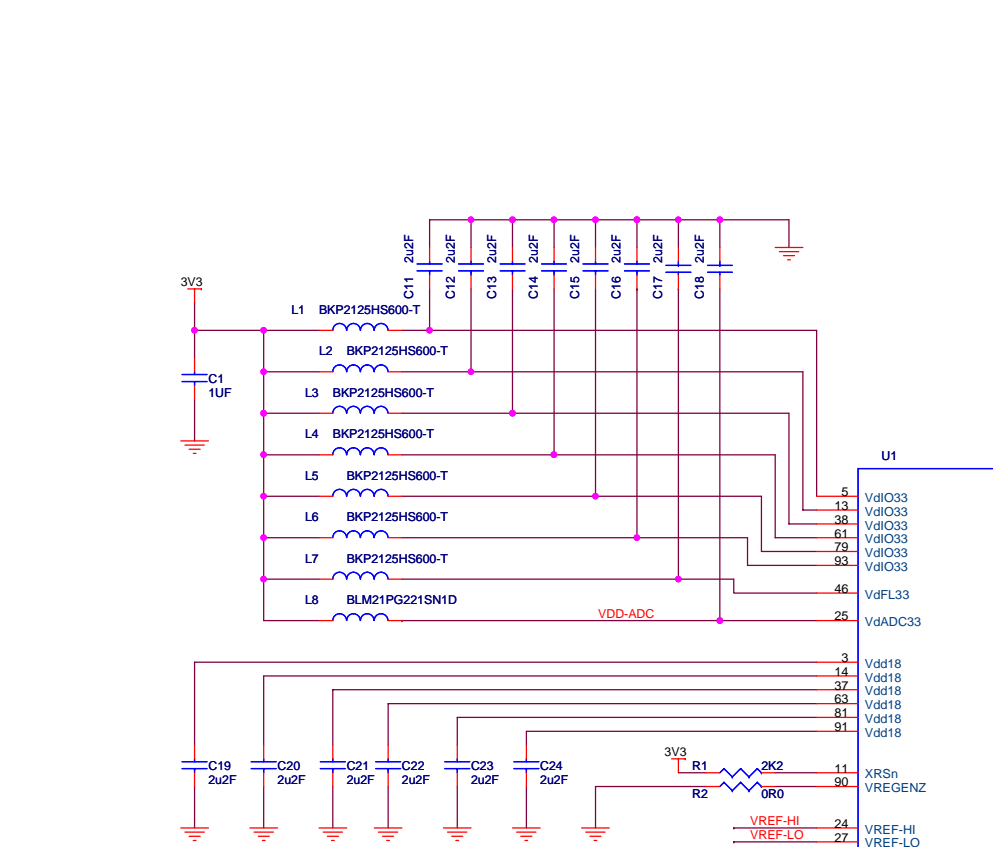


- 0.1 - First Draft
- 0.1b - Fixed ISO TX/RX connections
- 0.1c - Release - fixed Q200 foot print
- 0.2 - Release - fixed USB issues
- 0.3 - Release - fixed C71 to be 450V 1206 part

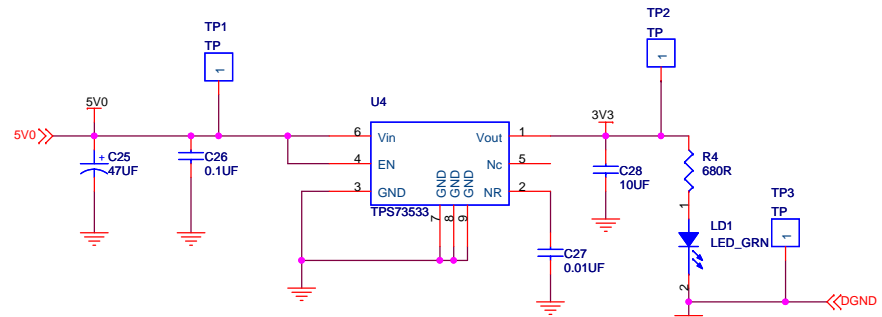
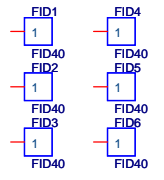
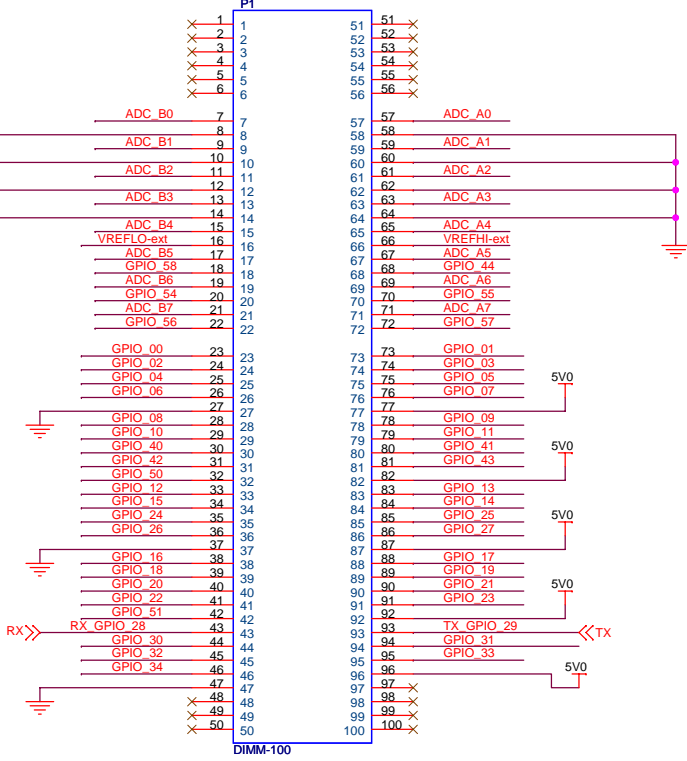
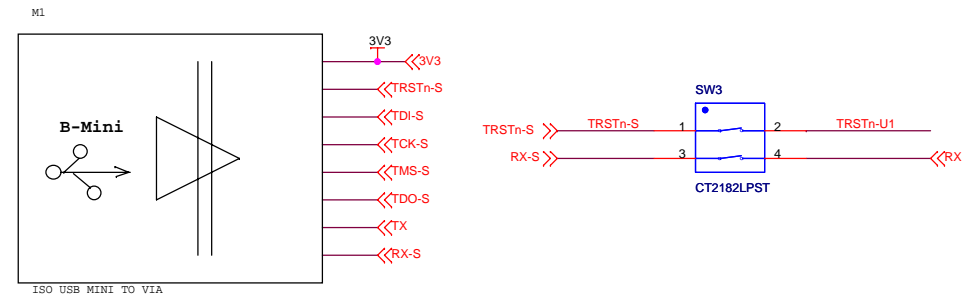
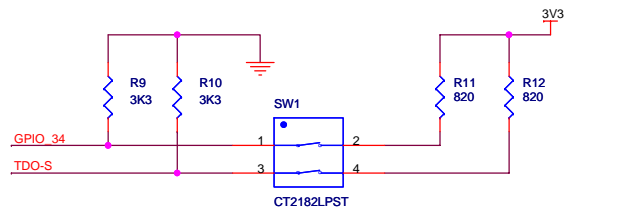
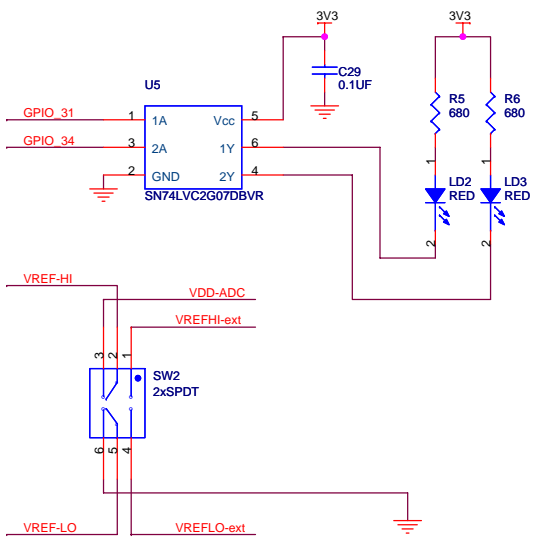
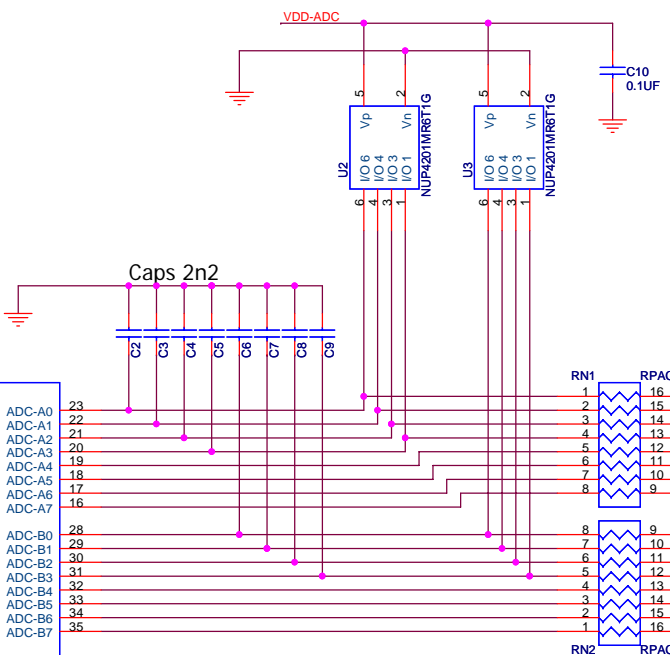
DIRECTORY:

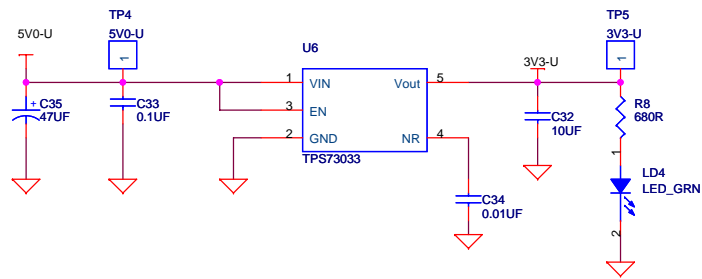
- 1 - Notes
- 2 - MCU
- 3 - USB
- 4 - USB Power 2

Title: F2806x Controller Card		TI	
Page Contents: Notes			
Size: B	F2806x_CONTROLLERCARD_V0.3.DSN	Revision:	0.3
Date:	Thursday, October 18, 2012	Sheet 1 of	3



Internal crystal is used by default.
 If external crystal is desired X1 can be populated with a crystal oscillator (for example Digikey part 300-8214-1-ND), R3 should be unpopulated, and C30+C31 should be populated with a 15pF C0G capacitor.





Ferrite Bead: 240-1018-1

