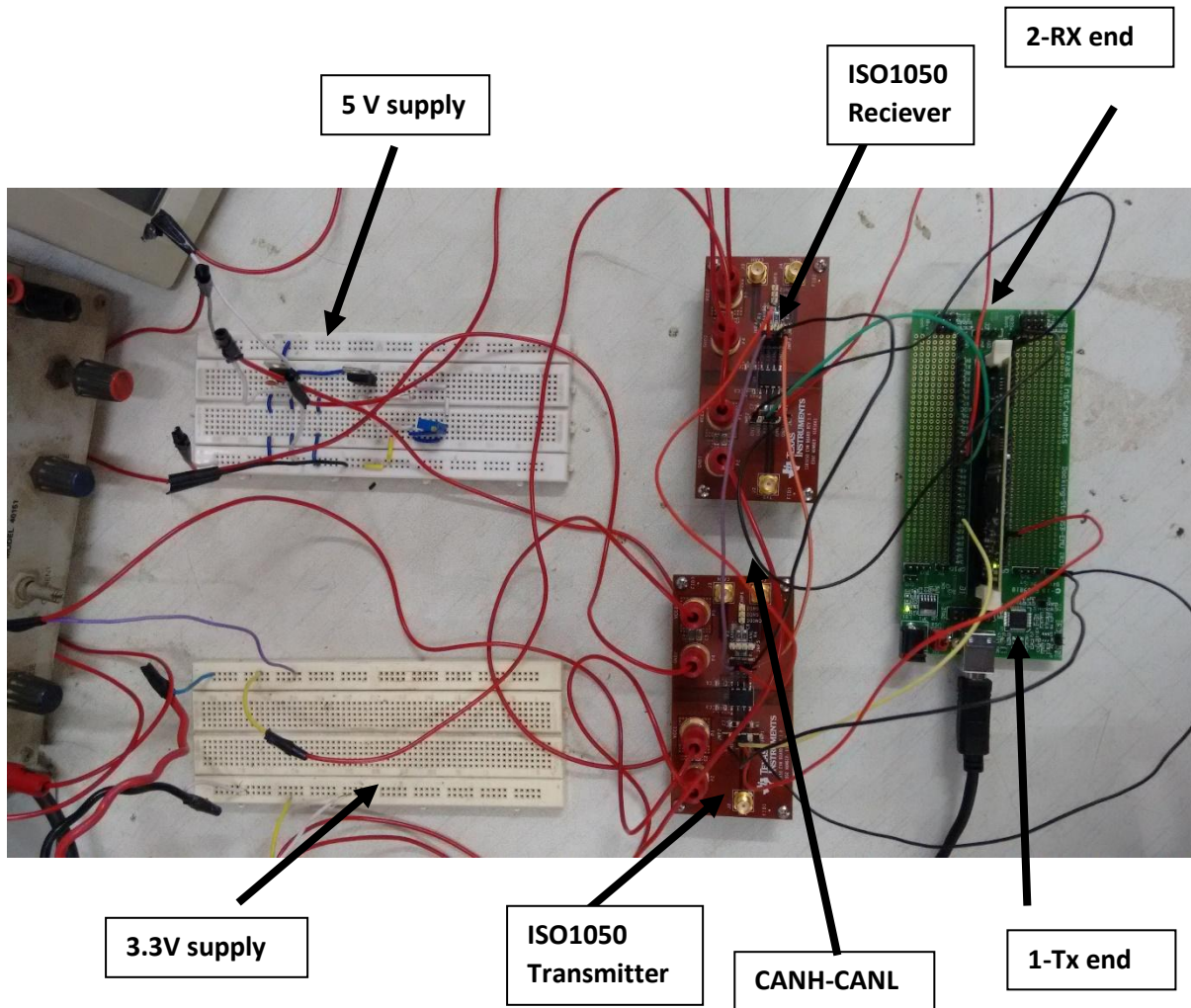
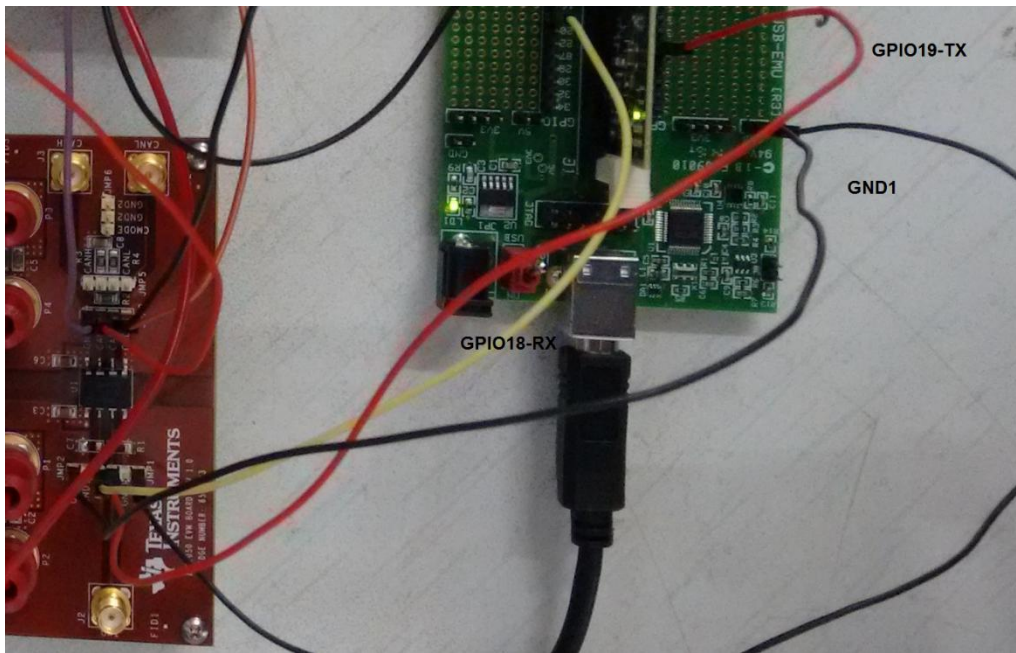


## eCANxmitA to eCANxmitB

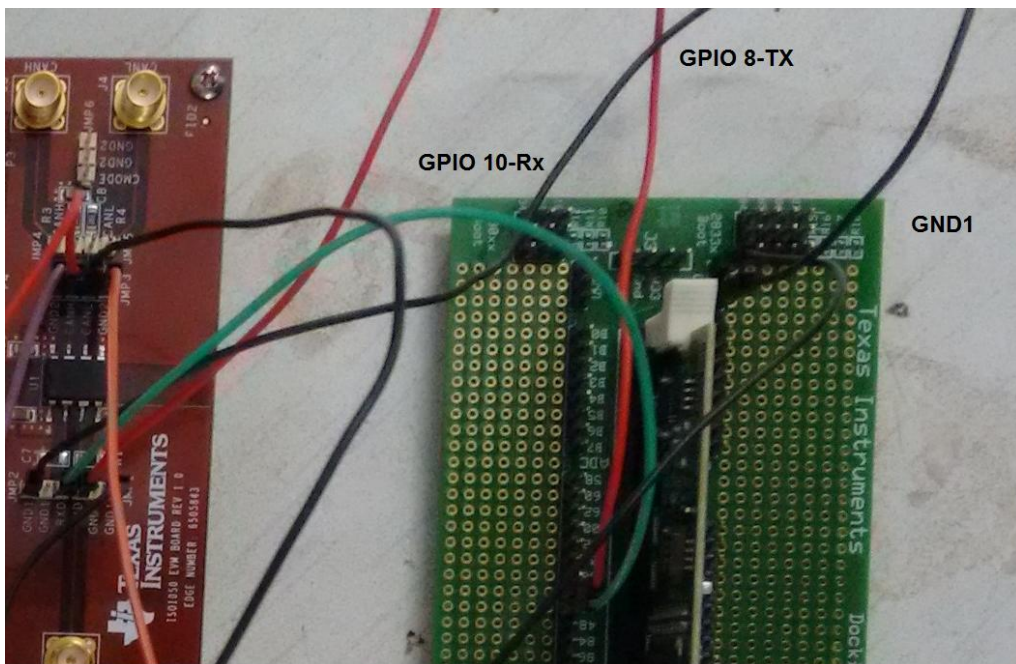
1.  $V_{cc1} = 3.295\text{ V}$
2.  $V_{cc2} = 4.84\text{ V}$



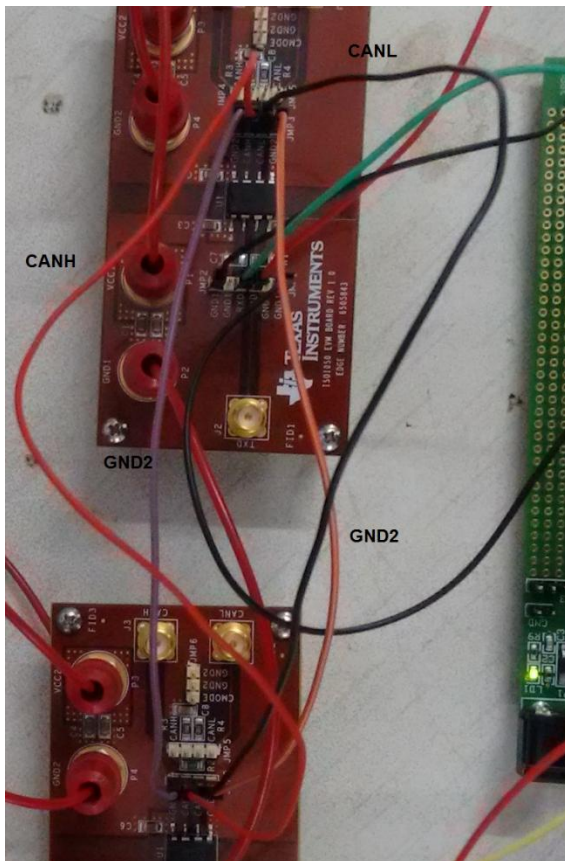
## 1. Tx end



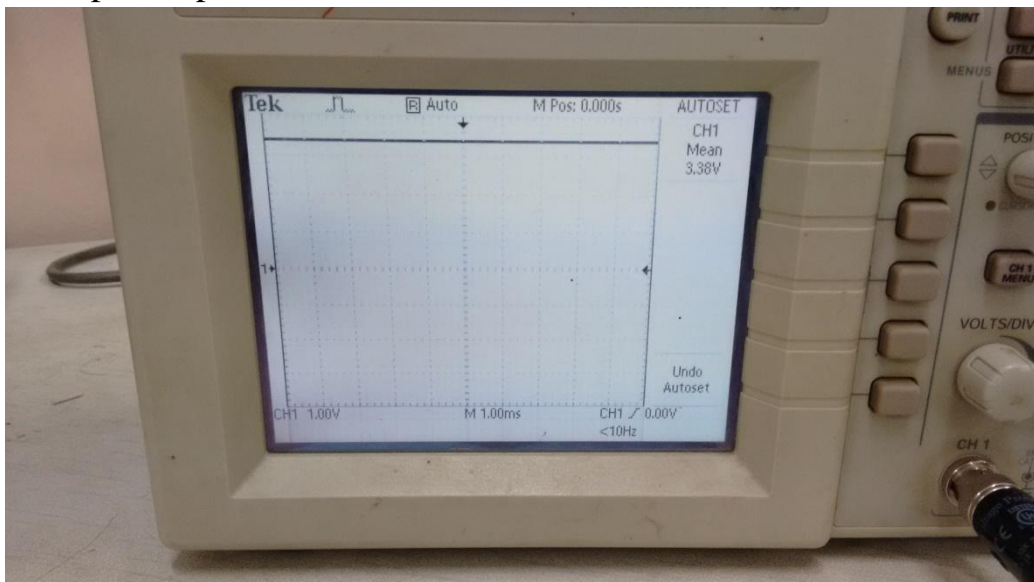
## 2. Rx end



### 3. CANH-CANL

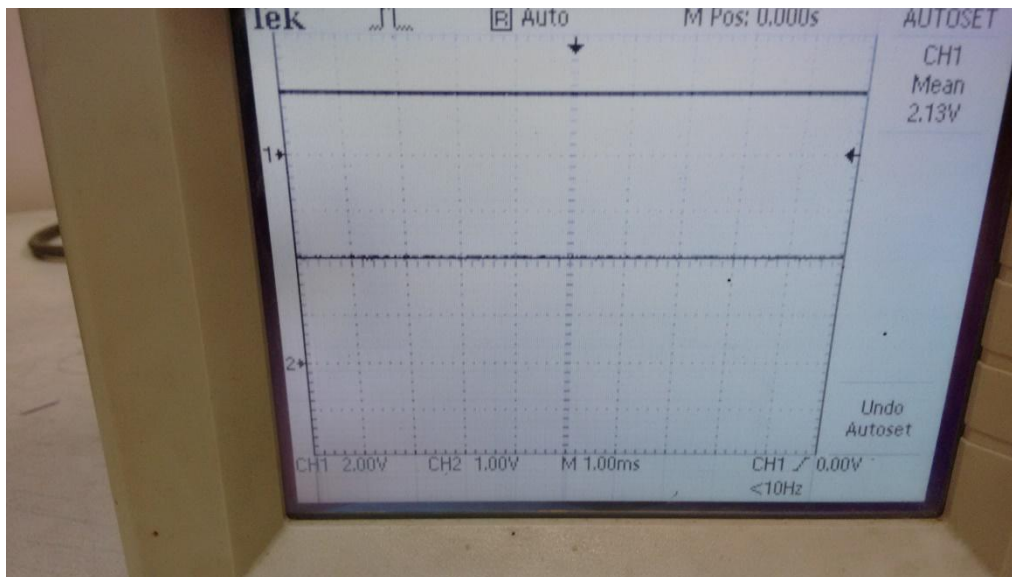


### 4. TXD pin output from DSP





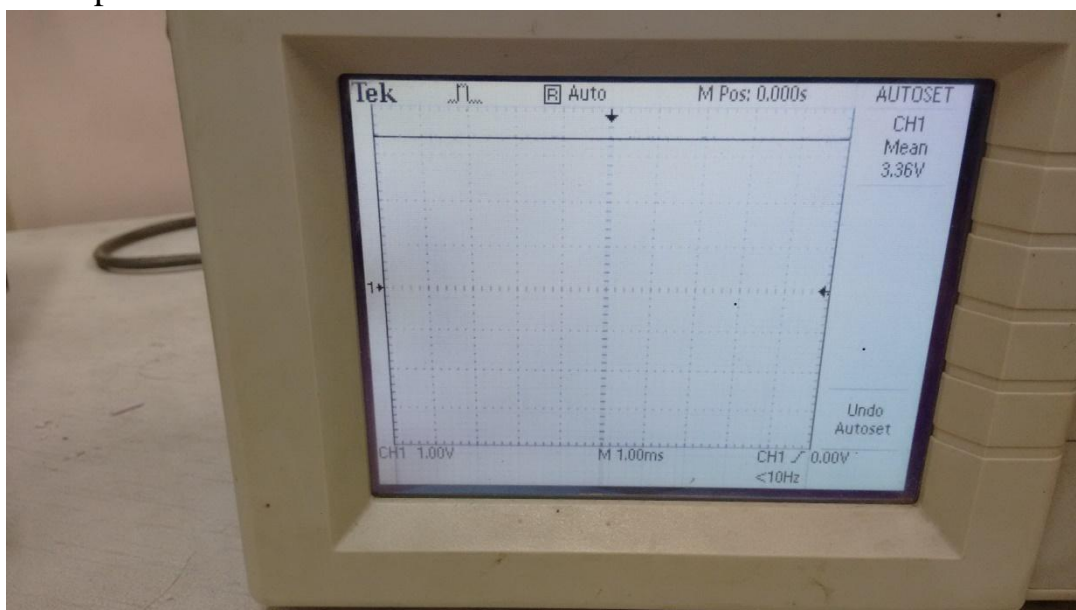
## 5. CANH-CANL



1 = CANH

2 = CANL

## 6. RXD pin at receiver end



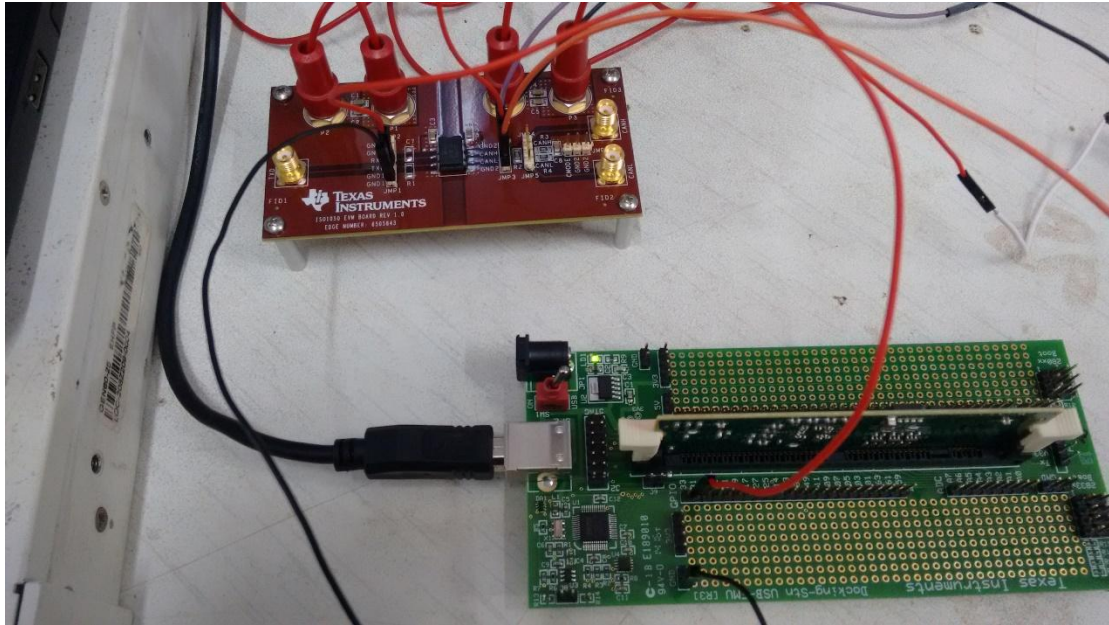
## Testing ISO1050EVM

Pulse generated using CPUtimerinterrupts on GPIO31

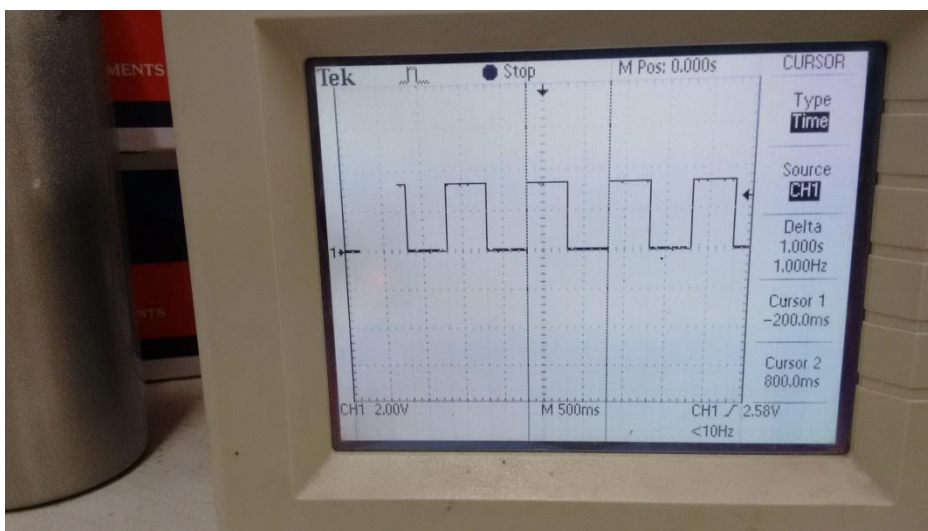
Clock is 150 MHz, period = 1s, Duty cycle = 0.5

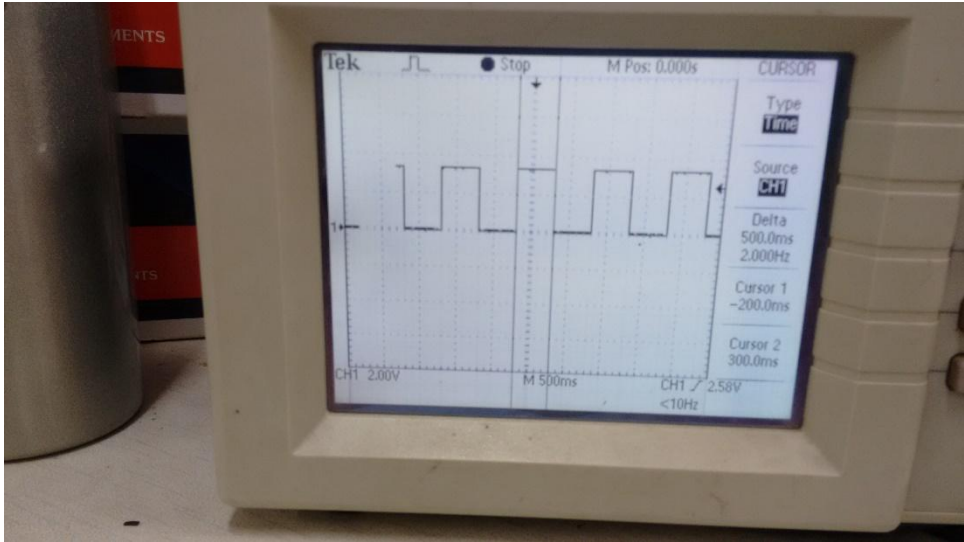
Continuous pulse generated in for(;;) loop

### Connections:



### Input pulse





CANH-CANL output wave

