

**Revision Notes:**

V2 - Release 1 "A"  
1. First Release (R1)

- V2- Release 2 "B"  
1. Updated part C12  
2. Added R5 & C11 to TXRX line  
3. Added PI filter to 12V input (L1,C7,C6)  
4. Added PI filter to 5V PTH output (L2,C8,C9)  
5. Added R6 to TRDRVEn  
6. Added J10 for 2nd AFE rev

V2- Release 3 "C"

1. Added J11/J12 to select USB or ISO for SCIB ISO for SCIB
2. Added J13/J14/J15/J16 to select McBSP-B or SPI-A
3. Removed TX/RX - slave from GPIO-29/28
4. LED Circuit  
Added LEDs Circuit LD3-8  
Added U5  
Added R7,8,10,11,12,17  
Added C10  
Connected GP ?,?,?,?,?,?
5. Removed Bright LED Circuit
6. Changed TB1 Part
7. removed J5, J7, J9, C12
8. updated components C11, C9, C5, and C6

V3- Release 1 "D"

1. Moved TXDRVN to GP12
2. Moved GP33 to PG30, GP31 to GP28
3. Added I2C nets GP33/32, I2C EEPROMS, and discretes
4. Added ZeroCross Circuit and connected to GP05
5. Added T2 Xfmr
6. Changed C13 Value
7. Added L3/L4
8. Added Boot Options GP84/85

V3- Release 2 "D-2"

1. Added R28, R28
2. Added U8, C15, D2
3. Moved R27, D1
4. Changed R26, R27 Value
5. Added J5,J7
6. Changed J2, J6
7. Added R31,R32

V3- Release 3 "D-3"

1. Modified Zero Cross ckt
2. changed T1
3. Added PU to GPIOs 1,3,4
4. Changed J2 to DB9
5. Modified J6 pinout
6. Added J10 and J17

V3- Release 3 "D-4"

1. Added L5
2. No Populate for L3, L4
3. Changed 12V0 to VPLC

V3- Release 3 "D-5"

1. changed connections to M2

V3- Release 6 "F-0"

- Added J18-25
- Added C16
- Added L6
- Changed L3, L4
- Changed U5
- Changed J6, J12
- Changed T1
- Removed R12,11,12,17
- Removed D3,6,7,8
- Removed J4, J11
- Added CAN Bus GP30,31 to J6
- Updated Jumper Information

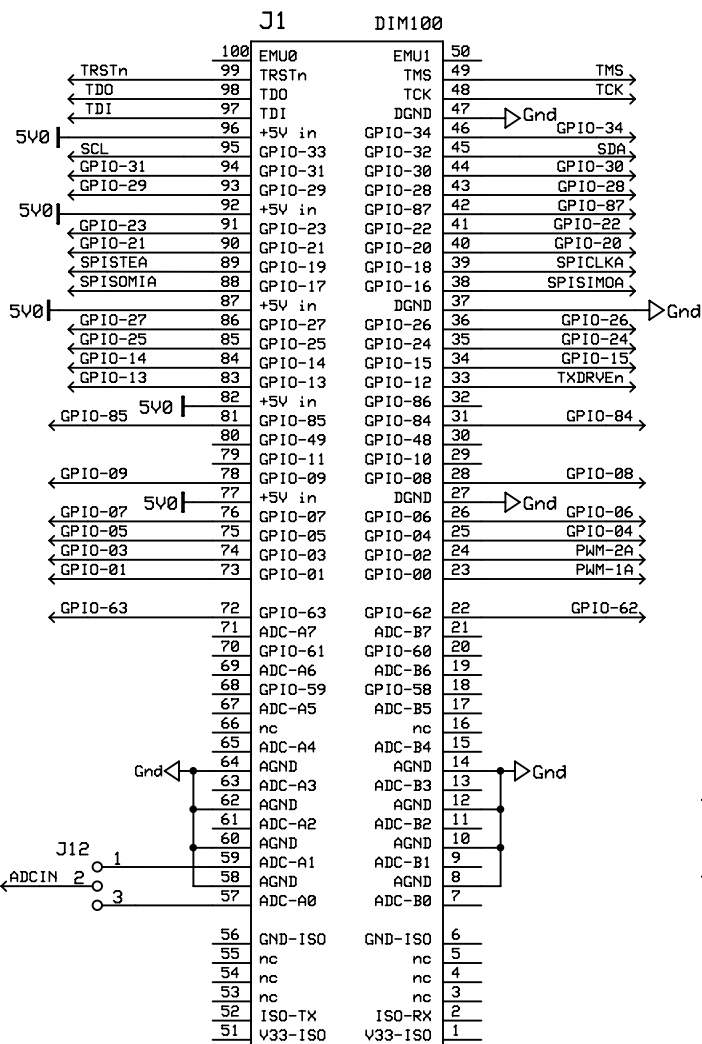
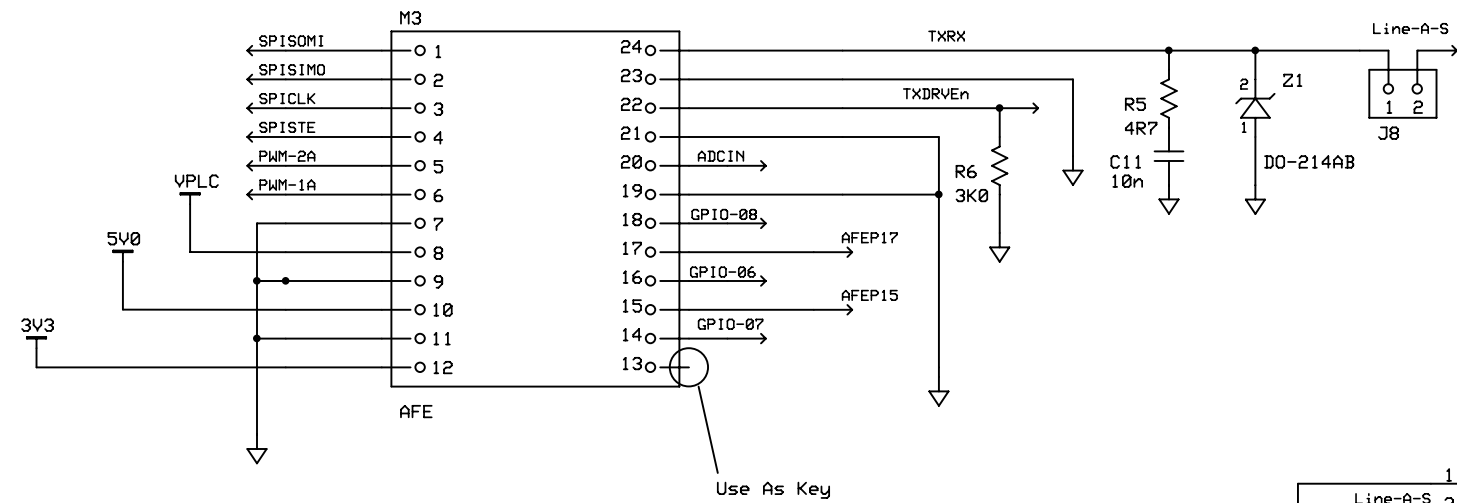
Texas Instruments

PLC-Docking-Station

C2000 - MSW

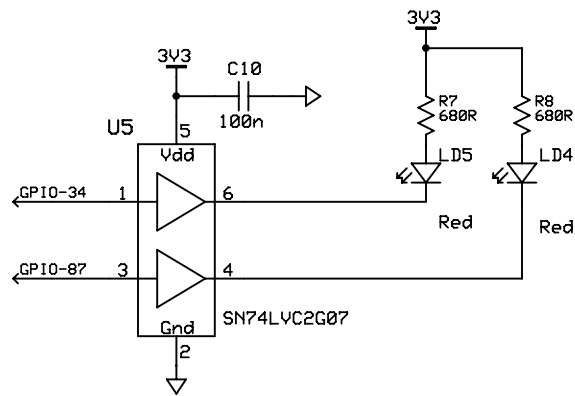
[V3-R6]  
11/19/2010

Page 1-of-3

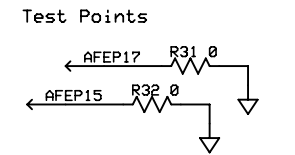
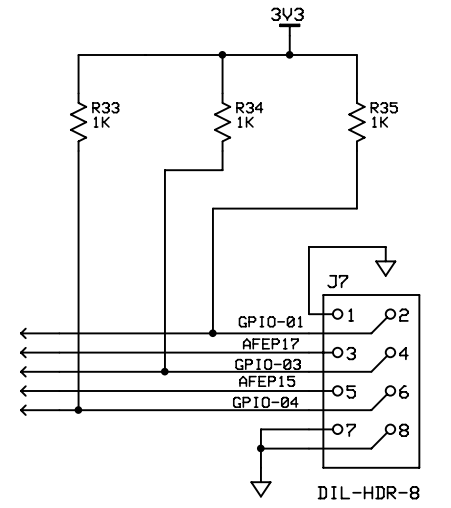
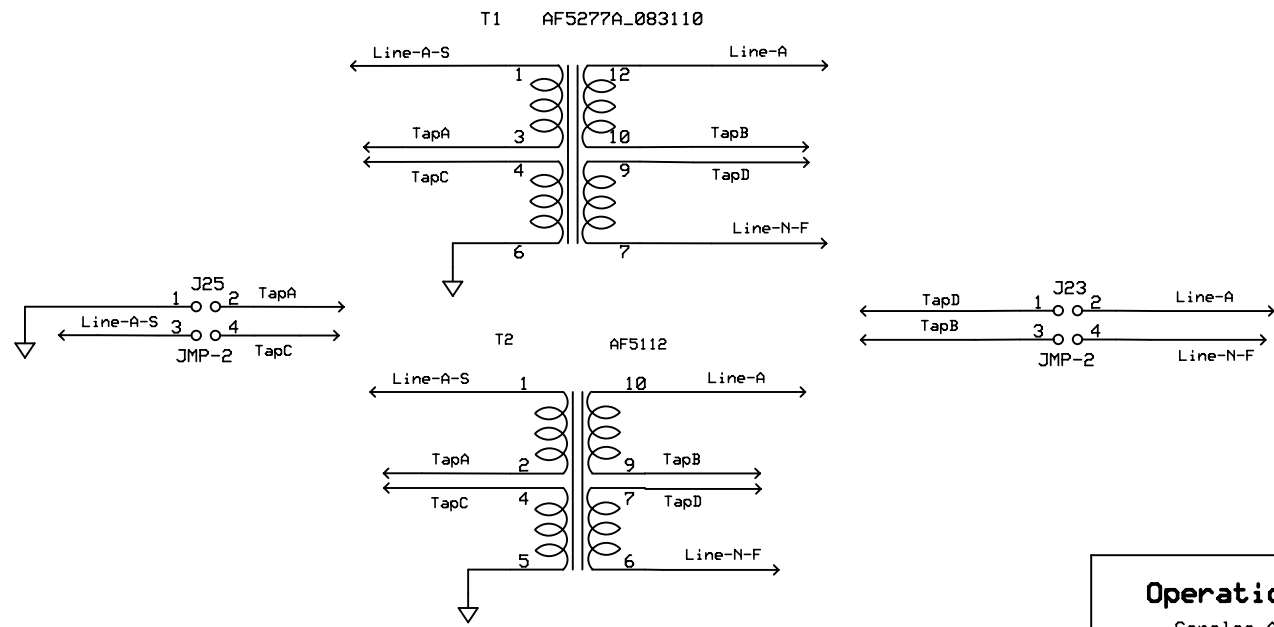


F28xxx - controlCARD

**28335 Boot Options**  
 J3 1-2 : SPI-A Boot  
 J3 2-3 : SCI-A Boot



**Transformer Configurations**  
 T1(1:4) : J23 1-3, J25 2-4  
 T1(1:2) : J23 3-4, J25 2-4  
 T2 (1.5:1): J23 1-3 , J25 2-4



**Operational Band Configurations**

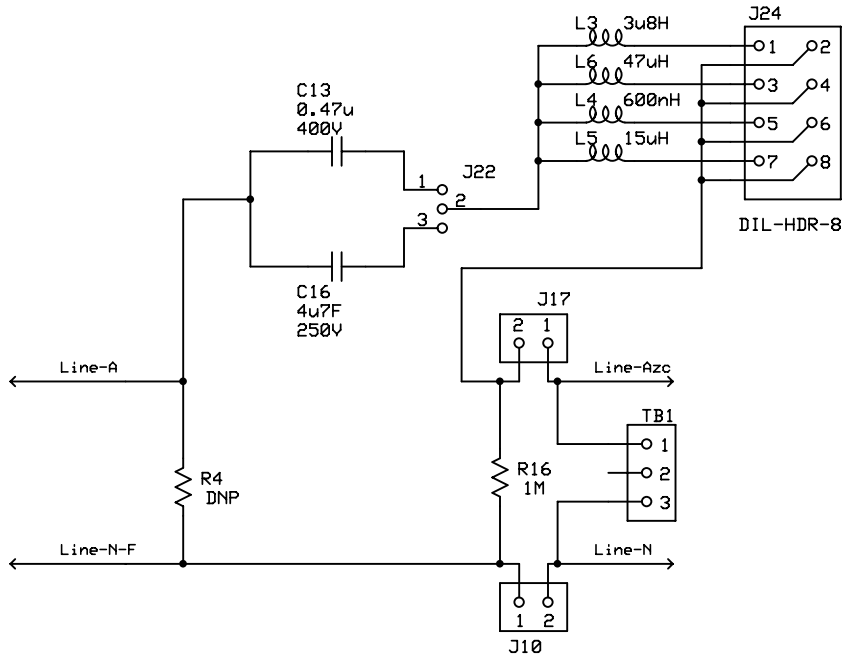
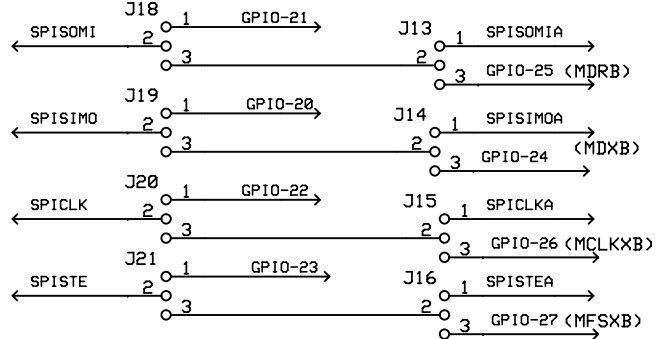
- Cenelec A: J24 7-8, J22 1-2
- Cenelec B/C: J24 1-2, J22 1-2
- FCC Band: J24 5-6, J22 1-2
- Less Than 20Khz: J24 3-4, J22 2-3

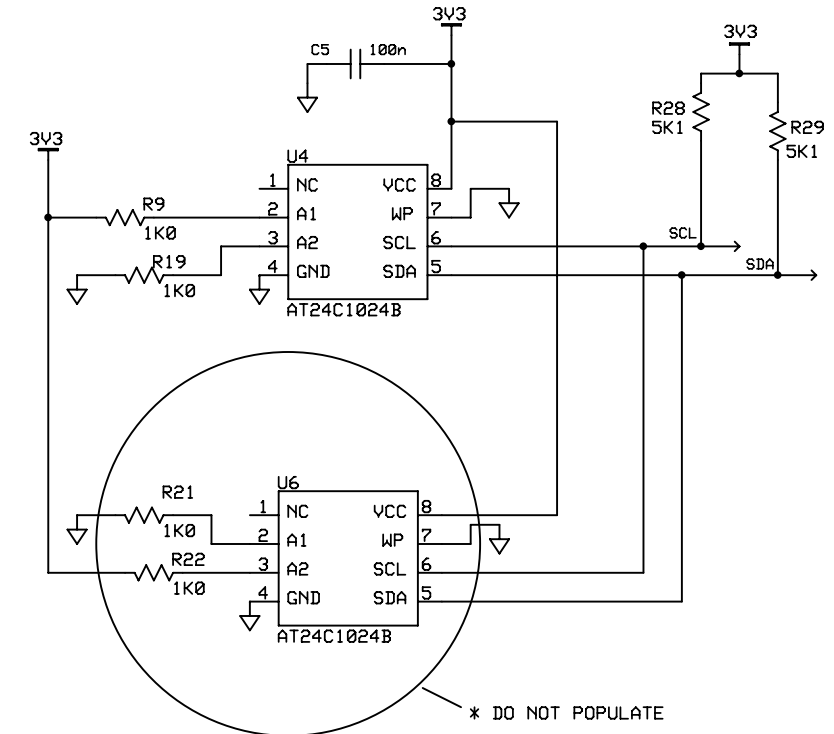
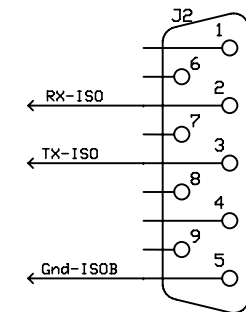
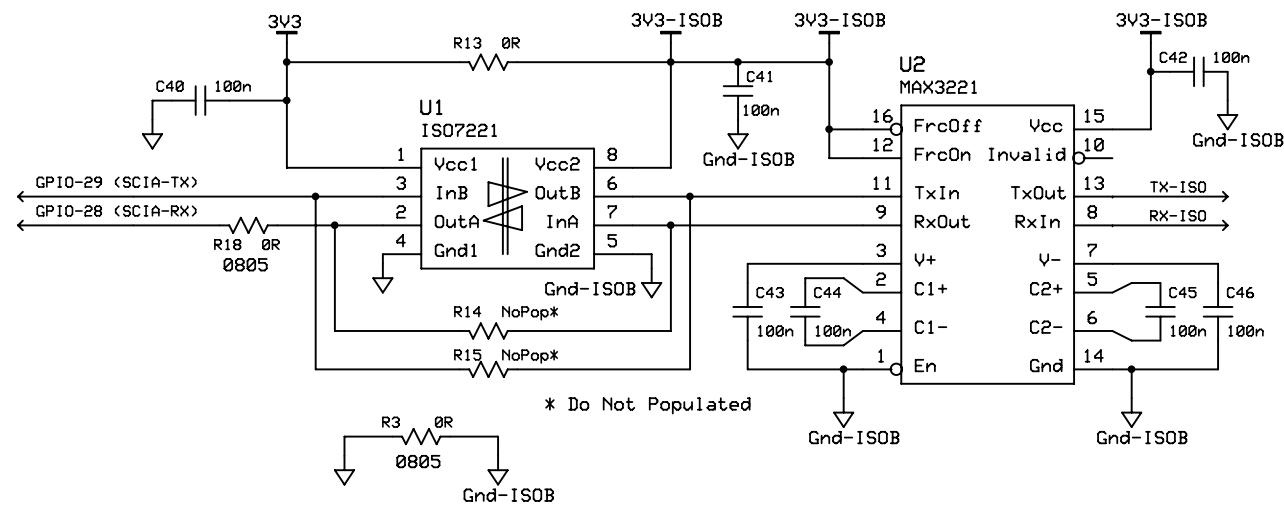
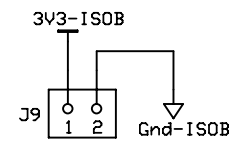
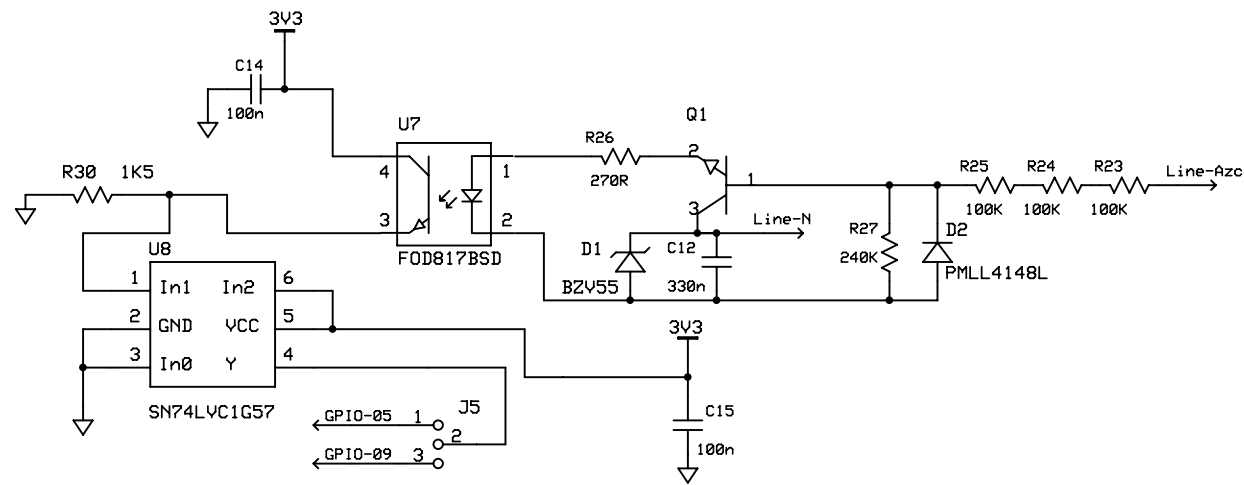
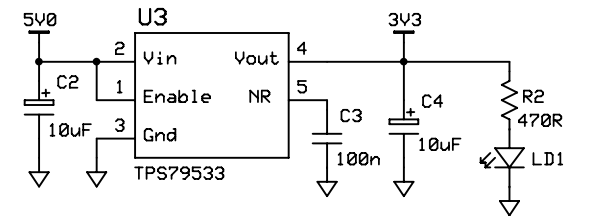
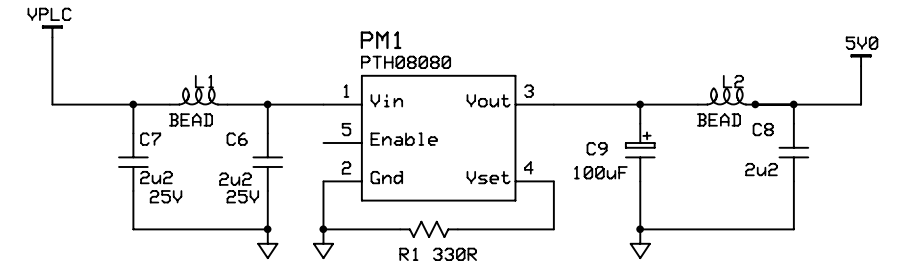
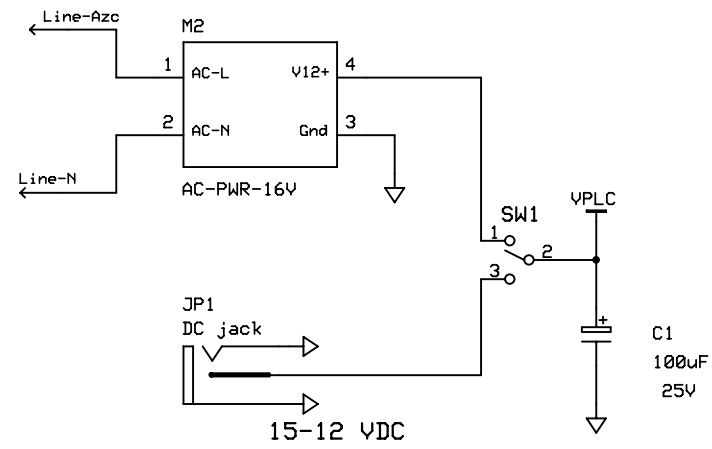
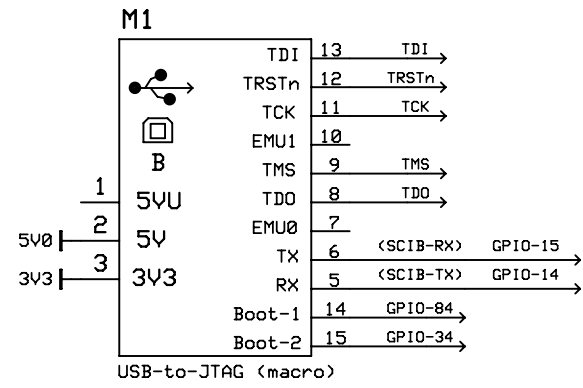
**Device Configurations**

28335: J18 2-3; J13 2-3  
 J19 2-3; J14 2-3  
 J20 2-3; J15 2-3  
 J21 2-3; J16 2-3

2803x: J18 2-3; J13 1-2  
 J19 2-3; J14 1-2  
 J20 2-3; J15 1-2  
 J21 2-3; J16 1-2

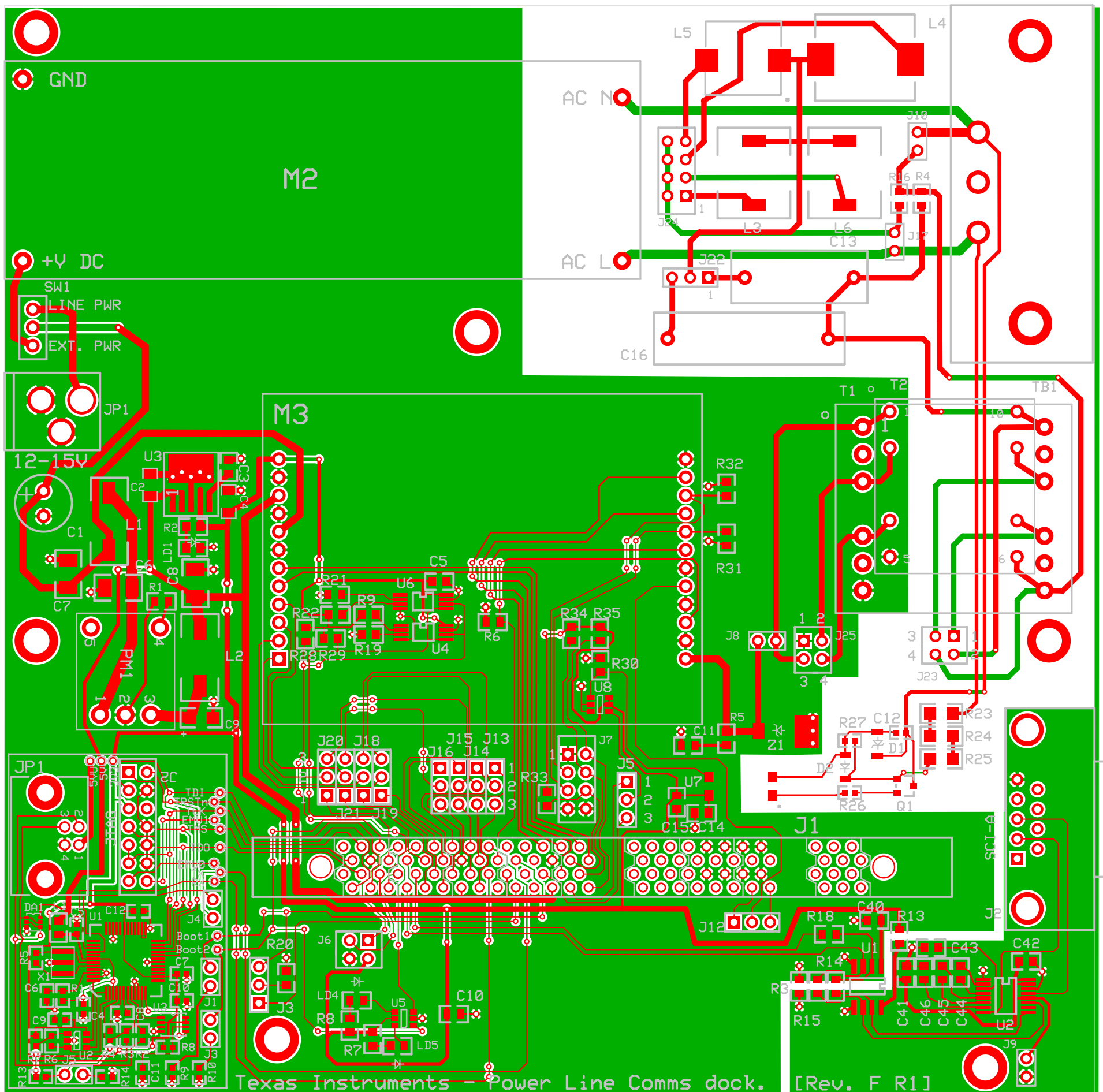
2806x: J18 1-2; J13 Don't Care  
 J19 1-2; J14 Don't Care  
 J20 1-2; J15 Don't Care  
 J21 1-2; J16 Don't Care

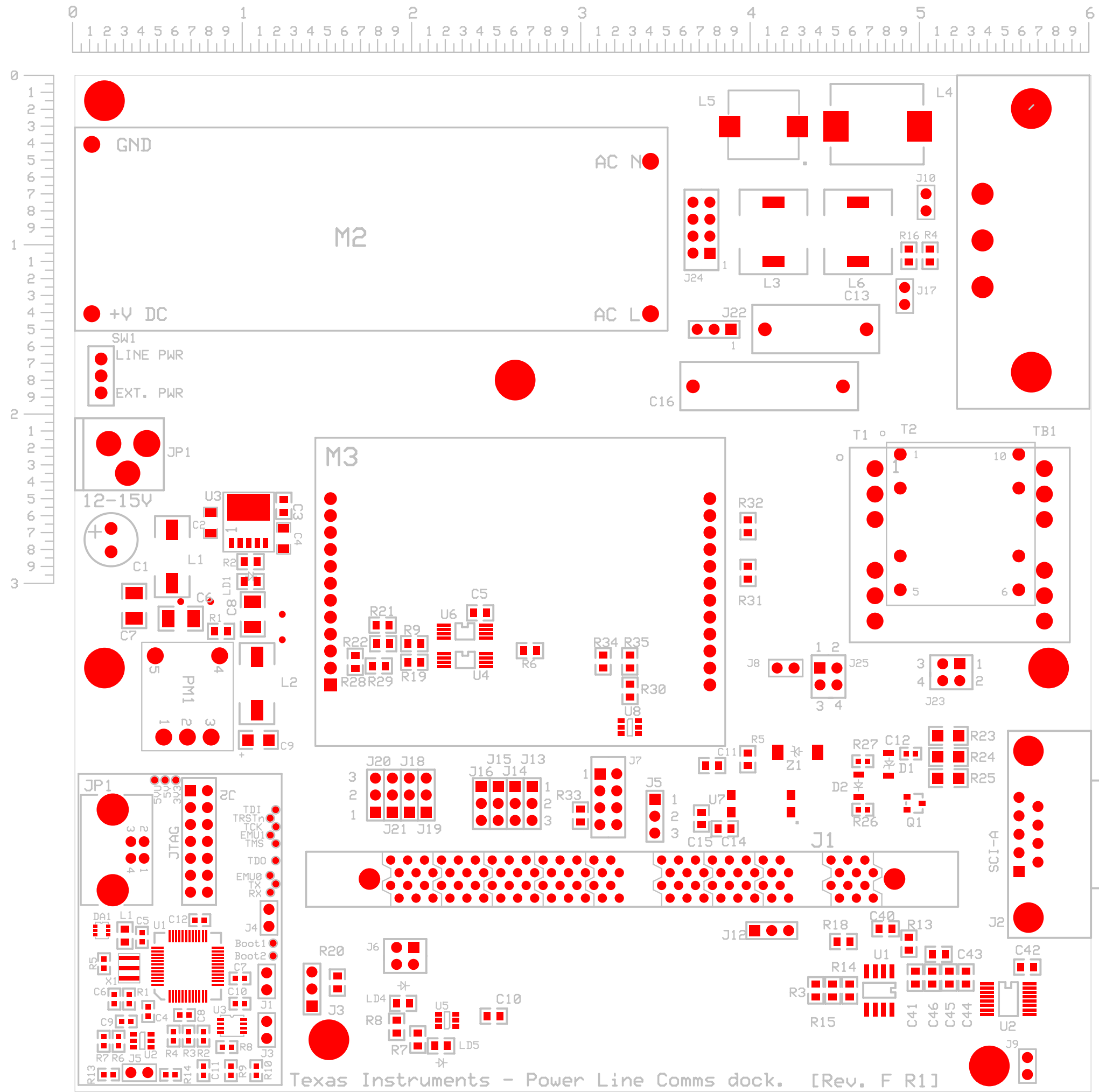




0 1 2 3 4 5 6  
1 2 3 4 5 6 7 8 9 1 2 3 4 5 6 7 8 9 3 1 2 3 4 5 6 7 8 9 4 1 2 3 4 5 6 7 8 9 5 1 2 3 4 5 6 7 8 9 6

0  
1  
2  
3  
4  
5  
6  
7  
8  
9  
1  
2  
3  
4  
5  
6  
7  
8  
9  
2  
1  
2  
3  
4  
5  
6  
7  
8  
9  
3





Texas Instruments - Power Line Comms dock. [Rev. F R1]

