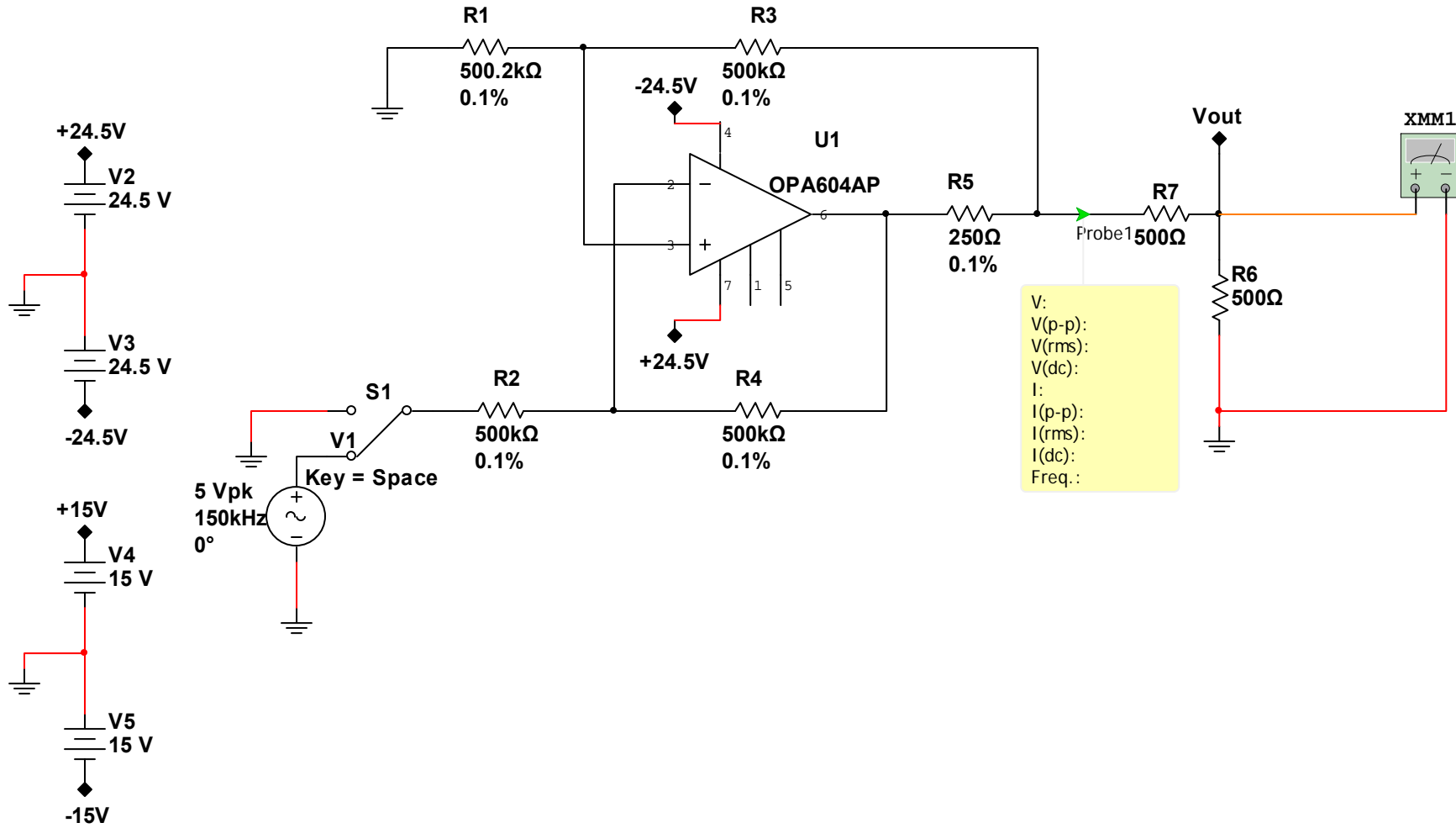
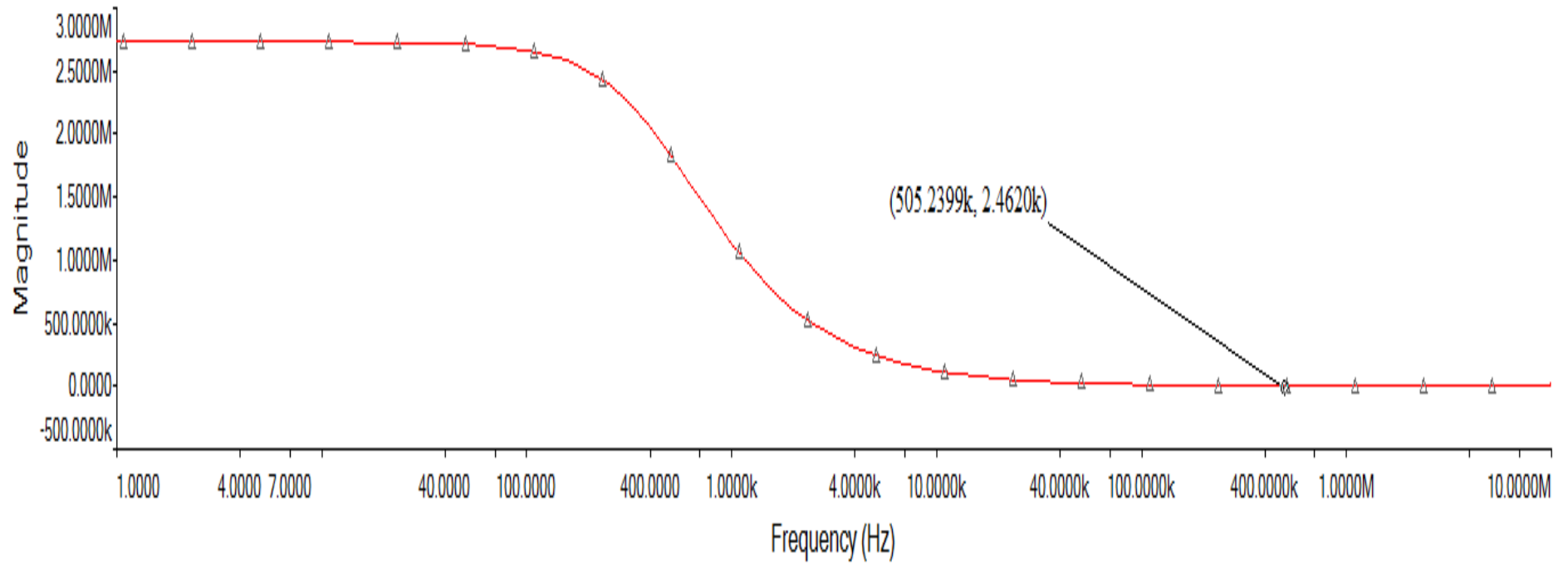


Howland Current Pump



Howland Circuit (Output Impedance)



$\frac{((500+100) \cdot \text{ac12.I}(\text{Probe1})) - ((500+500) \cdot \text{ac13.I}(\text{Probe1}))}{\text{ac12.I}(\text{Probe1}) - \text{ac13.I}(\text{Probe1})}$