

Electrical Specification @ 25°C:

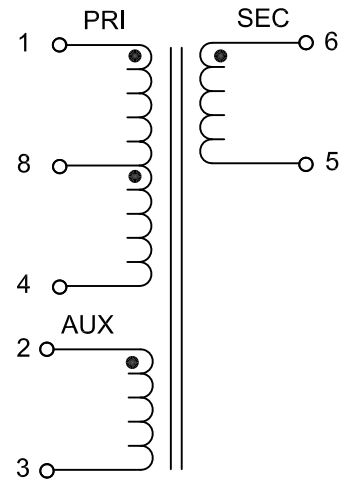
Inductance: (1-4): 5.6 mH ±10% @ 80KHz, 0.1V

RDC: (1-4): 9 Ω Max
 (2-3): 0.4 Ω Max
 * (6-5): 0.55 Ω Max

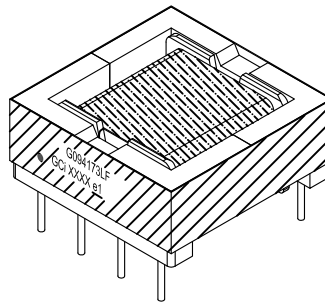
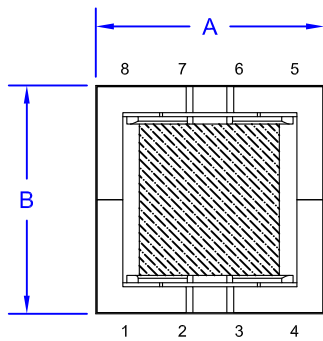
Turns Ratio: @ 80KHz, 0.1V
 (1-4):(2-3)=8:1.0±3%
 (1-4):(6-5)=8:1.0±3%

Hipot: (1-6): 2,500VDC, for 2 sec. @ 1.0mA

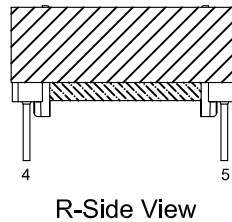
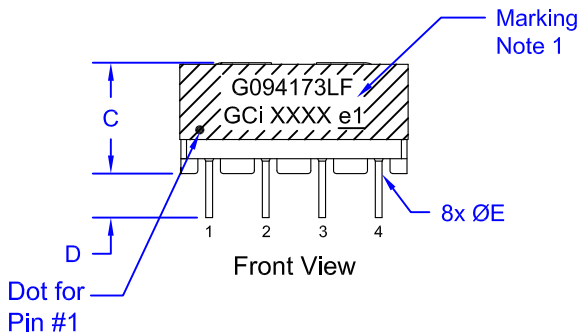
Schematic:



Mechanical Specification:



Dimensions Table	
Ref	mm
A	21.50 Max
B	21.50 Max
C	12.70 Max
D	3.50±0.50
E	Ø0.60±0.10
F	5.00±0.25
G	17.50±0.30

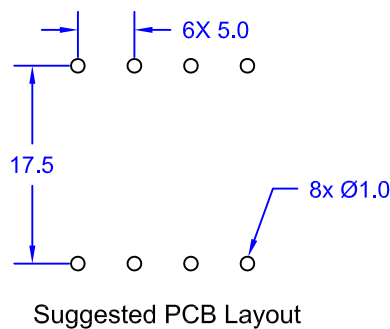
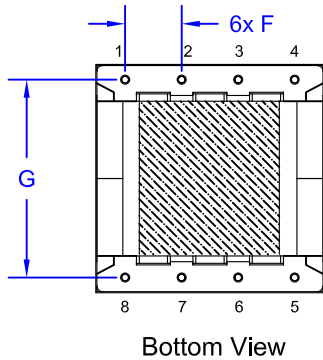


Notes:

1. Marking shall include: GCi Part Number, GCi Name, Date Code, RoHS Symbol

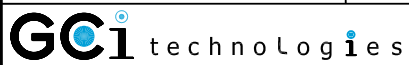
Marking

G094173LF
 GCi XXXX e1



"ALL CURRENT CHANGES INDICATED BY ASTERISKS"

Electrical / Mechanical / Specification			FLYBACK TRANSFORMER			
DESIGN ENG: <i>Ignatius C.</i>	APPD. BY:	RELEASED BY:	REV: 2	DRAFTER BY: <i>Christina T.</i>	DATE: 05/25/12	
S/O NUMBER: 094173	GCI PART NO: G094173LF	CUSTOMER PART NO.:			SHEET 1 OF 1	



Proprietary & Confidentiality Notice
 This document contains GCI Technologies, Inc. proprietary and confidential data and is not to be copied, reproduced, used, or divulged to unauthorized persons, in whole or in part without proper written authorization from GCI Technologies, Inc. GCI Technologies, Inc. reserves all rights herein.