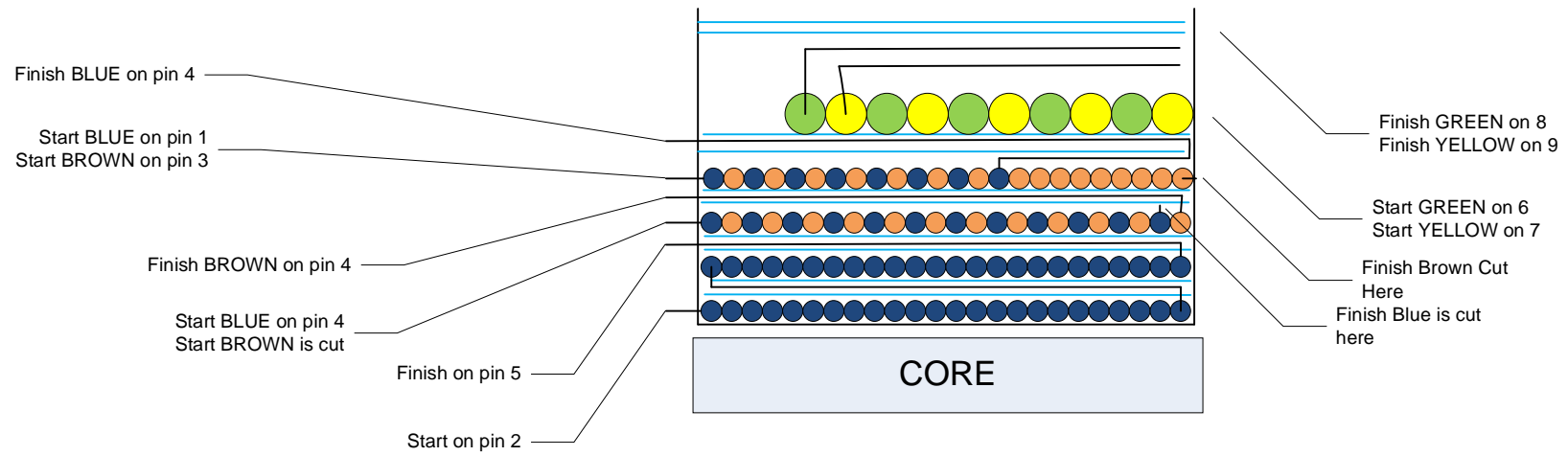
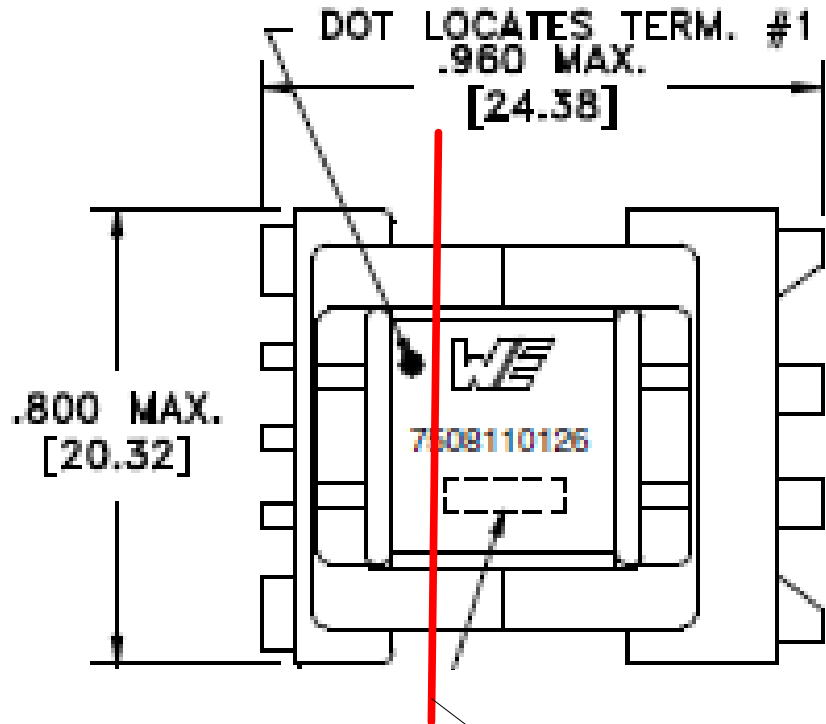
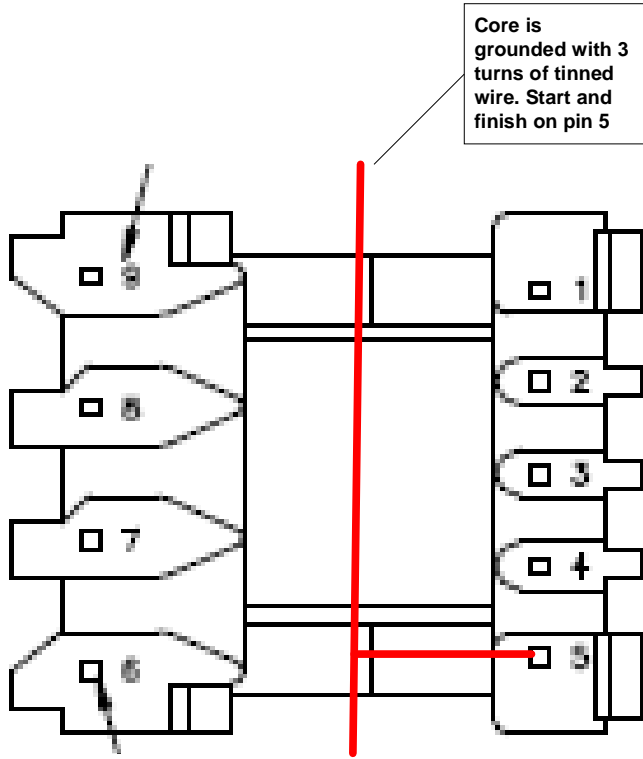


Winding	Start	Finish	Wire	Winding Direction	Turns	NOTES
WDG 1	2		0.18mm OD	CW	50	WDG 1 is full single layer. Finish of WDG1 is lead out towards pin 2 and becomes start of WDG2.
			TAPE	CW	2	
WDG 2		5	0.18mm OD	CW	49	
			10.6mm TAPE	CW	2	
WDG 3	4	x	0.18mm OD	CW	25	WDG 3,4 wound bifilar. Single Layer
WDG 4	x	4	0.18mm OD	CW	25	
			10.6mm TAPE	CW	2	
WDG 5	1	4	0.18mm OD	CW	21	WDG 5,6 wound bifilar. Single Layer
WDG 6	3	NC	0.18mm OD	CW	28	
			10.6mm TAPE	CW	2	
WDG 7	6	8	0.35mm TEX	CCW	6	WDG 7,8 wound bifilar
WDG 8	7	9	0.35mm TEX	CCW	6	





Core is grounded with 3 turns of tinned wire. Start and finish on pin 5

Electrical Specification

Inductance: 1.1mH +/-15% 100kHz 100mVac between pins 2 and 5

Dielectric Rating:4.5kV for 1 sec between pins2 and 9

Mechanical Specification

