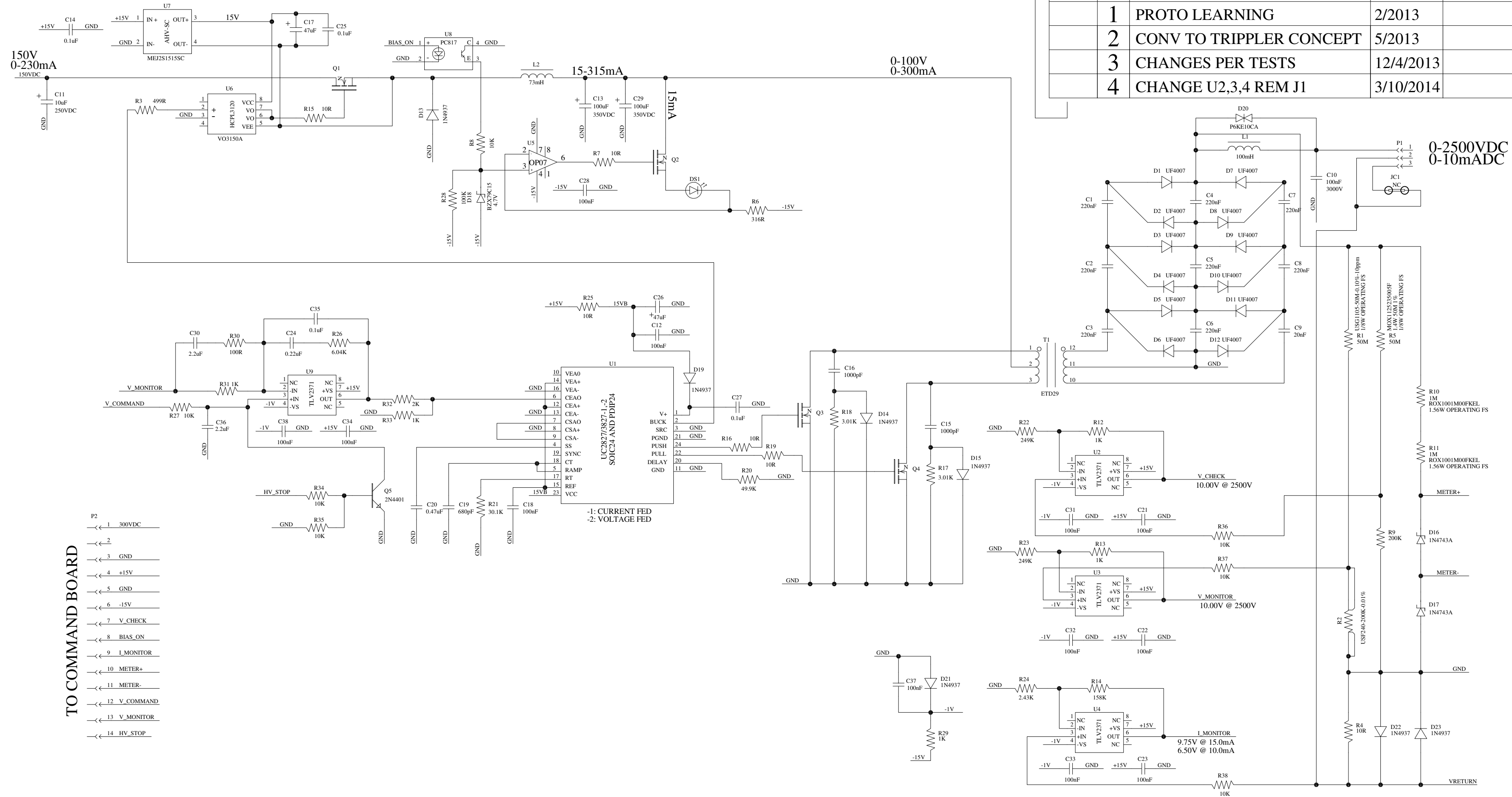


5 ARC PROTECTION

4/29/2014

REVISIONS

ZONE	REV.	DESCRIPTION	DATE	APPROVED
	0	FIRST CREATED	11/2012	
	1	PROTO LEARNING	2/2013	
	2	CONV TO TRIPPLER CONCEPT	5/2013	
	3	CHANGES PER TESTS	12/4/2013	
	4	CHANGE U2,3,4 REM J1	3/10/2014	



TO COMMAND BOARD

- 1 300VDC
- 2
- 3 GND
- 4 +15V
- 5 GND
- 6 -15V
- 7 V\_CHECK
- 8 BIAS\_ON
- 9 I\_MONITOR
- 10 METER+
- 11 METER-
- 12 V\_COMMAND
- 13 V\_MONITOR
- 14 HV\_STOP

DESIGN NOTES:  
 MODULATOR TO OUTPUT: DEL 2.5VIN GENERATES DEL 2049 OUT, OR 58dB  
 OUTPUT DIVIDER: 2500VOUT GENERATES 10V MON, OR -48dB  
 ERROR AMP TO MODULATOR DROPS BY 1/3, GENERATES -9.54dB

PCB FILE NAME:	COPYRIGHT	TITLE:	
CHECKED BY:	THIS DRAWING DOCUMENT CONTAINS INFORMATION WHICH IS PROPRIETARY TO AND IS THE PROPERTY OF THE PIONEER MICROSYSTEMS INC AND MAY NOT BE USED, REPRODUCED OR DISCLOSED IN ANY MANNER WITHOUT THE EXPRESSED WRITTEN CONSENT FROM PIONEER MICROSYSTEMS INC	HV SUPPLY BOTTOM BOARD	
DATE:		SIZE	DRAWN: CLE/PM
APPROVED:		ENGR: CLE/PM	DRAWING NUMBER
DATE:			PIONEER128
TOLERANCES:		SCALE: NONE	REV. 5
X.X	~ 0.050"	DATE: 13-MAY-14	SHEET 1 OF 1
X.XX	~ 0.010"		
X.XXX	~ 0.005"		
ANGLES	~ 0.500S		
UNLESS OTHERWISE NOTED			

SHEET PART NO.