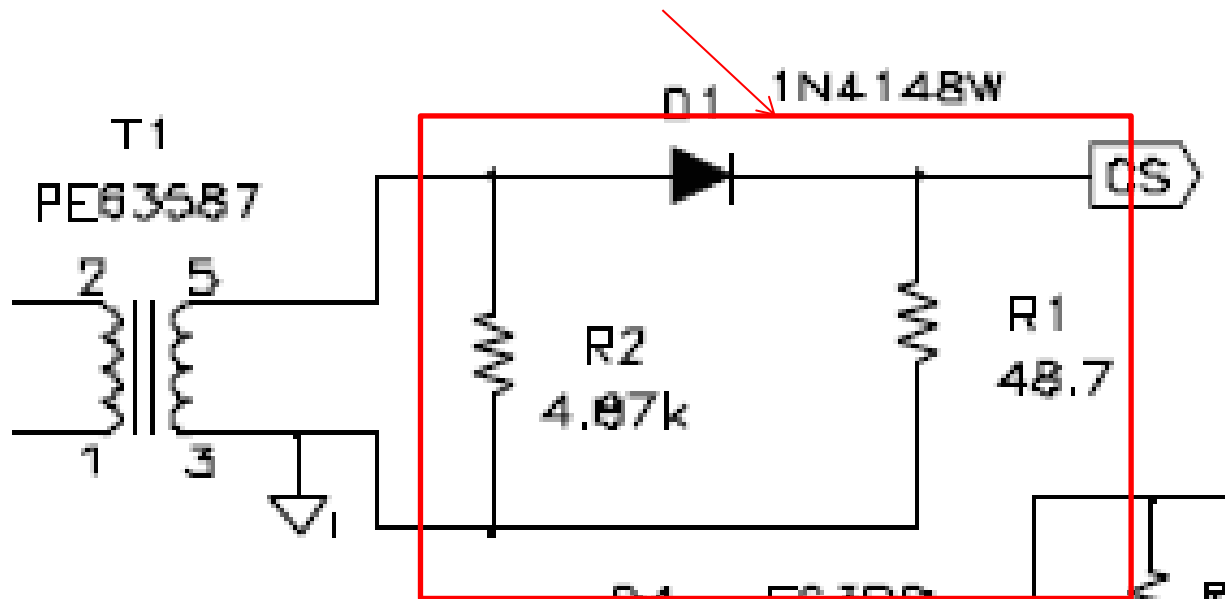


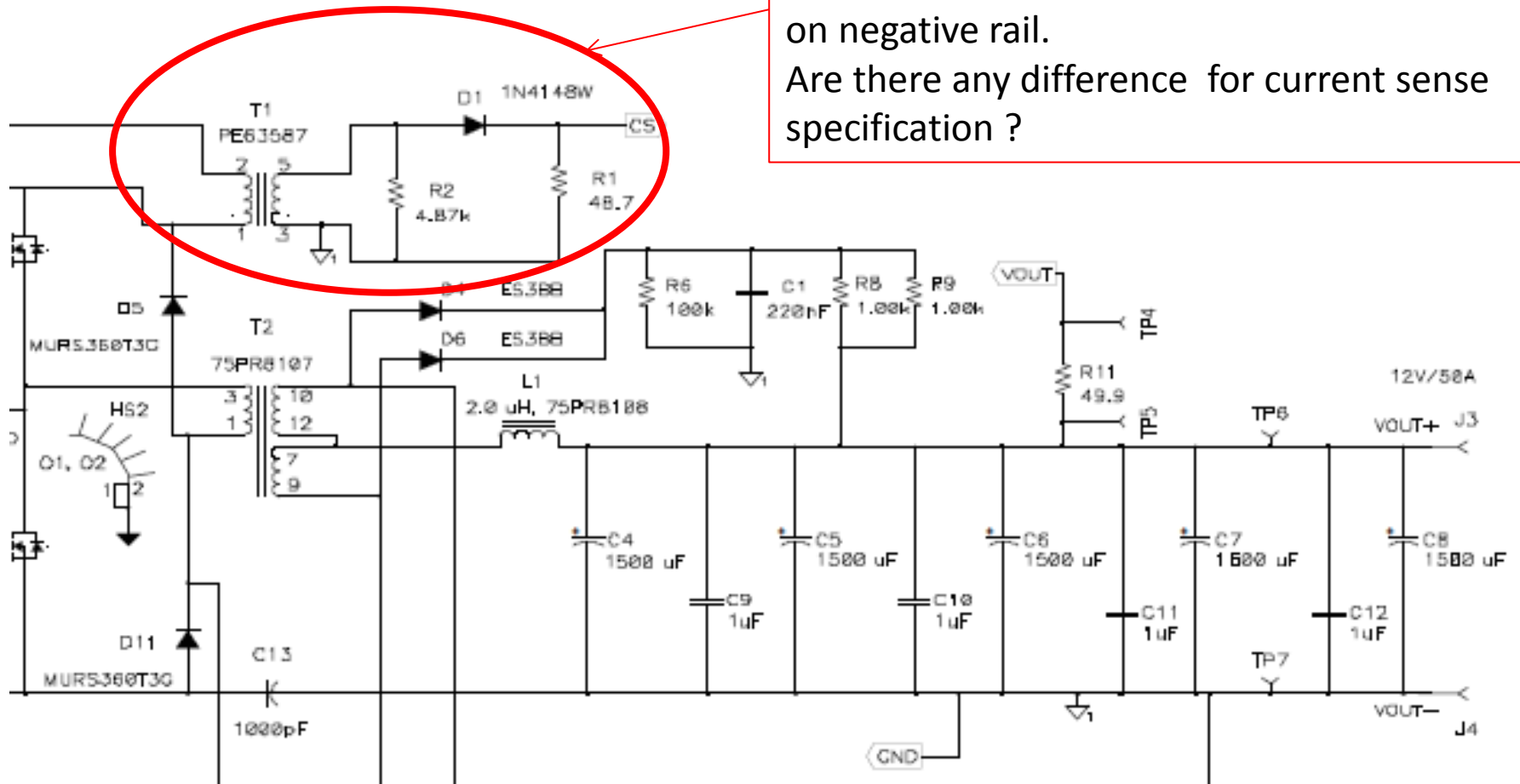
Question 1

Could you please let me know the calculation of R1 and R2 ?

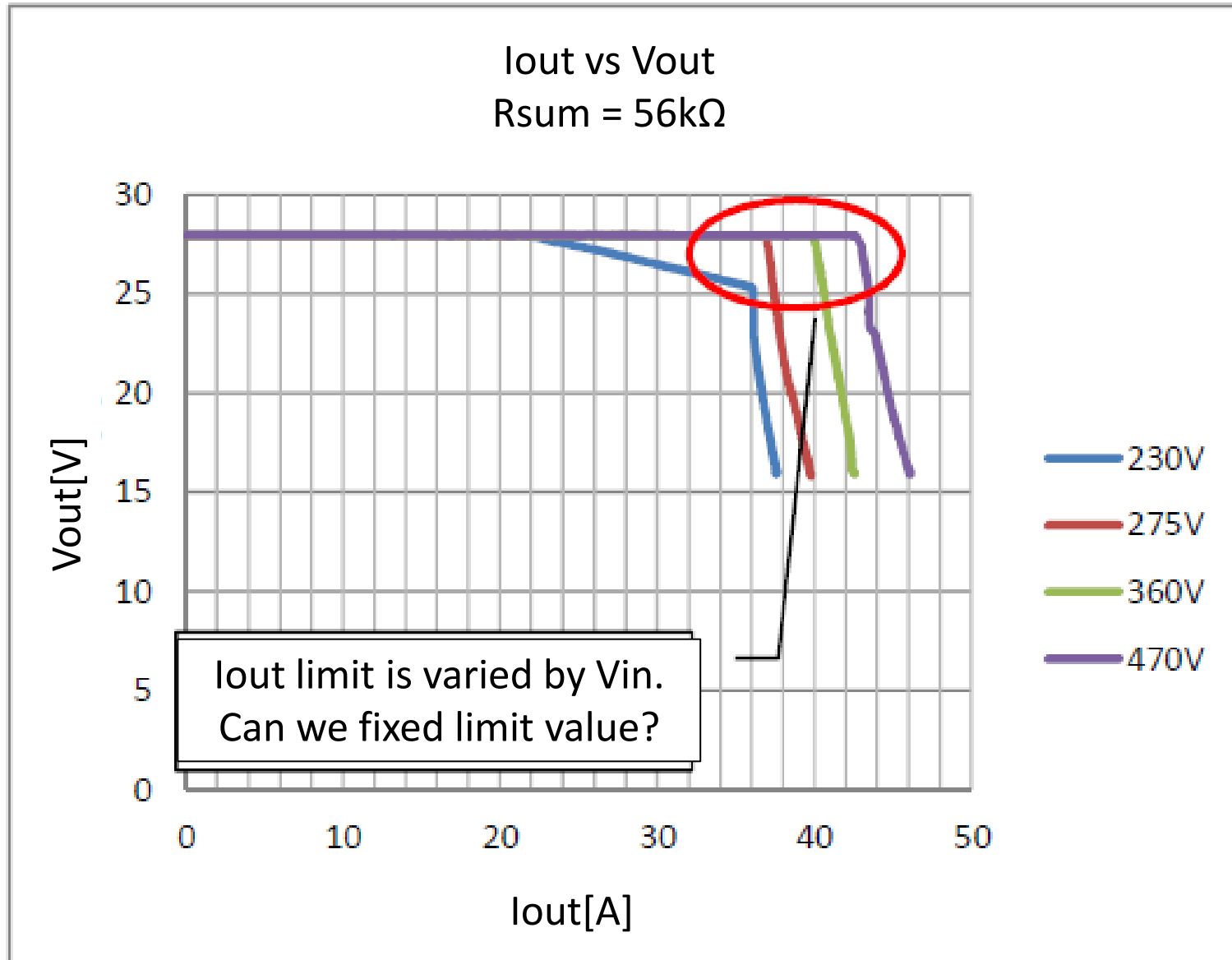


Question 2

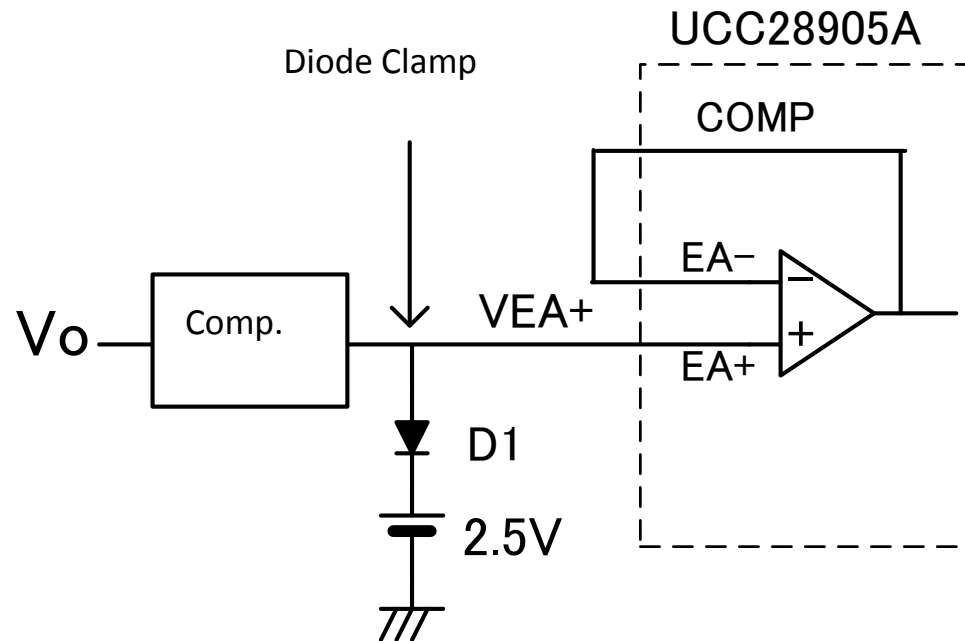
In the EVM Current sense is positive rail.
However, our customer use current trans on negative rail.
Are there any difference for current sense specification ?



Question 3



Question 3



Clamp Circuit