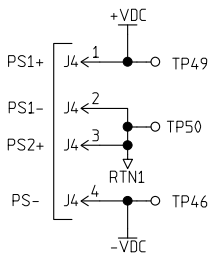
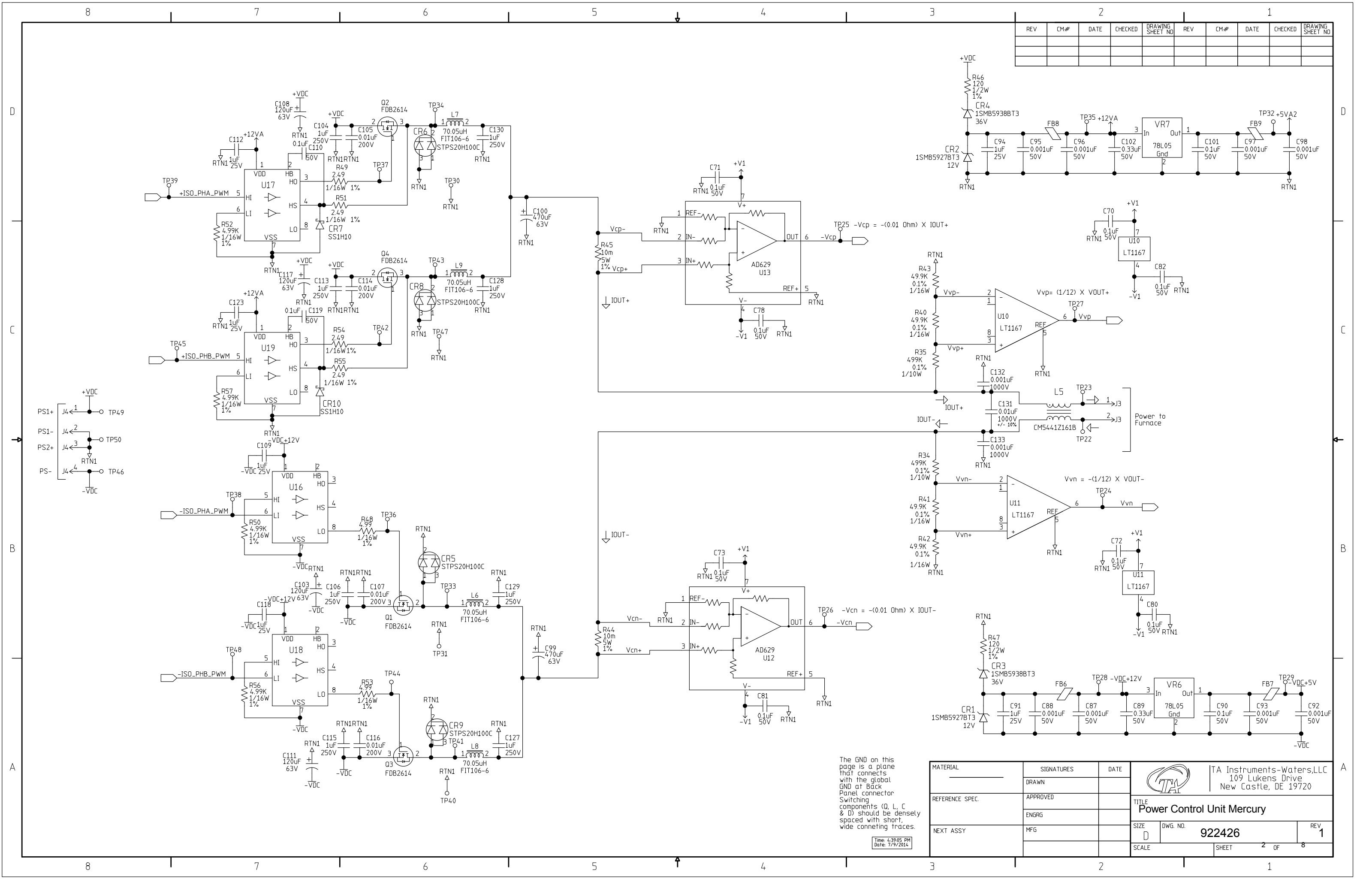


REV	CM#	DATE	CHECKED	DRAWING SHEET NO	REV	CM#	DATE	CHECKED	DRAWING SHEET NO



The GND on this page is a plane that connects with the global GND at Back Panel connector Switching components (Q, L, C & D) should be densely spaced with short, wide connecting traces.

Time: 4:39:05 PM
Date: 7/9/2014

MATERIAL	SIGNATURES	DATE	 TA Instruments-Waters, LLC 109 Lukens Drive New Castle, DE 19720
REFERENCE SPEC.	DRAWN		
NEXT ASSY	APPROVED		
	ENGRG		TITLE Power Control Unit Mercury
	MFG		SIZE D
			DWG NO. 922426
			REV 1
			SCALE
			SHEET 2 OF 8