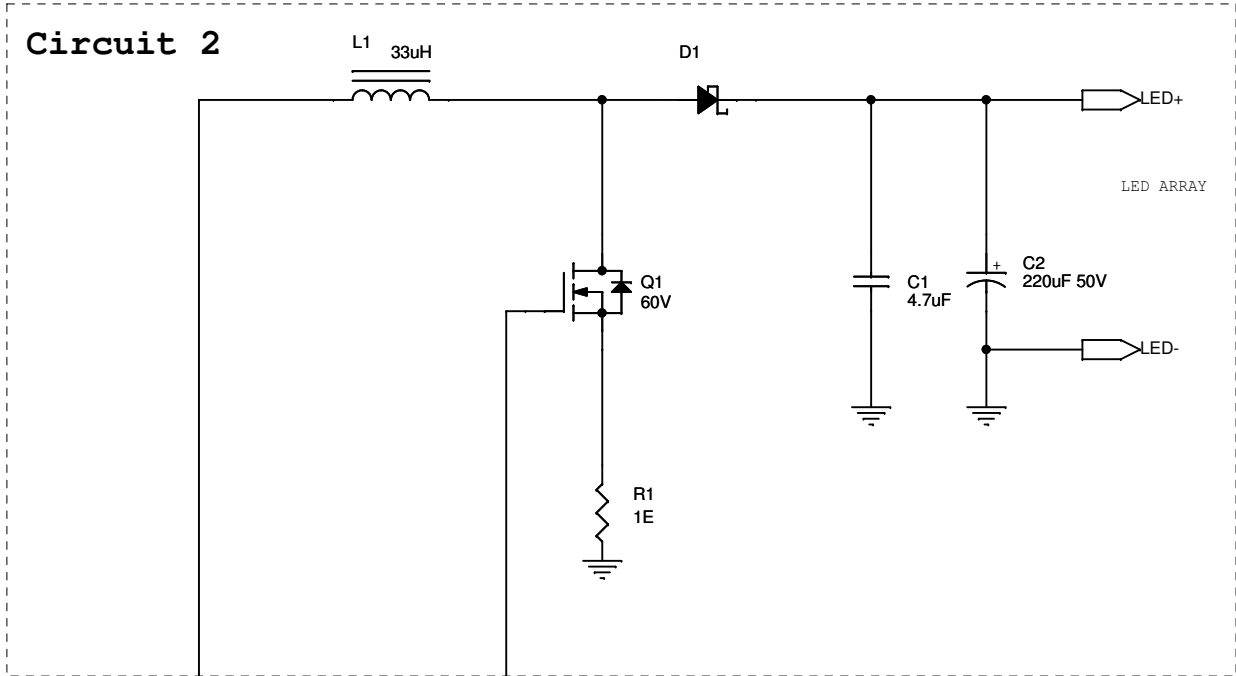


Circuit 2



Circuit 1

