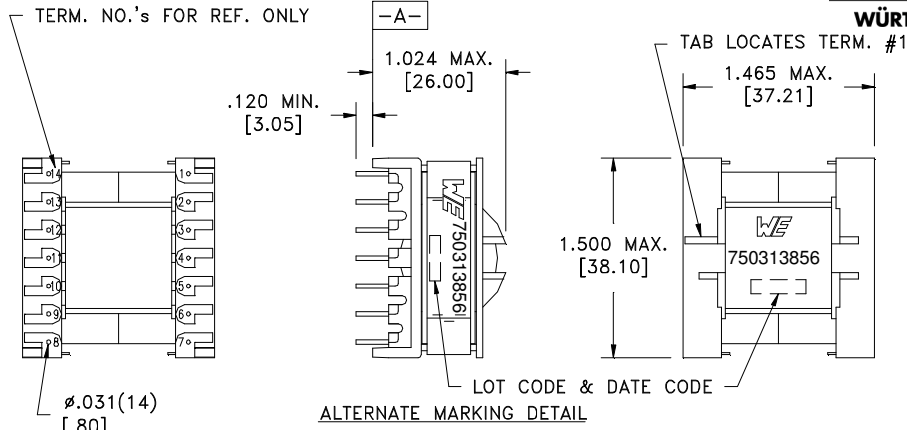
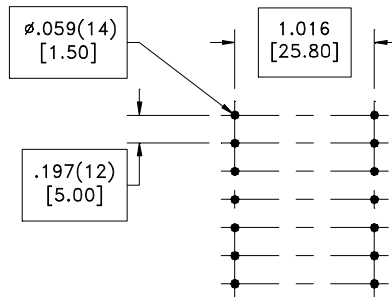
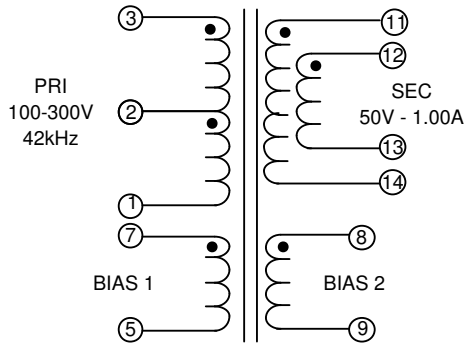


CUSTOMER TERMINAL	RoHS	LEAD(Pb)-FREE
Sn96%, Ag4%	Yes	Yes



ALTERNATE MARKING DETAIL

PART MUST INSERT FULLY TO SURFACE A IN RECOMMENDED GRID



ELECTRICAL SPECIFICATIONS @ 25°C unless otherwise noted:

- D.C. RESISTANCE (@20°C):
 3-1 , 0.437 Ohms ±10%.
 7-5 , 0.180 Ohms ±10%.
 8-9 , 0.090 Ohms ±10%.
 11-14 , 0.177 Ohms ±10%.
 12-13 , 0.177 Ohms ±10%.
- DIELECTRIC RATING: 3000VAC for 1 second between pins 1-14(tie 3+5,9+11+12).
- INDUCTANCE: 360.0µH ±10%, 10kHz, 100mVAC, 0mADC, 3-1, Ls.
- SATURATION CURRENT: 5.1A saturating current that causes 20% rolloff from initial inductance.
- LEAKAGE INDUCTANCE: 7.0µH max., 100kHz, 100mVAC, 3-1(5+7,8+9,11+12+13+14), Ls.
- URNS RATIO:
 (3-1):(7-5) , (9.285):(1.00) , ±1%.
 (3-1):(8-9) , (6.5):(1.00) , ±1%.
 (3-1):(11-14) , (2.5):(1.00) , tie(11+12,13+14) , ±1%.

Designed to comply with the following requirements as defined by IEC60950-1, EN60950-1, UL60950-1/CSA60950-1 and AS/NZS60950.1:
 - Reinforced insulation for a primary circuit at a working voltage of 300VDC.

OPERATING TEMPERATURE RANGE: -40°C to 125°C including temp. rise.

Wire insulation & RoHS status not affected by wire color. Wire insulation color may vary depending on availability. T_0_5442_C_0170

Würth Electronics Midcom Inc. Watertown, SD USA Toll Free: 800-643-2661 Fax: 605-886-4486	Unless otherwise specified, tolerances are as follows: Angles: ±1° Fractions: ±1/64 Decimals: ±.005(.127mm) Footprint: ±.001(.03mm)			
	Drawing Title <h1>Transformer</h1>			
This drawing is dual dimensioned. Dimensions in brackets are in millimeters		Revisions: See Sheet 1		Scale ---- Spec Sheet 1 of 1

Engineer:RRH

03/13/2013