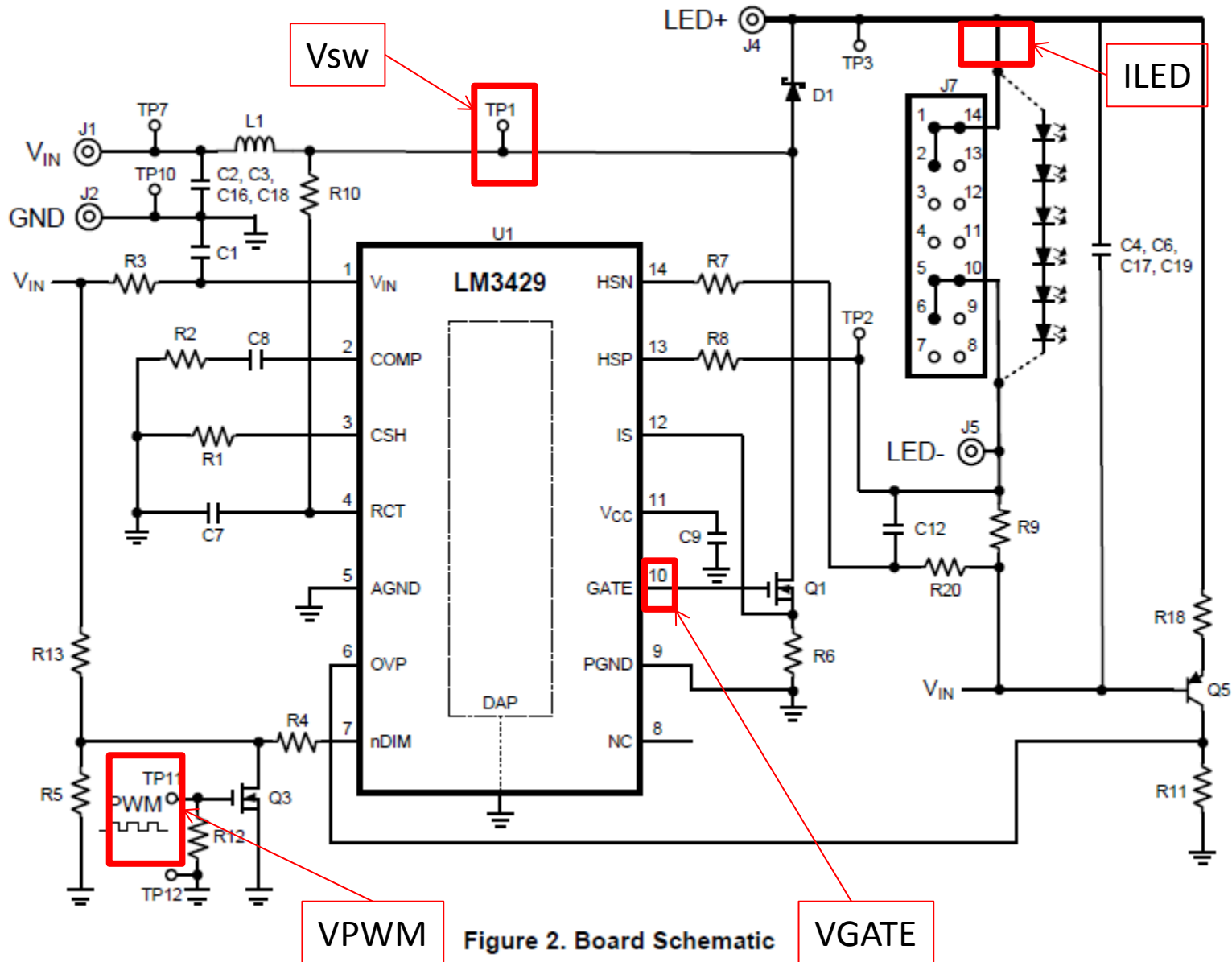


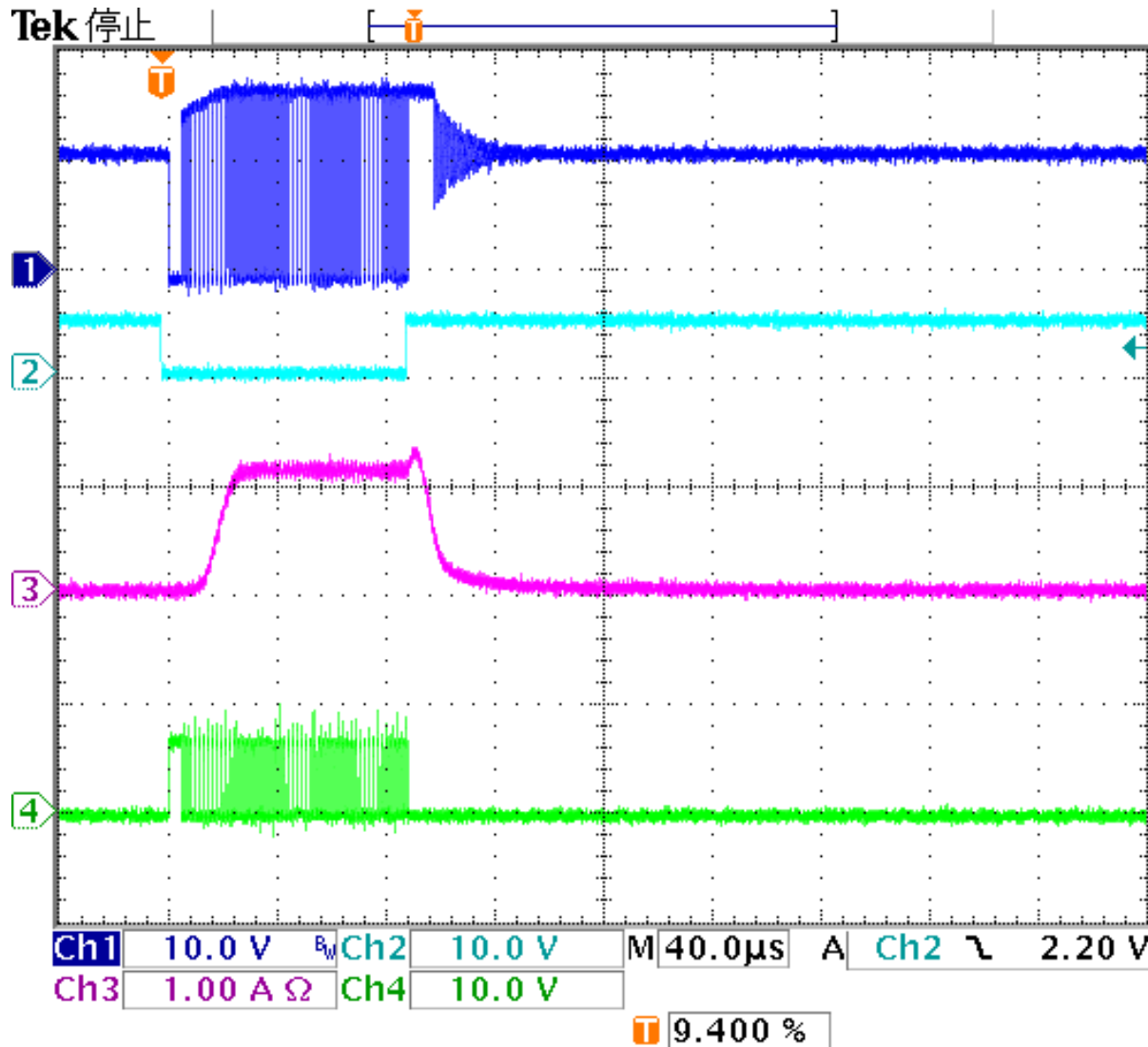
Measurement Point



Conditions

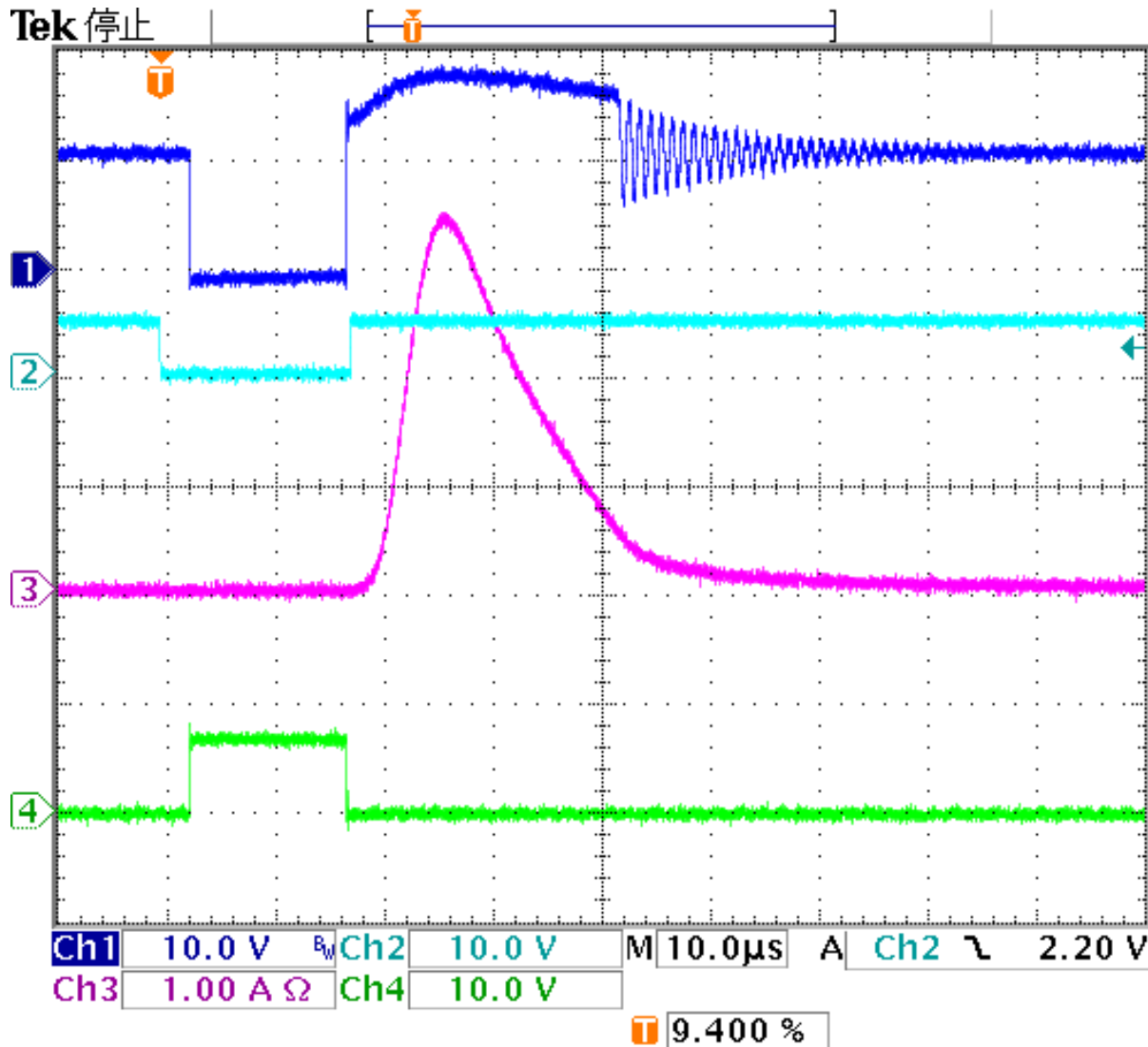
- $V_{in}=12V$
- $V_f=1V * 6\text{pcs}$
- $V_{out}=6V$
- $I_{LED}=1A$
- $L1=33\mu H$
- $F_{sw}=700\text{kHz}$
- $T_{pulse}=2 * I_{led} * V_o * L1 / V_{in}^2 = 2.75\mu s$

$T_{\text{pulse}} = 100\mu\text{s}$



26 Sep 2014
14:32:18

$T_{\text{pulse}} = 15 \mu\text{s}$



26 Sep 2014
14:34:33

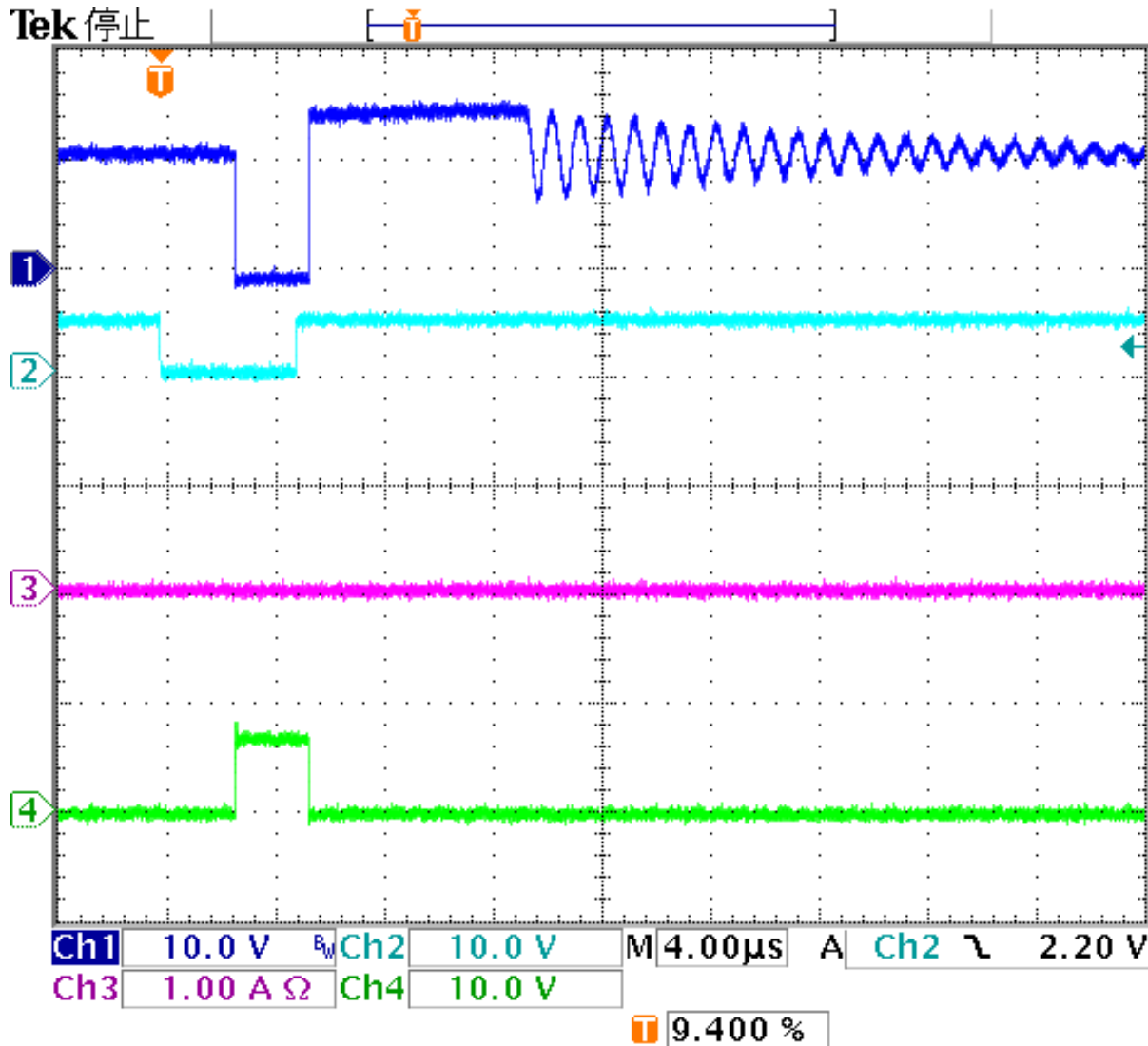
$T_{\text{pulse}}=5\mu\text{s}$

V_{SW}

V_{PWM}

I_{LED}

V_{GATE}



26 Sep 2014
14:33:57