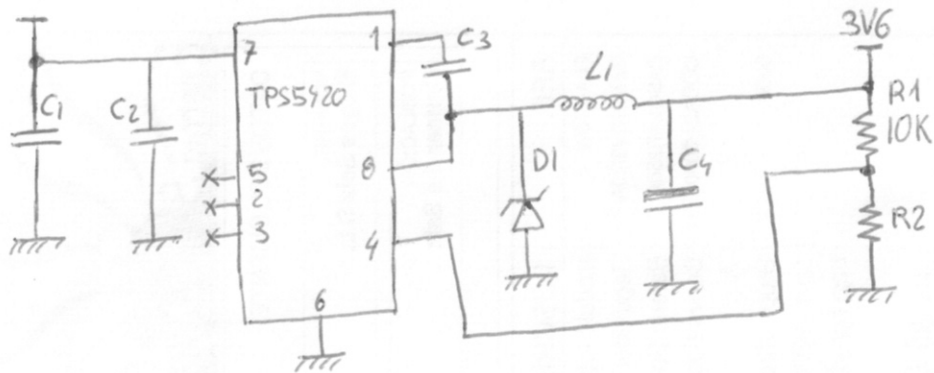


7-34V



C1- 0'01µF 50V

C2- 2'2µF 35V

C3- 0'01µF 50V

C4- 150µF 6'3V

R1- 10K

R2- 5'11K

D1- MBR340G 3A 40V

L1- 39µH 0'073 Ohms (Worth Power Inductors 745770139)