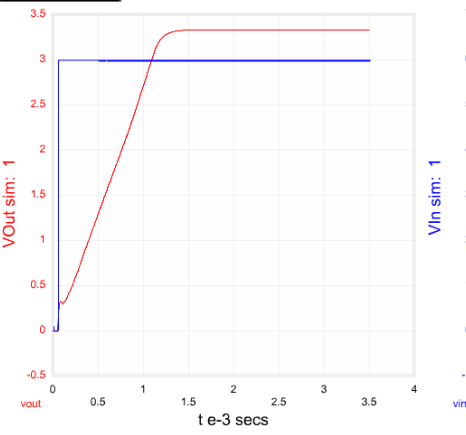
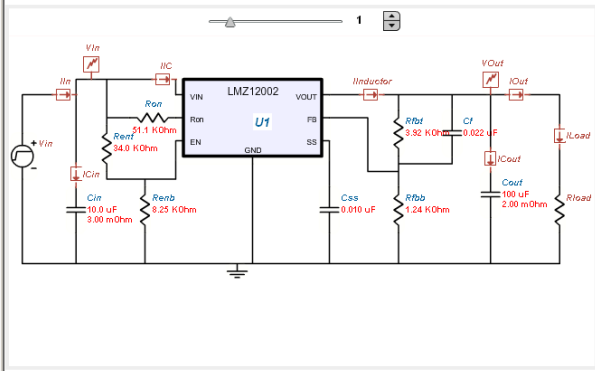


ELECTRICAL SIMULATIONS

Step 1: Select Simulation Type Startup

Step 2: Start New Simulation

Waveform Controls Ready. Zoom-in: Click and drag downward; zoom-out: click and drag upward.



Most Recent Simulation Simulation List

Simulations for your WEBENCH design 434

simId	Sim Type	Start Time	Status
2	Steady State	2012-07-25 09:39	Success
1	Startup	2012-07-25 09:34	Success

Active simId: 1
Startup
Status = Success

Messages

IcIn IcOut IIC Iin IInductor IOut Vin VOut ILoad