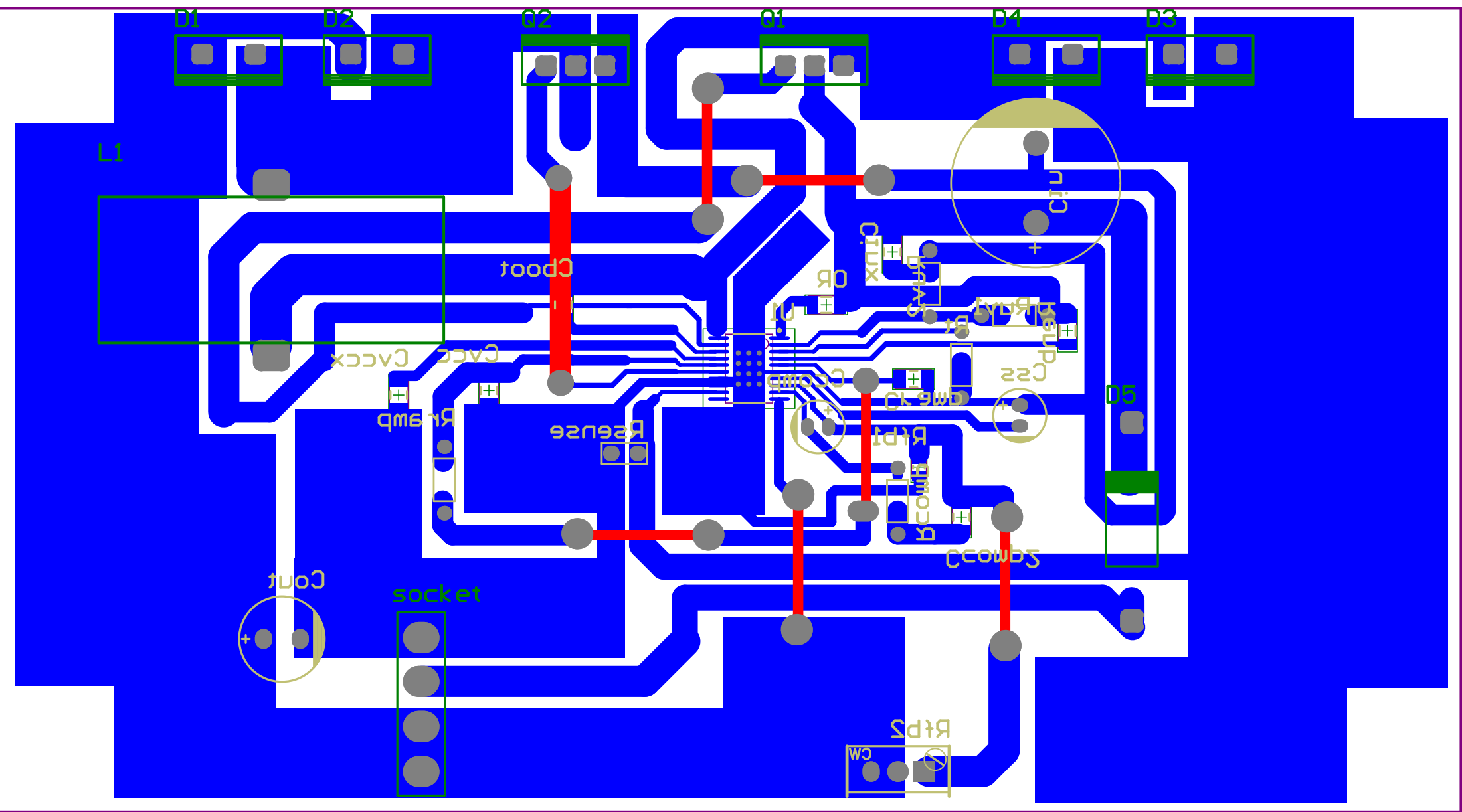


Title		
Size	Number	Revision
A4		
Date:	01/18/2013	Sheet of
File:	D:\ARM\tank3\tank.SchDoc	Drawn By:



Comment	Description	Designator	Footprint	LibRef	Quantity
	Resistor	0R, Renb	RES1206(3216X08L)	Res1	2
	Capacitor (Semiconductor SIM Model)	Cboot, Ccomp2, Cinx, Cramp, Cvcc, Cvccx	CAP1206(3216X15L)	Cap Semi	6
	Capacitor (Semiconductor SIM Model)	Ccomp, Css	cap01	Cap Semi	2
220uF	Polar Capacitor	Cin	CAP05	Cap-Polar	1
47uF	Polar Capacitor	Cout	cap03	Cap-Polar	1
MBR760	1 Amp General Purpose Rectifier	D1, D2, D3, D4	PCBComponent1	Diode1N4003	4
Diode?	1 Amp General Purpose Rectifier	D5	PCBComponent1	Diode1N4003	1
Inductor	Inductor	L1	PCBComponent1	Inductor	1
IRF2807	N-Channel MOSFET	Q1	PCBComponent1	MOSFET-N	1
IRFZ46N	N-Channel MOSFET	Q2	PCBComponent1	MOSFET-N	1
	Resistor	Rcomp, Rramp, Rt	Res(1/4)	Res1	3
1K	Resistor	Rfb1	RES0805(2012X06L)	Res1	1
21.5K	Variable Resistor	Rfb2	Multi Turn02	Resistor Variable	1
	Resistor	Rsense	Res(1/4)-Stand	Res1	1
37.4	Resistor	Ruv1	RES0805(2012X06L)	Res1	1
2.67K	Resistor	Ruv2	RES0805(2012X06L)	Res1	1
Header4H	Header4-Pin, Right Angle	socket	PCBComponent1	Header4H	1
LM5118MH	Wide Voltage Rang	U1	MXA20A_M	LM5118MH	1