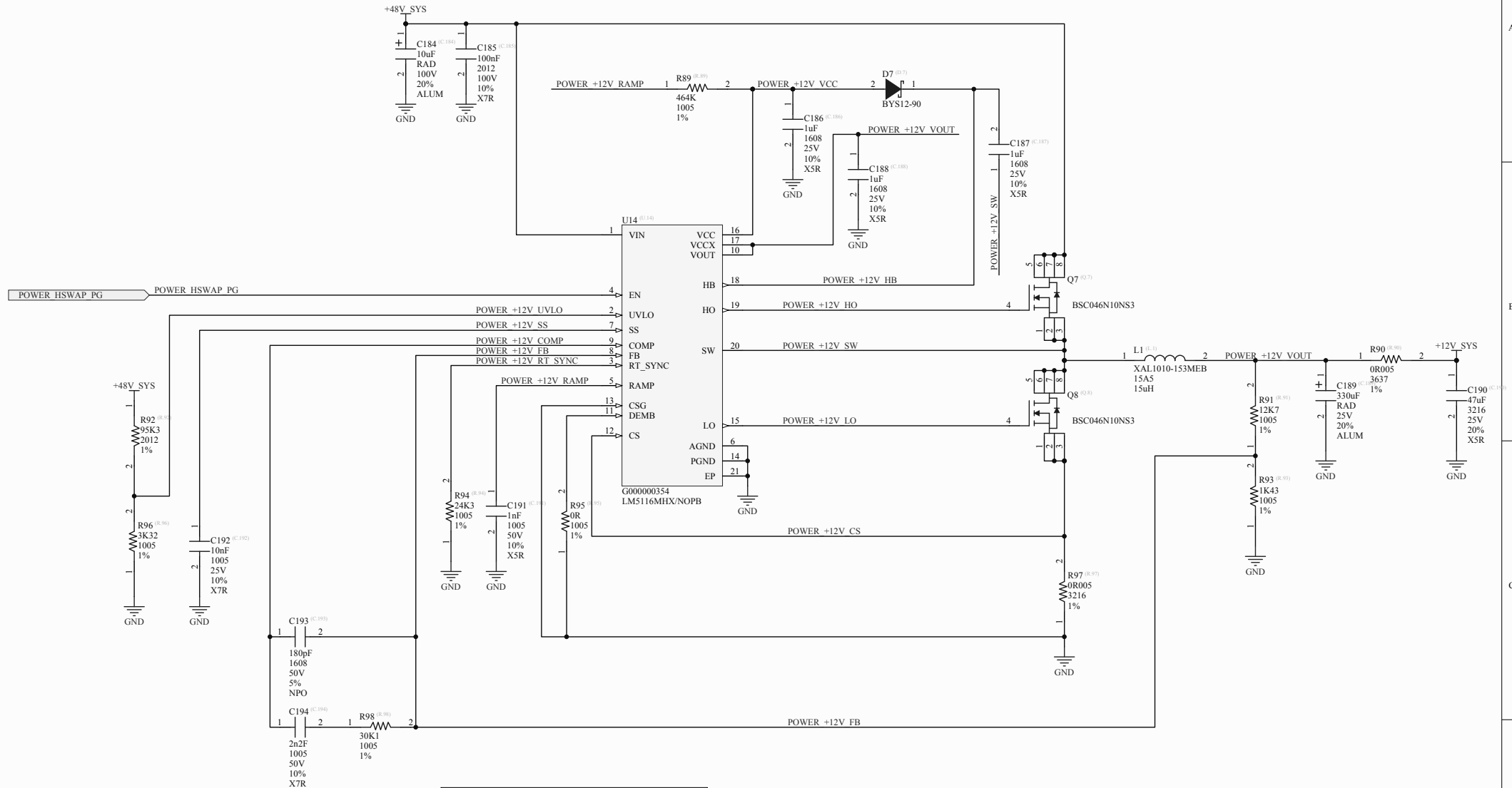


WIDE RANGE SYNCHRONOUS BUCK CONTROLLER

+48V



Notes :
 Note 1 : UVLO maximum voltage is 16V
 Note 2 : UVLO set to approx 36V