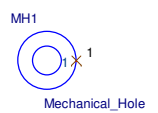
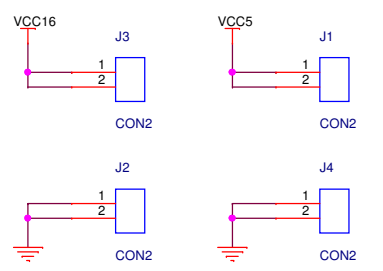
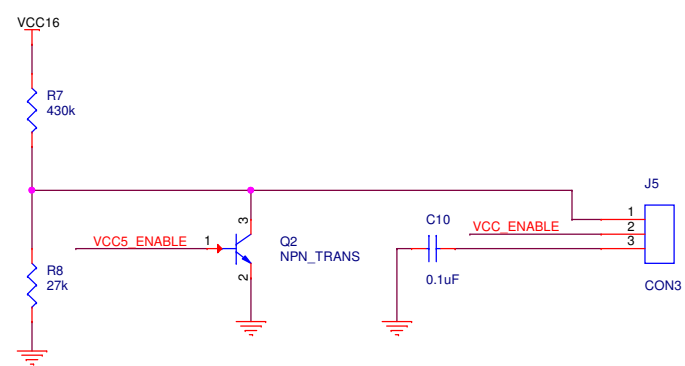
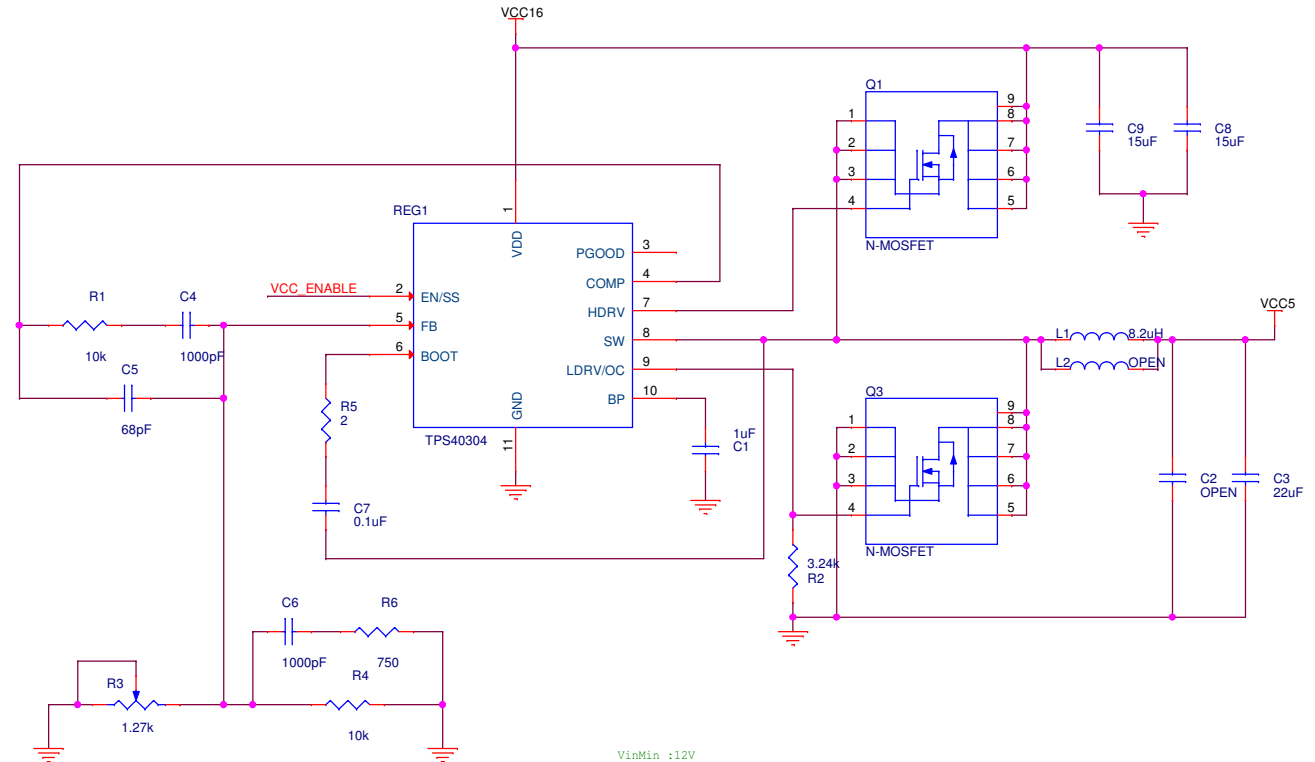
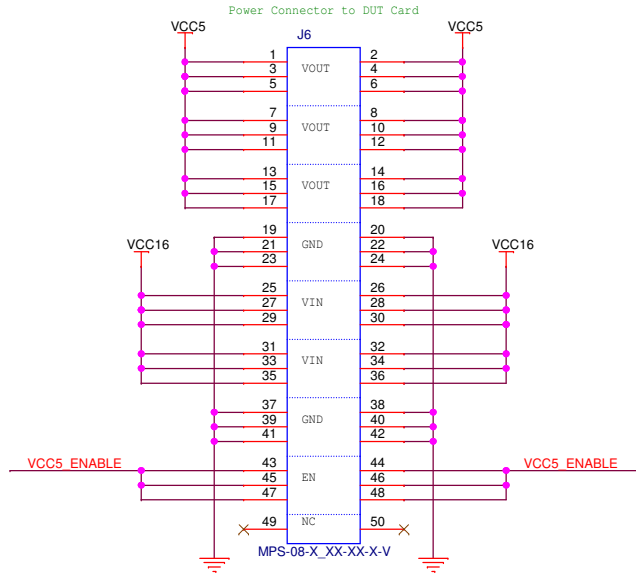


# Vcc5 Power



Title		
Standalone Power 5V		
Size	Document Number	Rev
B	1.0	1.0
Date:	Friday, October 28, 2011	Sheet 1 of 1