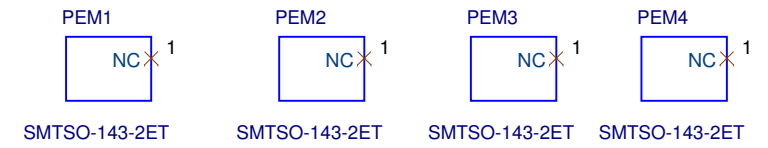


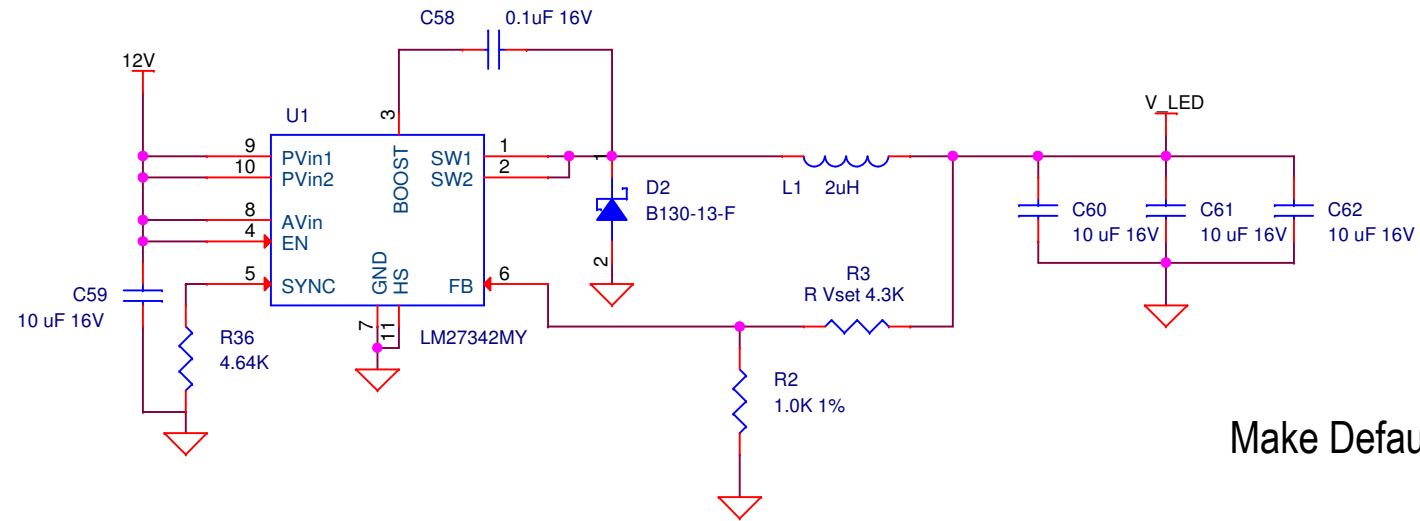
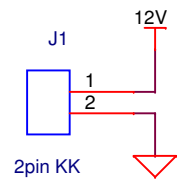
REV	Drawn	Description of change(s)	Date
A	DEN	Initial Drawing	3/13/14
A1	DEN	BOM Change only. Changing Rset resistor to 4.3K value after testing.	6/19/14

Table of Contents:

- 1. Cover Page
- 2. Main



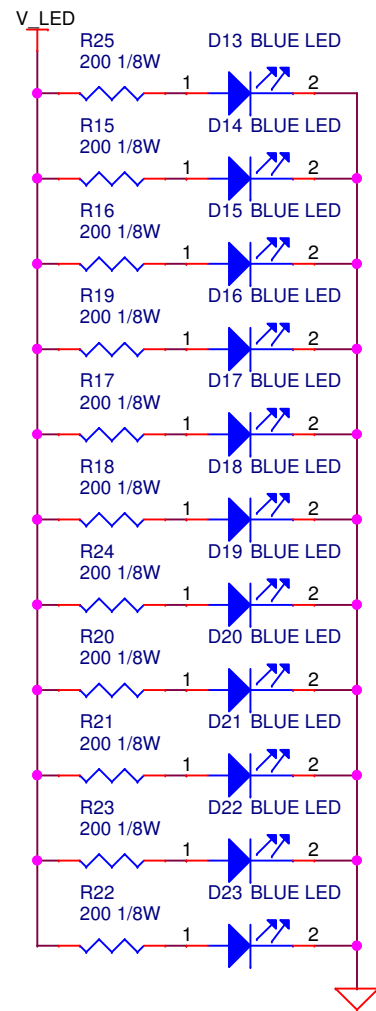
DRAWN Dave Nichols	DESIGN Dave Nichols	Odic Inc. 37 MacArthur Ave. Devens, MA 01434 Phone 978-487-1210		
MFG.	QA	Title <b>Catapult LED Illumination Board</b>		
PROJ. ENG.	CUST.	Size B	Document Number 196-01-002-SCH	Rev A1
APPVL.	APPVL.	Date: Thursday, June 19, 2014	Sheet 1 of 2	



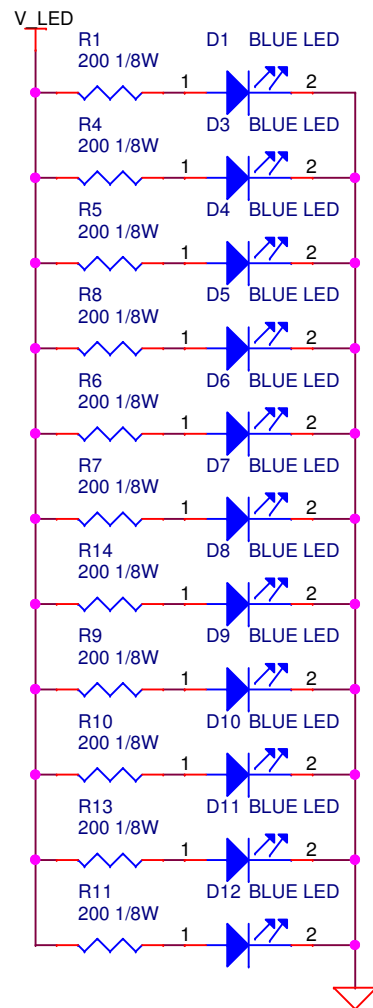
R Vset	Vled	I LED mA	apx bright mcd
7.32K	8.3	25	125
6.29K	7.3	20	100
5.36K	6.3	15	75
4.3K	5.3	10	50
3.3K	4.3	5	25

Make Default Value 4.3K for R3 (R Vset)

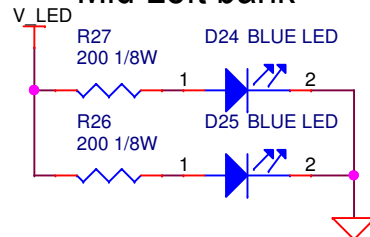
Top Left bank



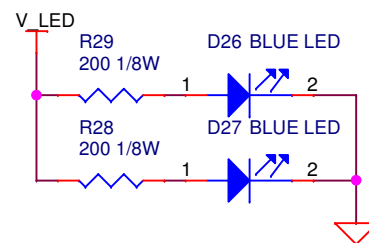
Top Right bank



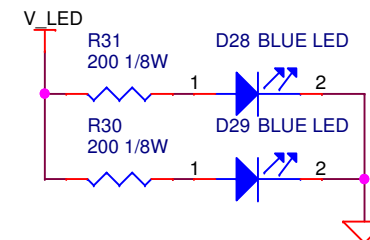
Mid Left bank



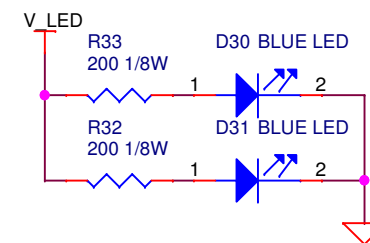
Mid Right bank



Bottom Left bank



Bottom Right bank



Title		
<b>Catapult LED Illumination Board</b>		
Size B	Document Number	Rev A1
	196-01-002-SCH	
Date:	Thursday, June 19, 2014	Sheet 2 of 2