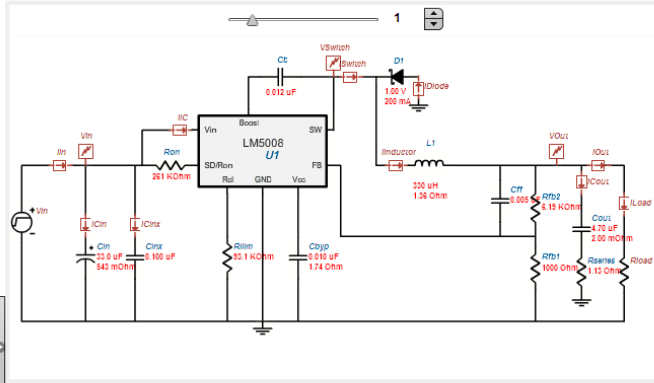


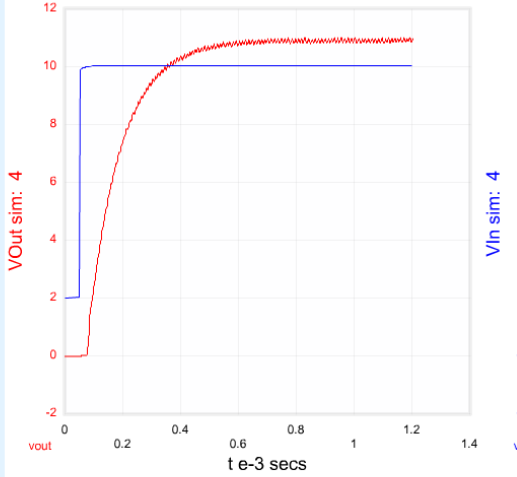
ELECTRICAL SIMULATIONS

Step 1: Select Simulation Type Startup

Step 2: Start New Simulation



Waveform Controls Ready. Zoom-in: Click and drag downward; zoom-out: click and drag upward.



Most Recent Simulation Simulation List

Simulations for your WEBENCH design 16

| simId | Sim Type     | Start Time       | Status  |
|-------|--------------|------------------|---------|
| 4     | Startup      | 2012-08-08 22:47 | Success |
| 3     | Steady State | 2012-08-08 22:45 | Success |
| 2     | Steady State | 2012-08-08 22:43 | Success |
| 1     | Startup      | 2012-08-08 22:41 | Success |

Active simId: 4  
Startup  
Status = Success

Messages

ICin ICinx ICout IDiode IIC IIn Inductor IOut ISwitch Vin VOut VSwitch