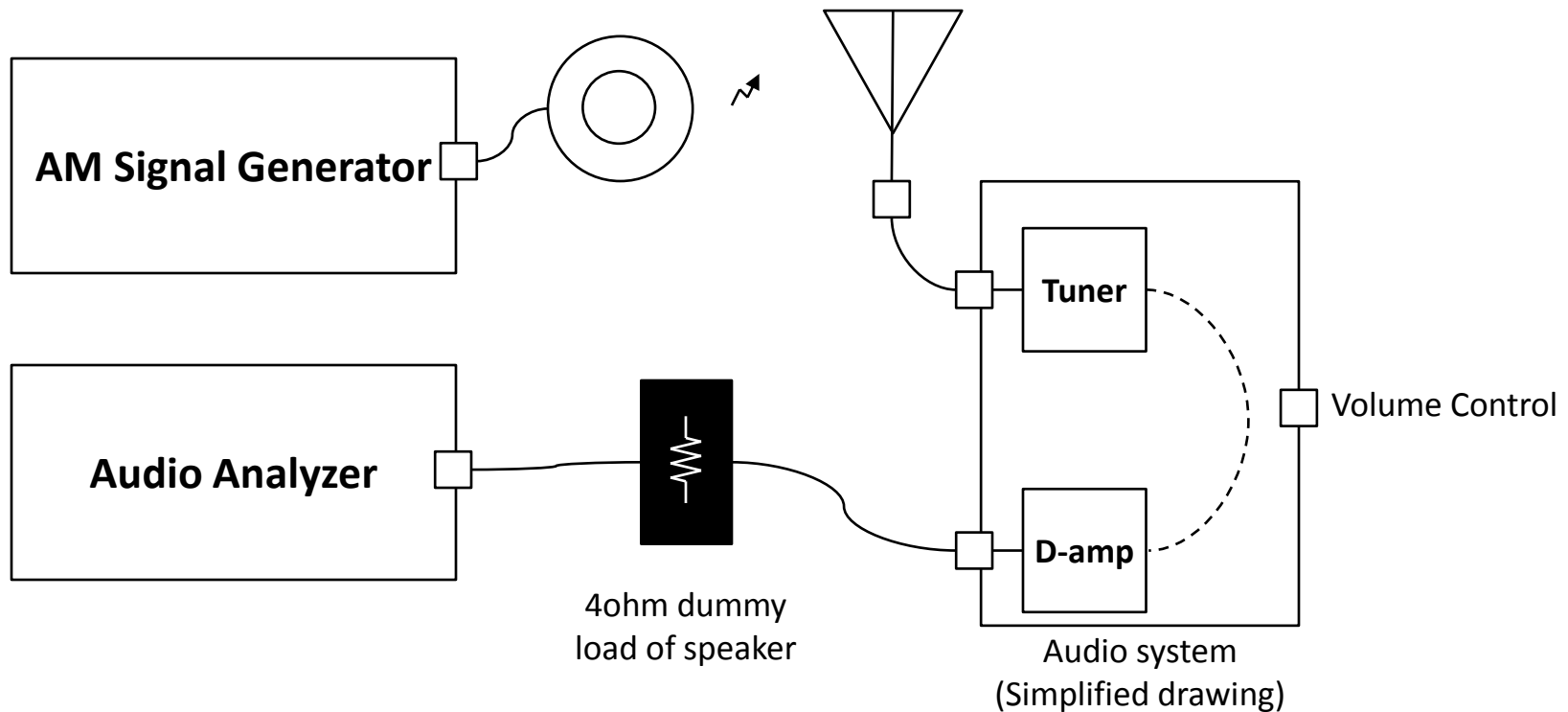
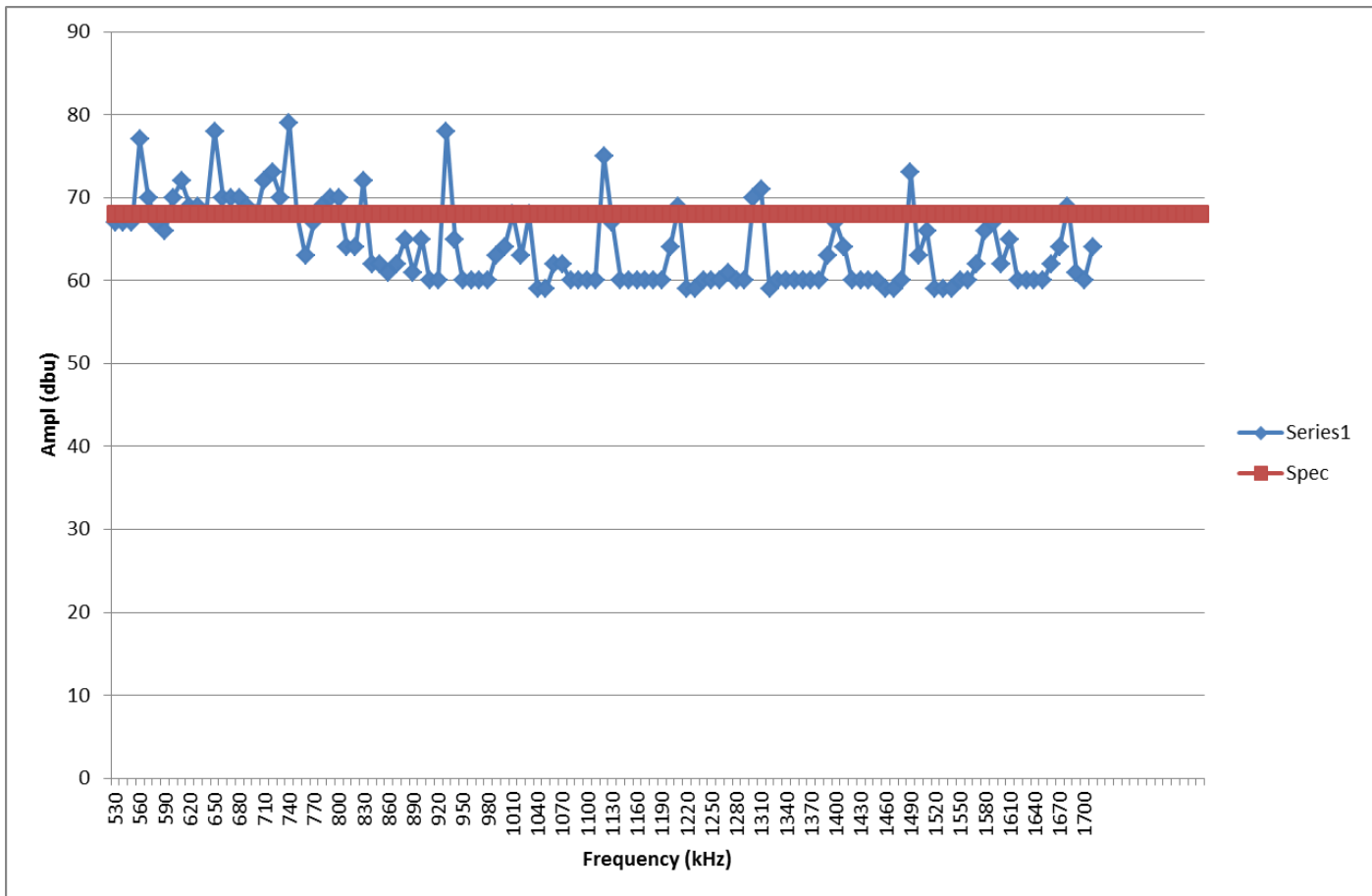


# Test Setup



1. AM signal generator generates AM signal for the audio system
2. Adjust the volume to get **10dBm** out from 4ohm dummy load (This output signal is used as reference point of noise measurement.)
3. Turn of the AM signal generator and measure output signal again.
4. Noise level of #3 should be 20dBm lower than #2 (for this case, 68dBu is criteria)

Frequency (kHz)	Ampl (dbu)
530	67
540	67
550	67
560	77
570	70
580	67
590	66
600	70
610	72
620	69
630	69
640	68
650	78
660	70
670	70
680	70
690	69
700	68
710	72
720	73
730	70
740	79
750	68
760	63
770	67
780	69
790	70
800	70
810	64
820	64
830	72
840	62
850	62
860	61
870	62



- 10kHz per step, range is 530Khz to 1710kHz
- 9kHz per step, range is 531Khz to 1710kHz

AM Beat Measurement	
Spec	<68dBuV
Indicator:	OK
	Marginal
	NG