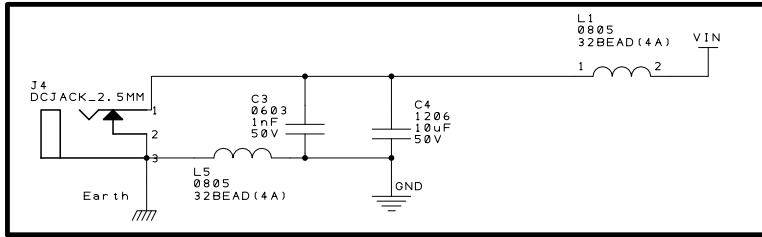
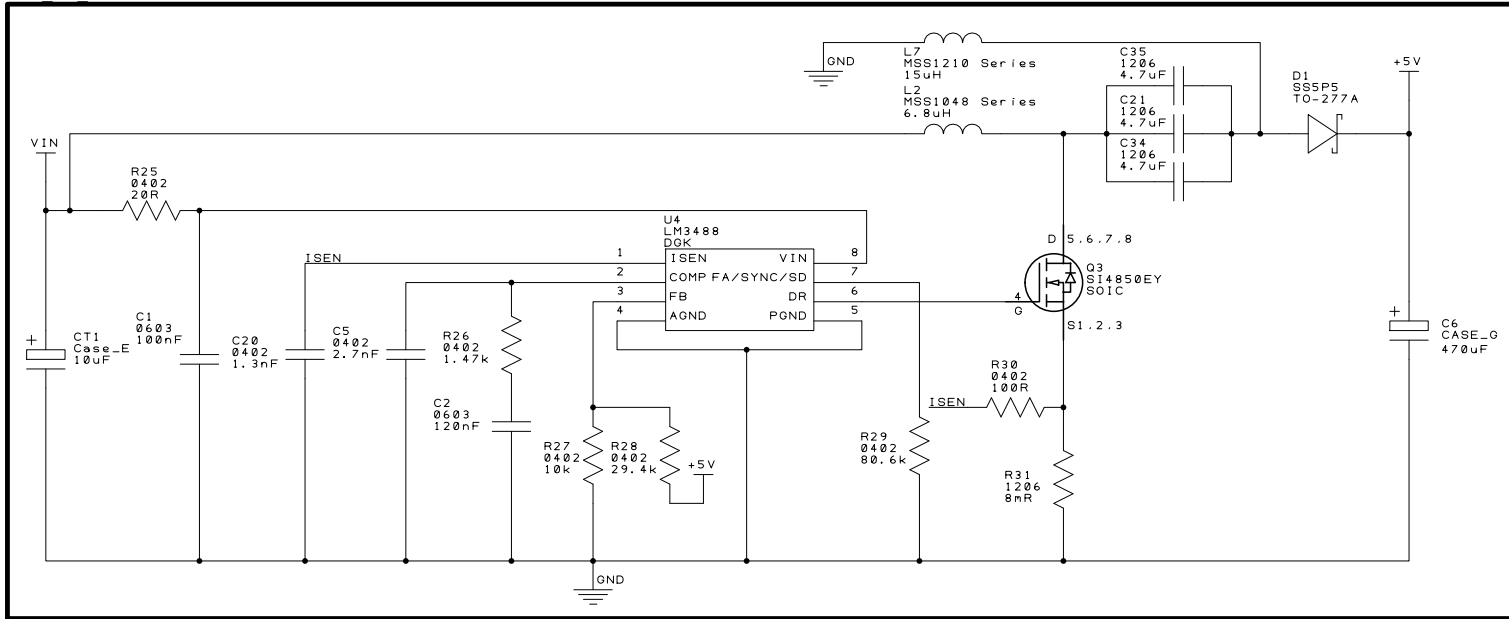


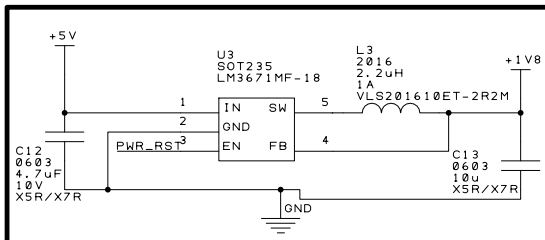
DC_IN



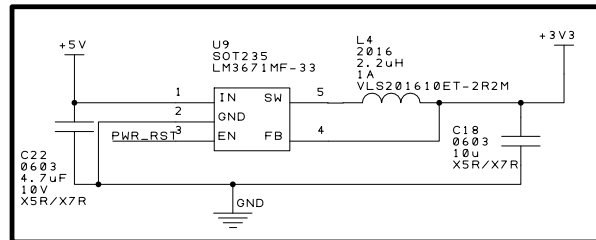
VIN TO 5V



5V_TO_1V8



5V_TO_3V3



E	D	C	B	A	Drawn	Check	Projection		Do Not Scale
Drn	Drn	Drn	Drn	Project			Client		
Chk	Chk	Chk	Chk	Title			Filename	Drawing No.	Sheet of