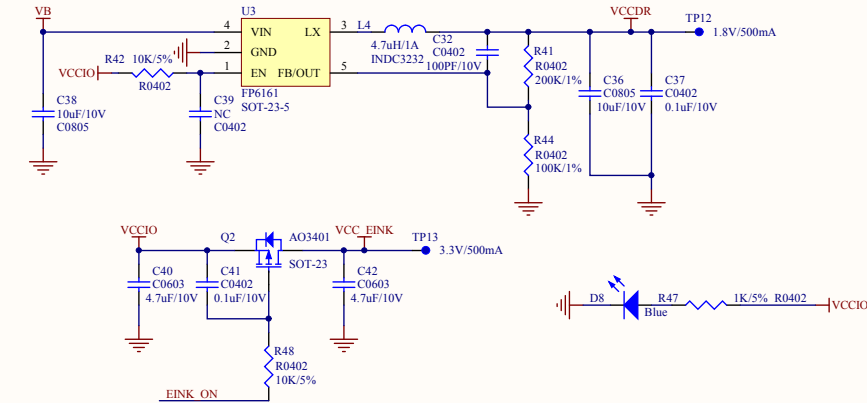
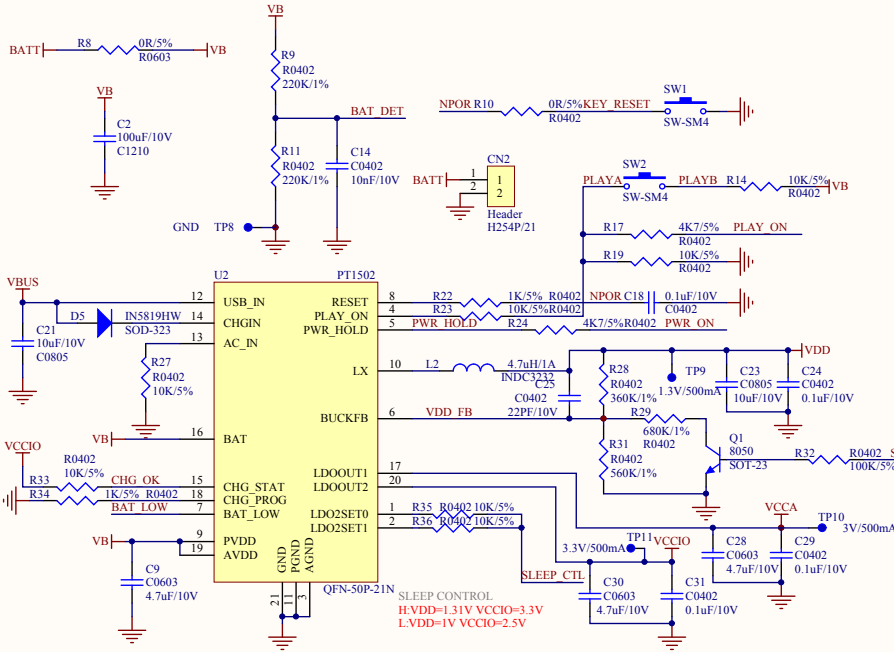
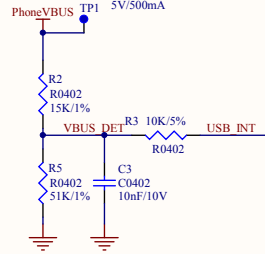


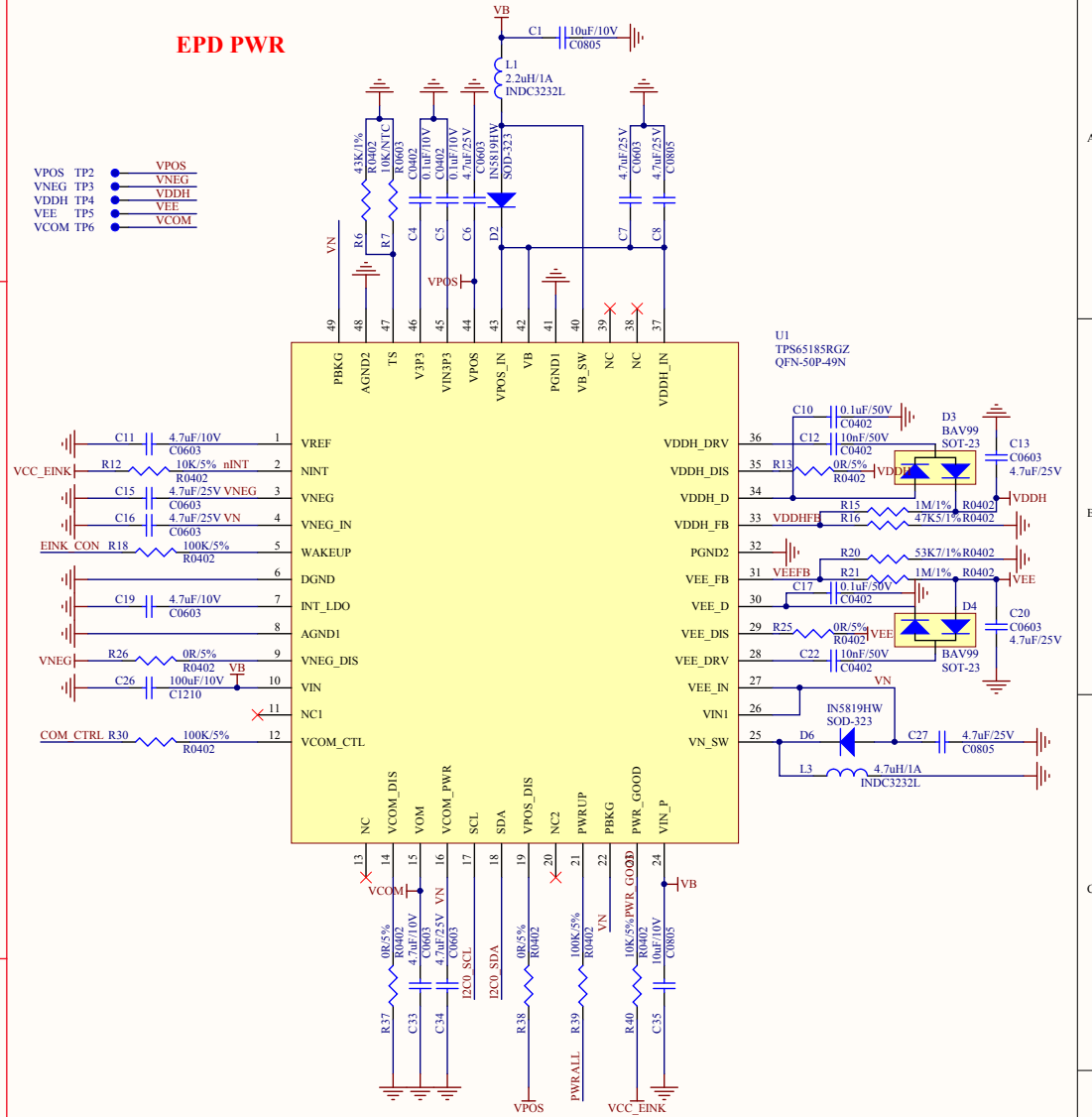
CN1	
0	GND
1	PLAYA
2	PLAYB
3	RECOVER
4	PAGEDOWN
5	GND

Header



## EPD PWR

- VPOS TP2
- VNEG TP3
- VDDH TP4
- VEE TP5
- VCOM TP6



Title		
Size	Number	Revision
A3		
Date:	2014/6/12	Sheet of
File:	C:\Users\12\POWER MANAGEMENT S	Drawn By: