

TI UHF EPC readers

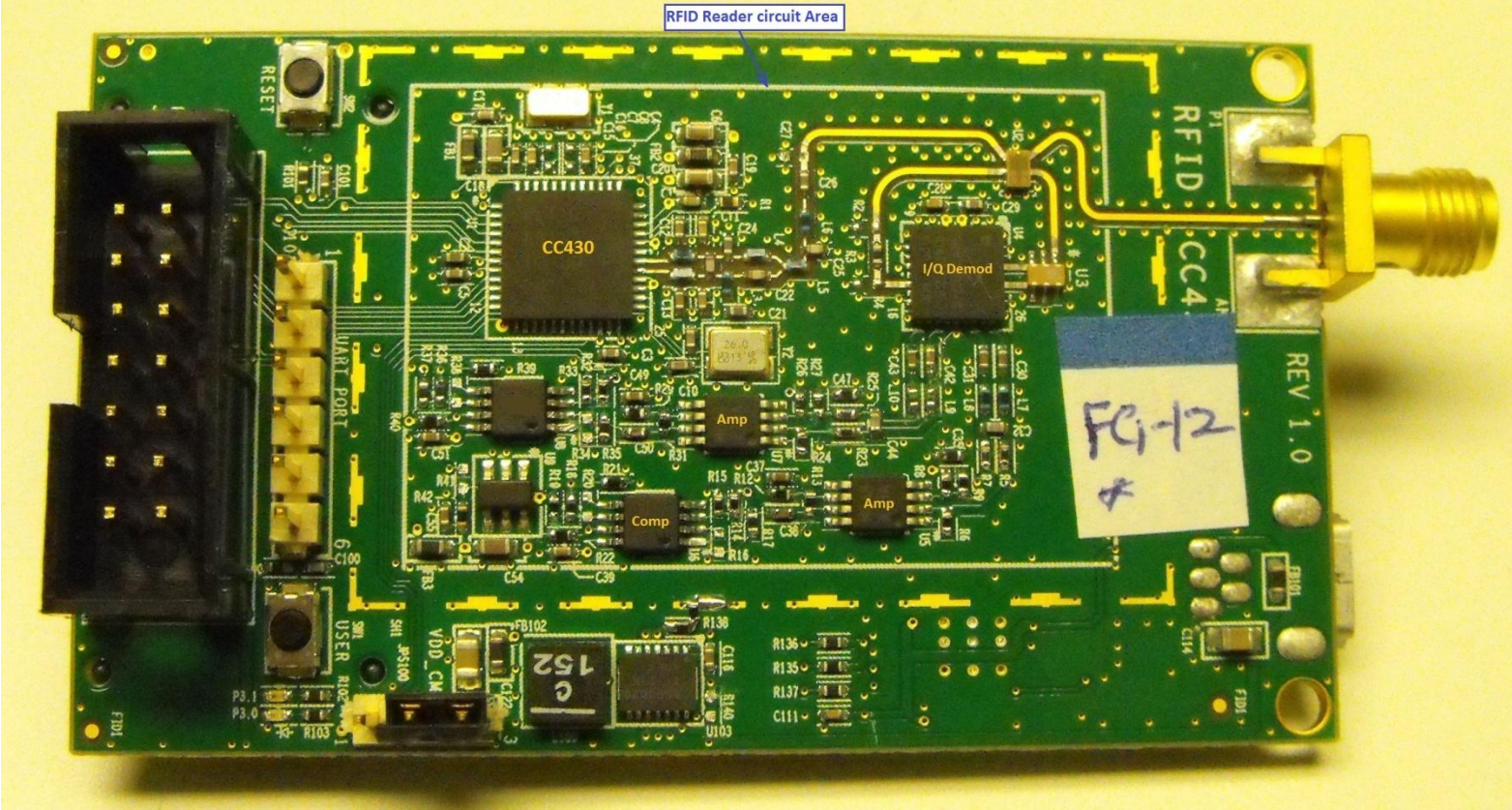
TI MCU and LPRF

June 2012

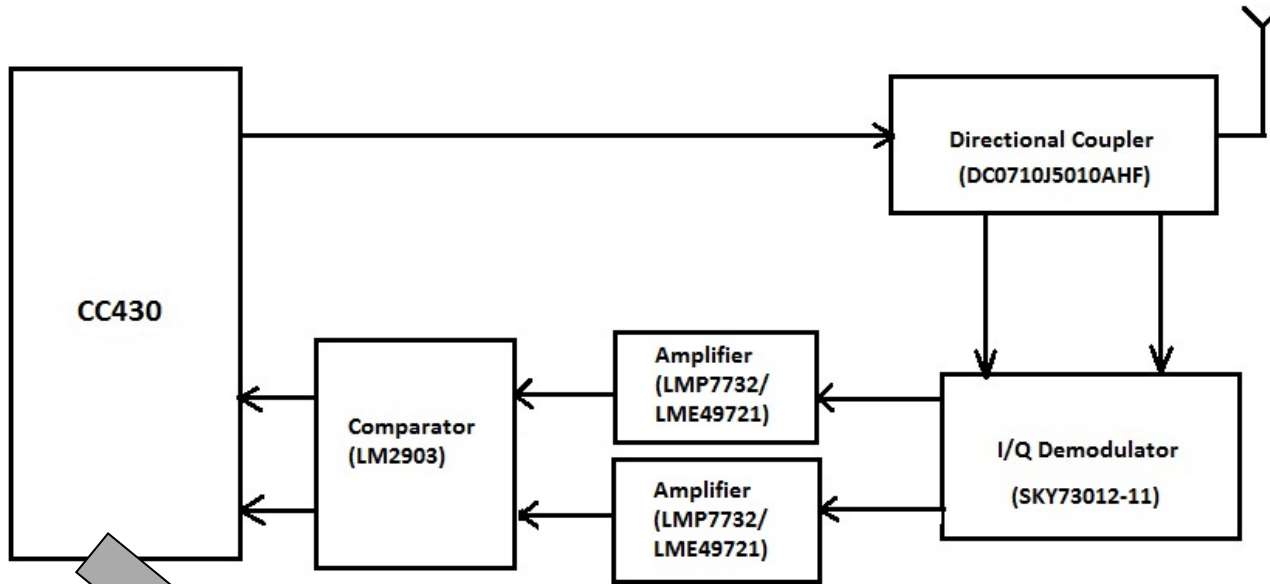
Agenda

- RFID Reader Prototype
- Reference design Block diagram
- BOM
- Options for Flexibility

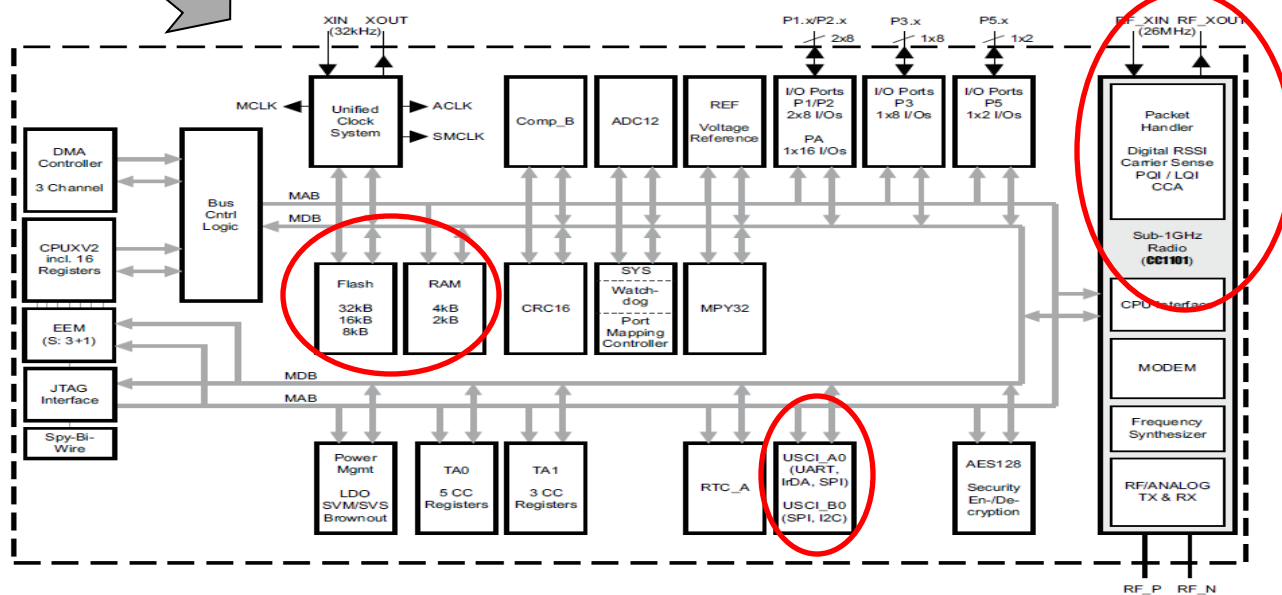
RFID Reader Prototype Board



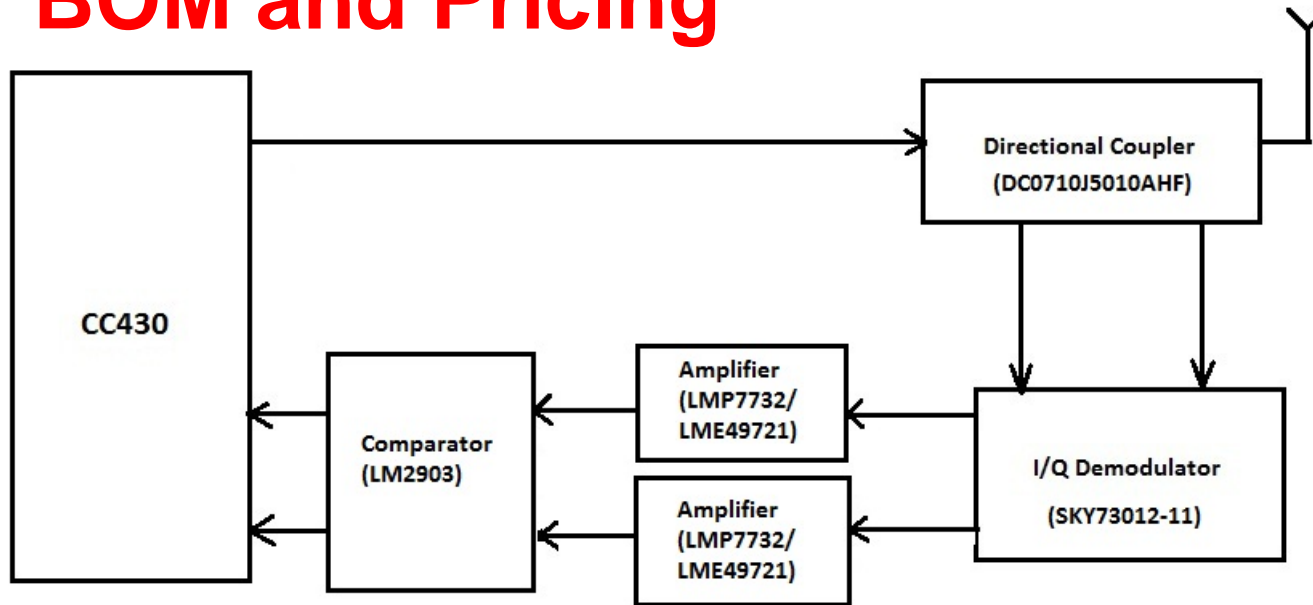
CC430 (SOC) Based Reference Design



CC430F513x Functional Block Diagram



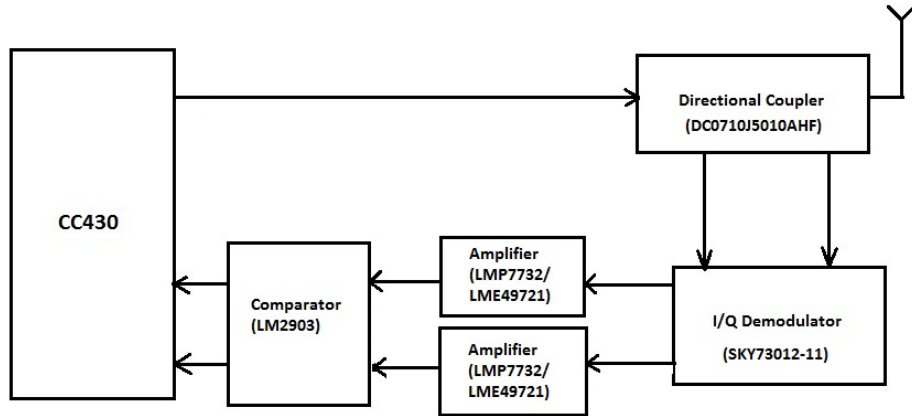
BOM and Pricing



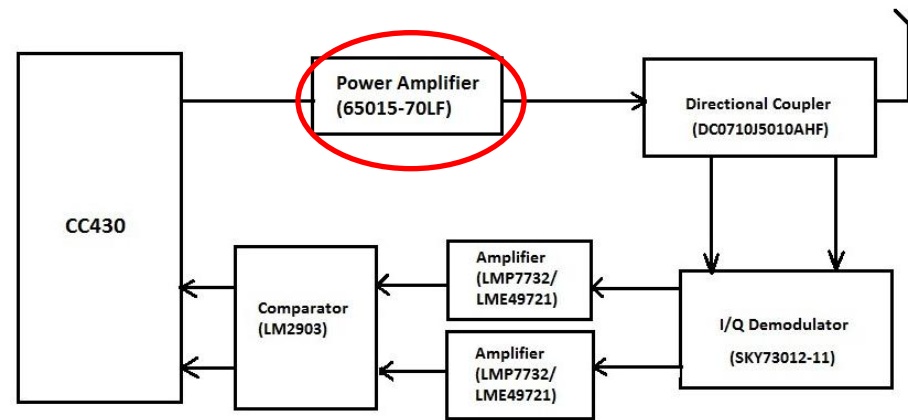
Manufacturer	Manufacturer Part Number	QTY	Price/Unit \$ @ 100KU	Total Price \$	Price/Unit \$ @ 1MU	Total Price \$
Texas Instruments	CC430F5137IRGZ	1	\$	\$	\$	\$
Skyworks Solutions Inc	SKY73012-11	1	\$	\$	\$	\$
Texas Instruments	LME49721MAX	2	\$	\$	\$	\$
Texas Instruments	LM2903DGK	1	\$	\$	\$	\$
				\$		\$

Additional Options – Flexibility with Minimal BOM Impact

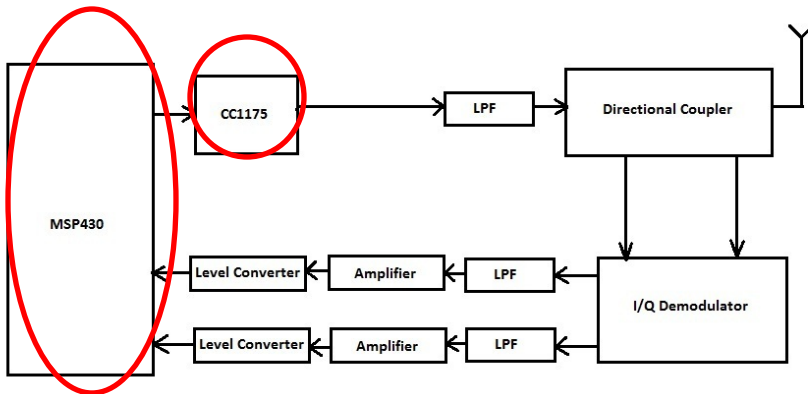
CC430 (SOC)



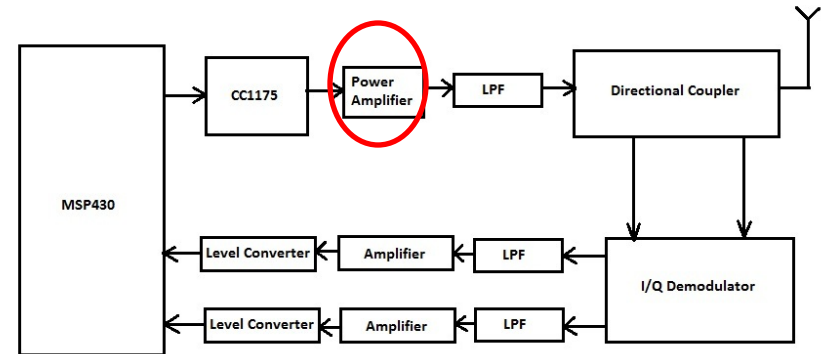
CC430 (SOC) with PA



CC1175 + MSP430



CC1175 + MSP430 + PA



BACKUP slides